

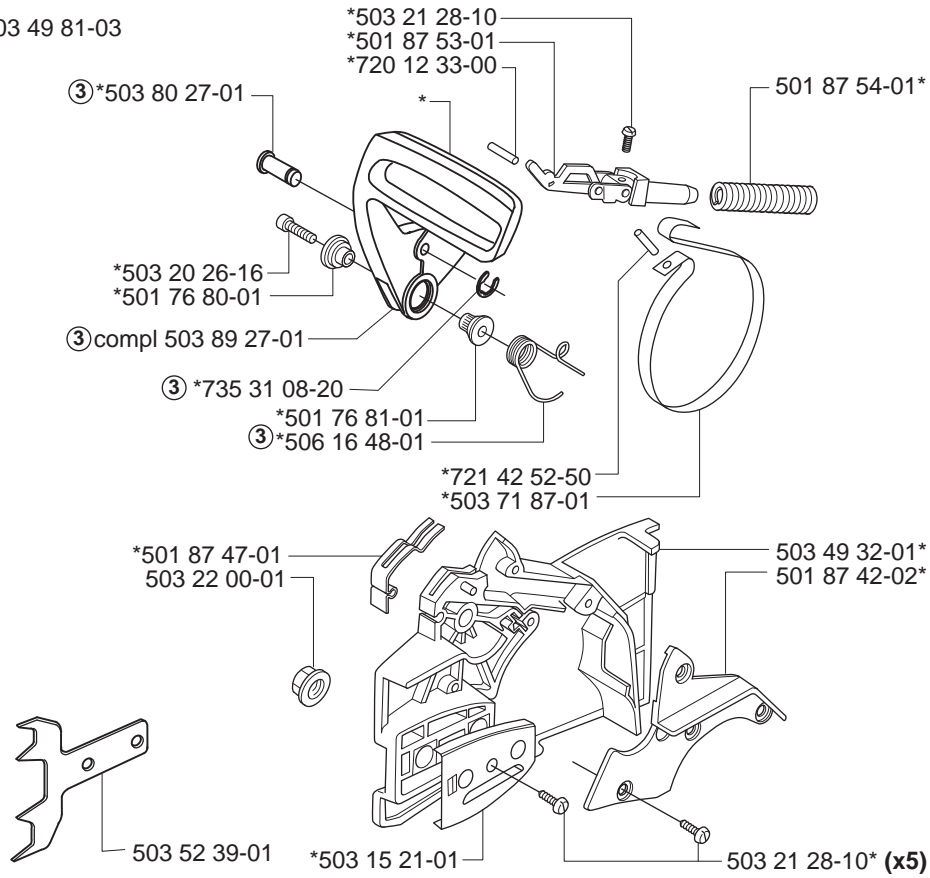
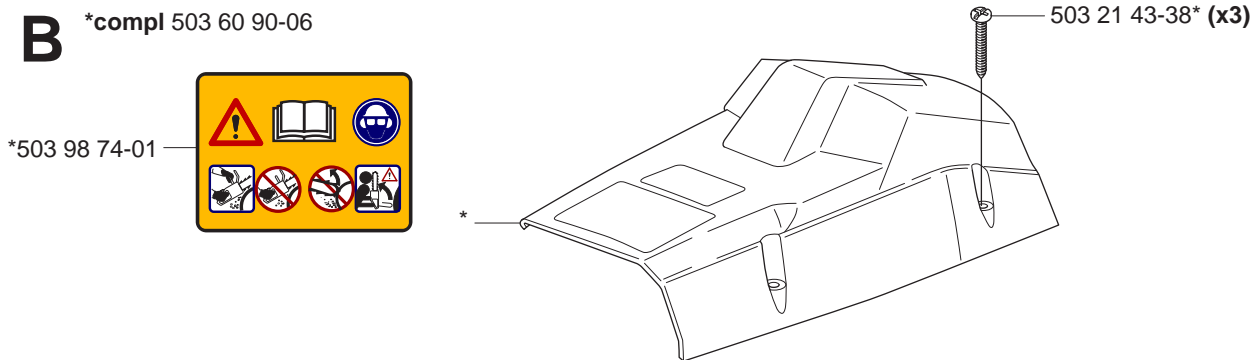
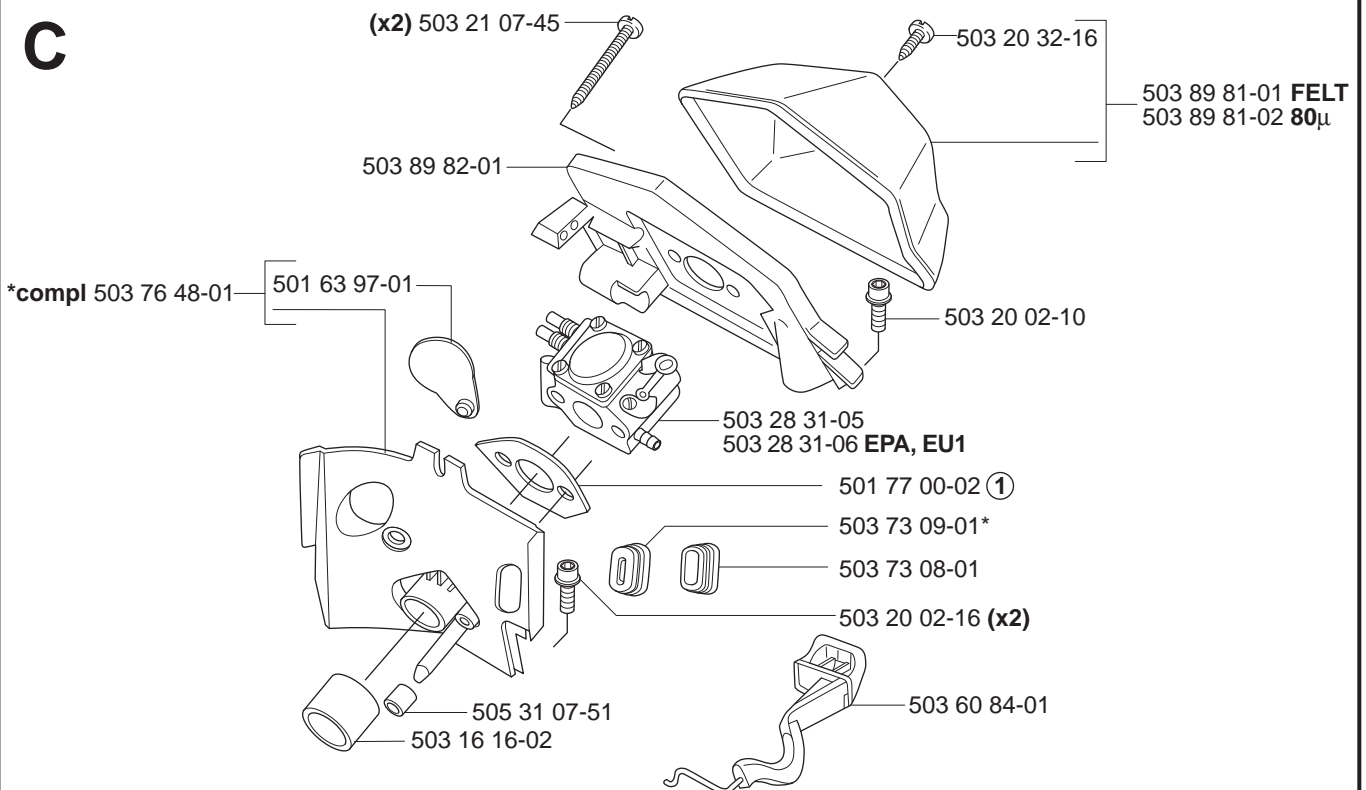
55

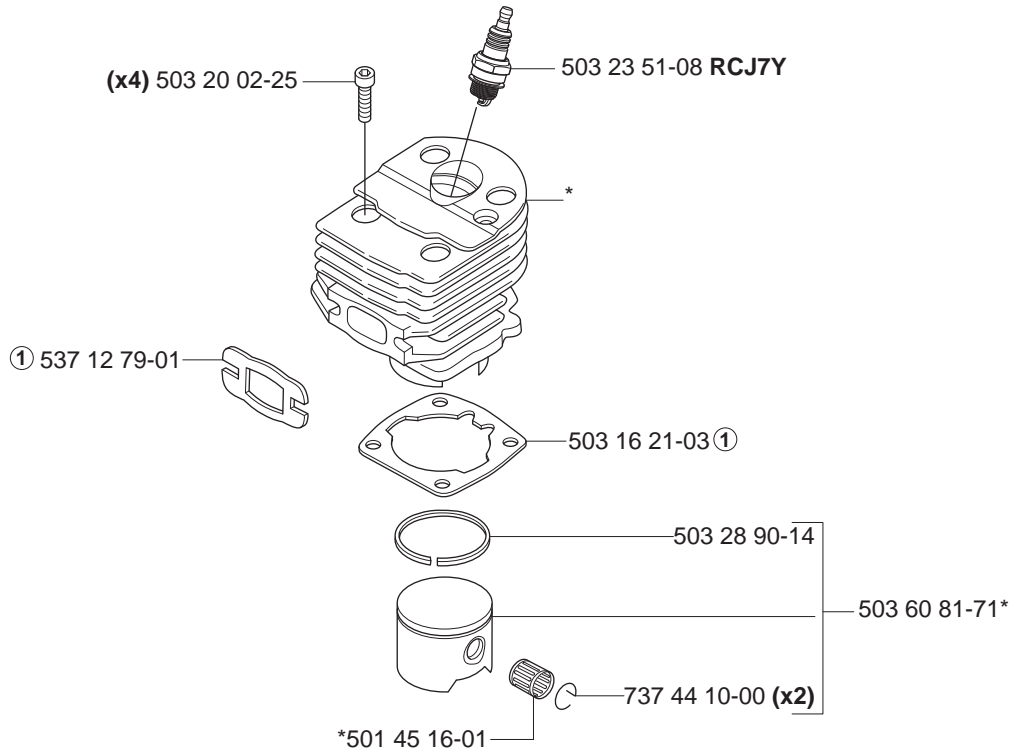
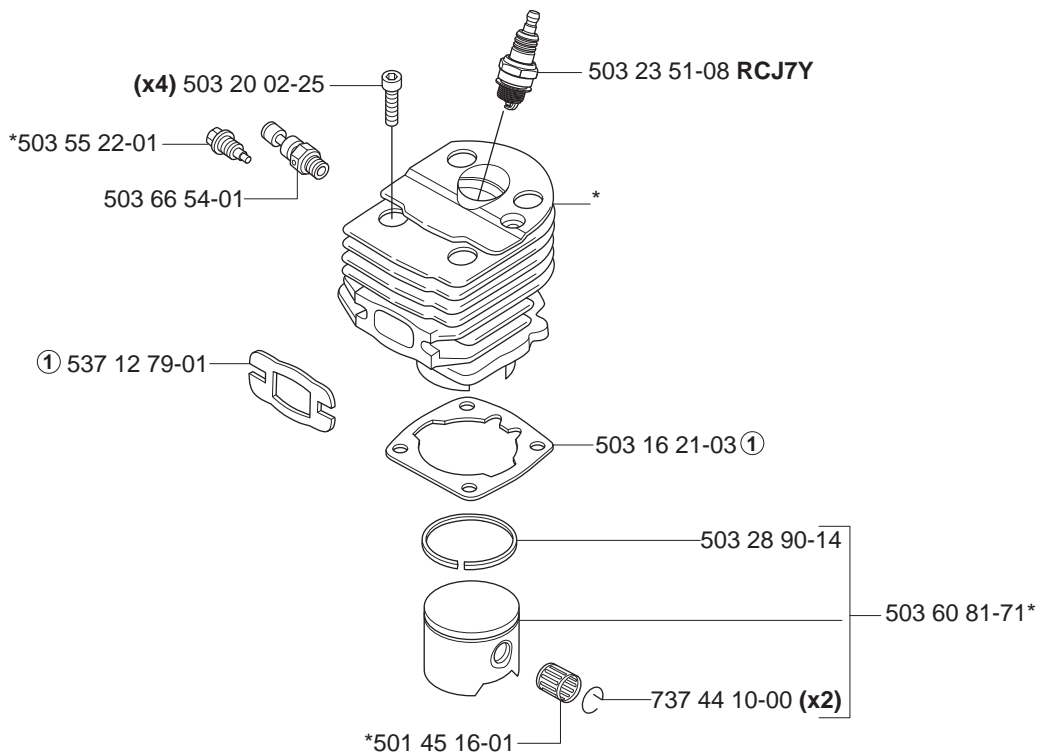
55 Rancher EPA

55 EU1

Spare parts	Replaces
Ersatzteile	Ersetzt
Pièces détachées	Remplace
Reserve onderdelen	Vervangt
Repuestos	Reemplaza
Reservdelar	Ersätter

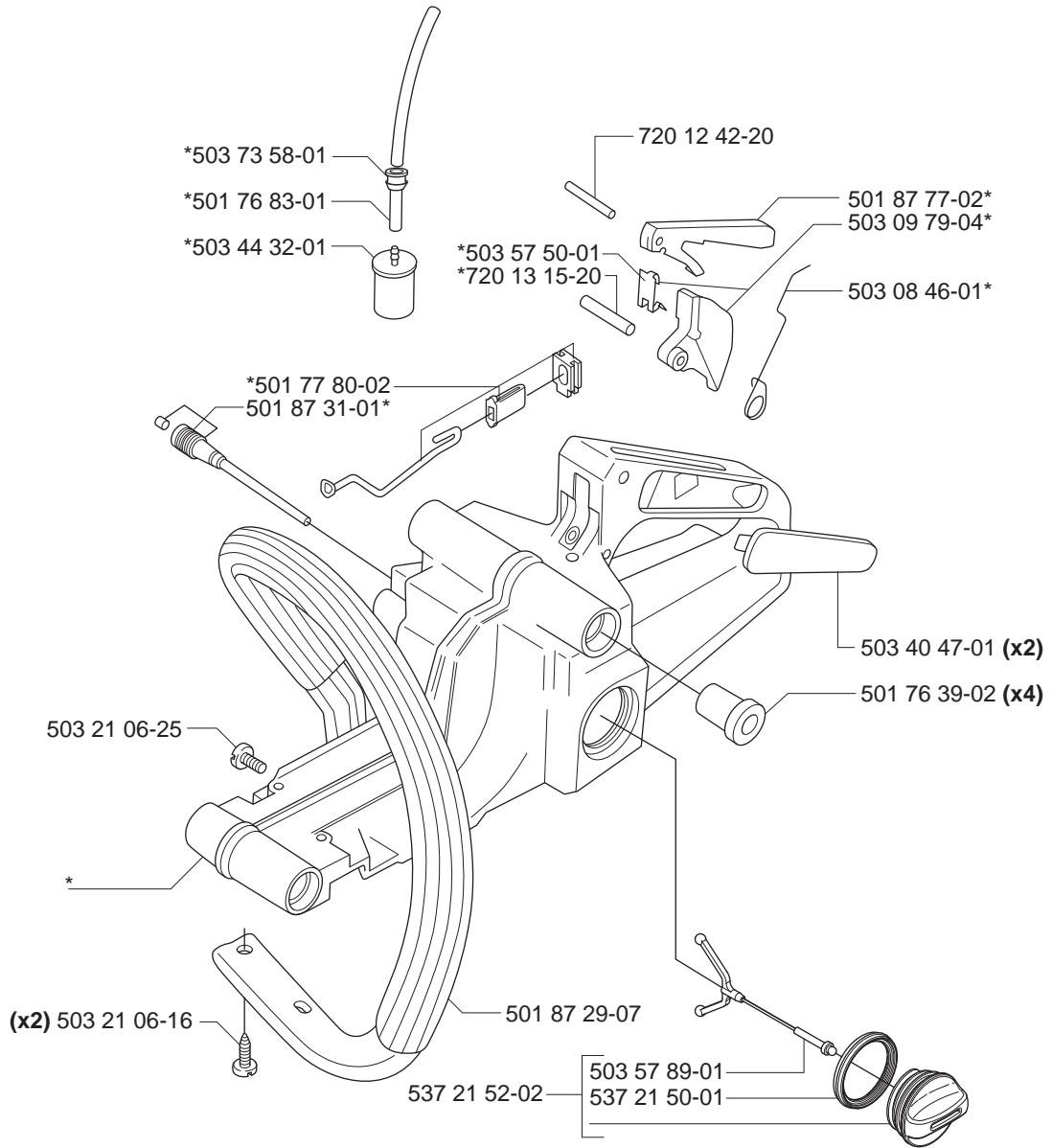
544 08 69-01

A***compl 503 49 81-03****B*****compl 503 60 90-06****C**

D***compl 503 60 91-72 EPA, EU1****D*****compl 503 60 91-71**

E

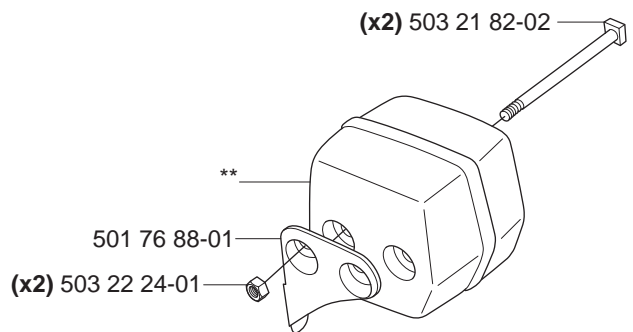
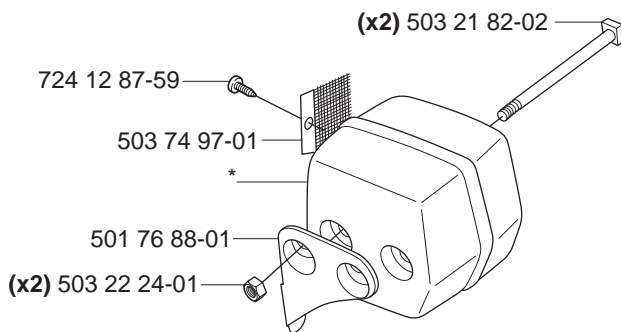
*compl 501 76 13-10



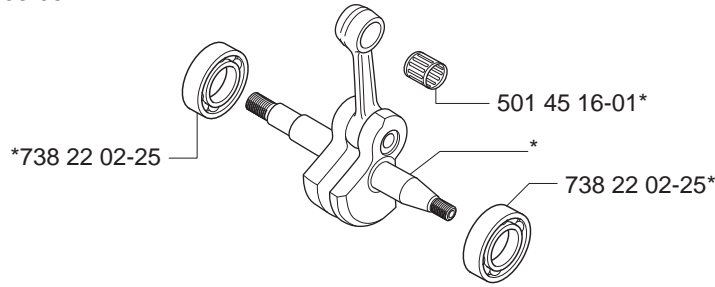
F

*compl 503 74 91-03 (FF) EPA, EU1

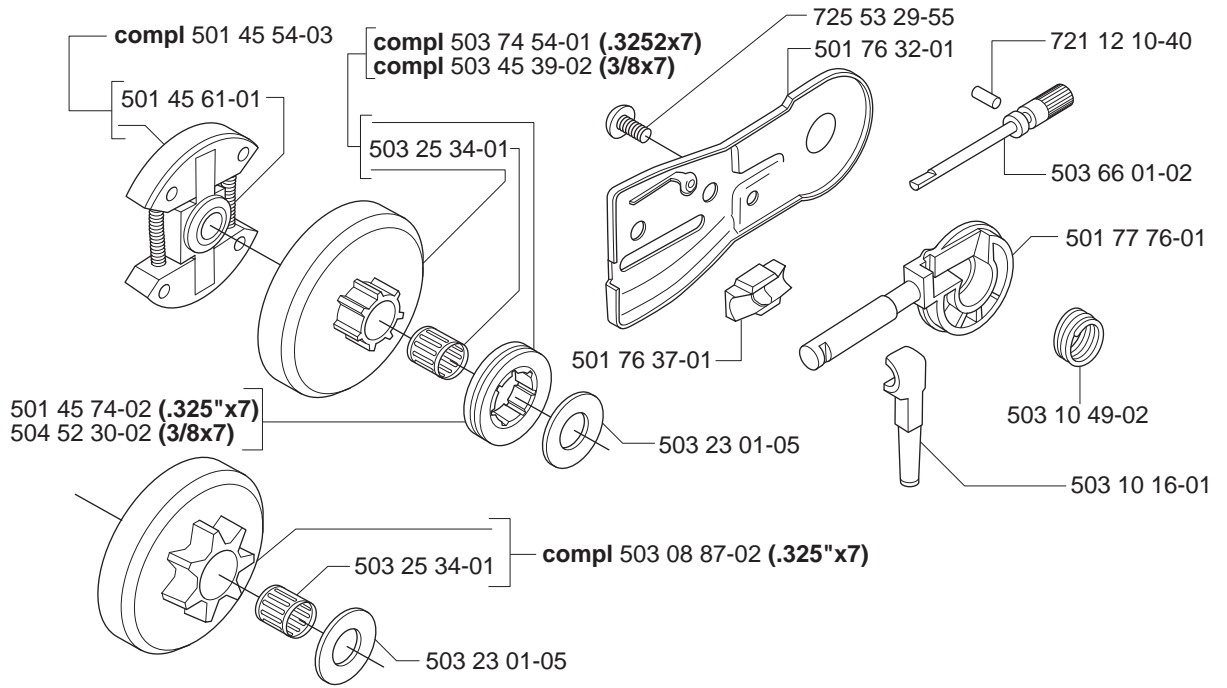
**compl 501 76 66-05 (FG)



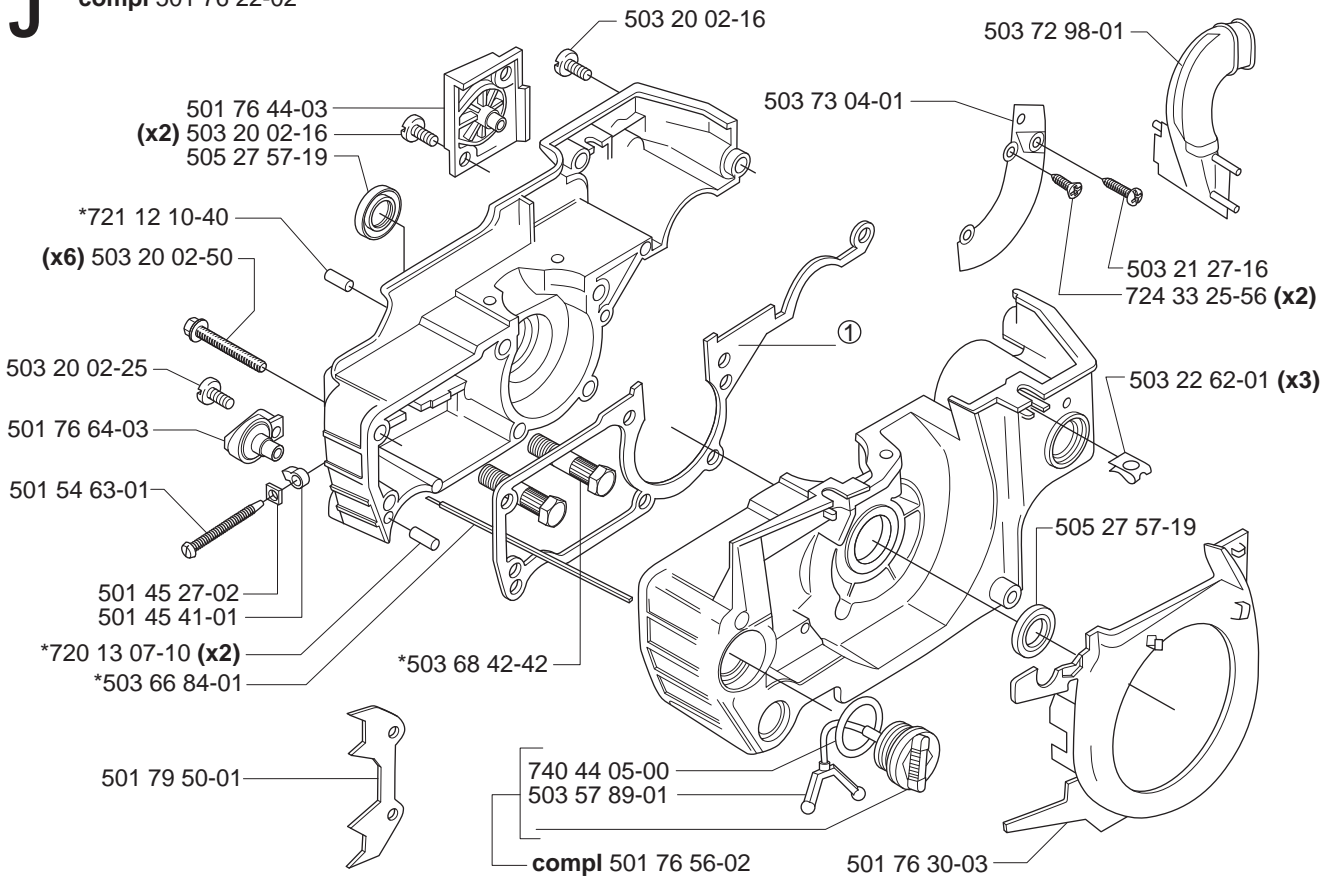
G *compl 503 57 38-06



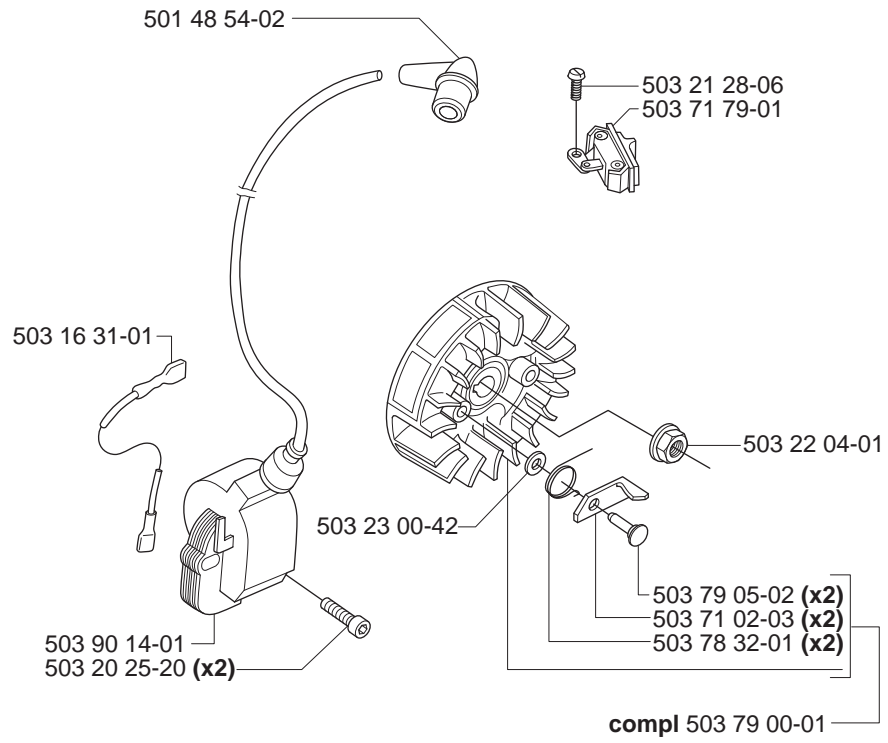
H



J *compl 501 76 22-02

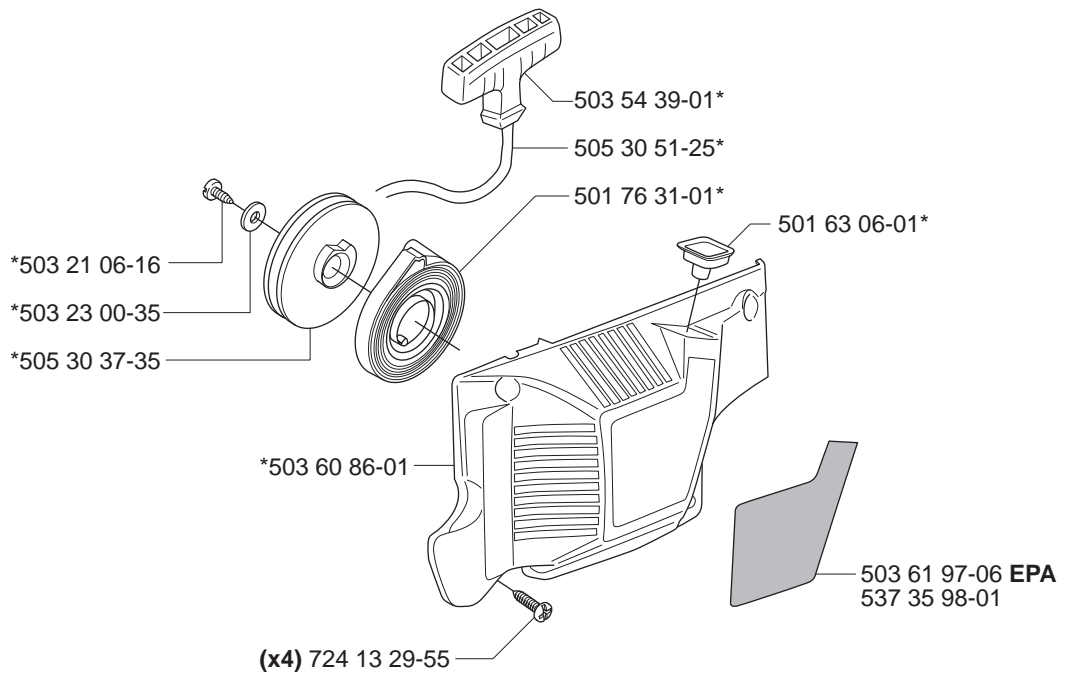


K



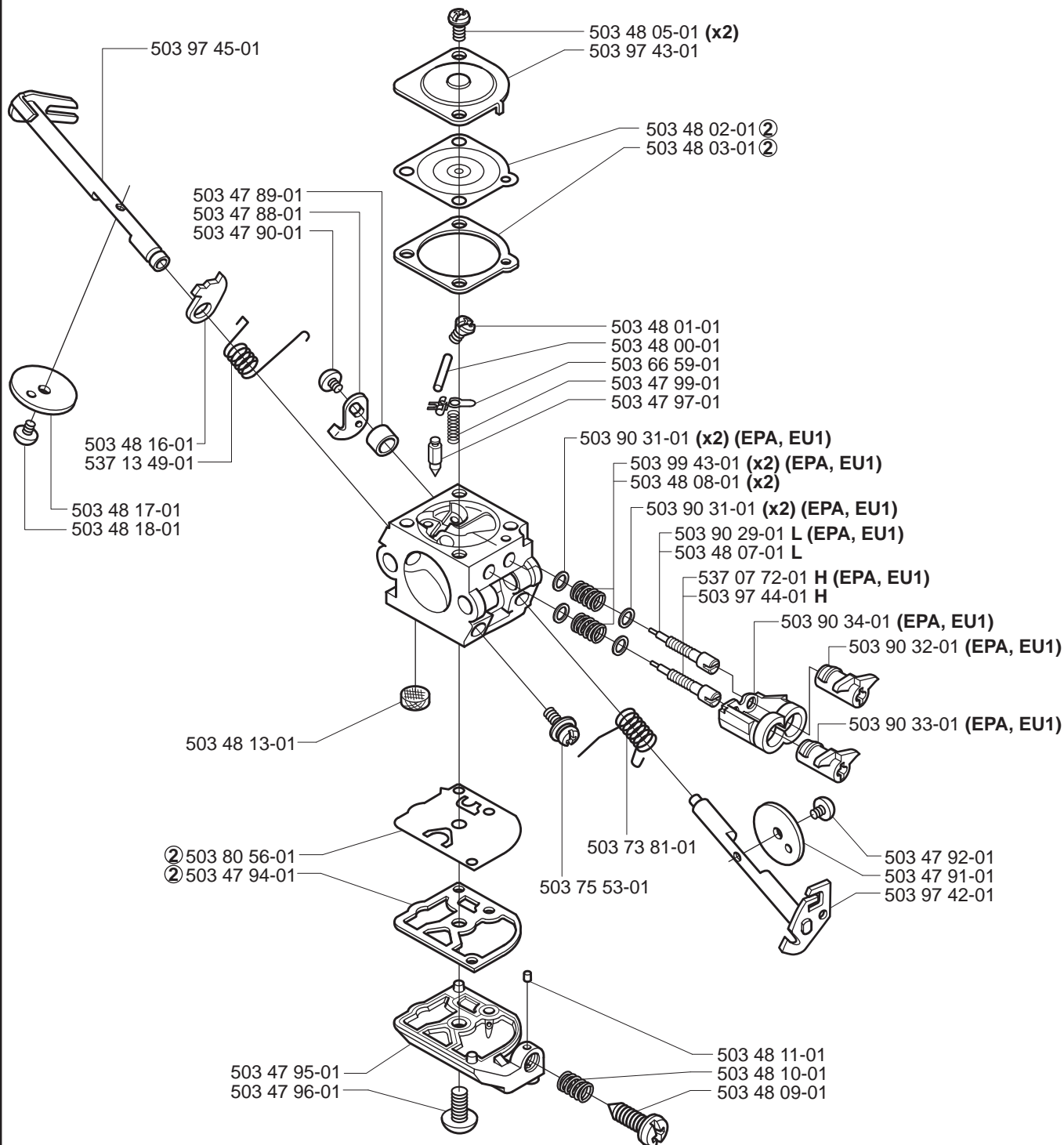
L

*compl 503 60 88-03



M compl 503 28 31-06 ZAMA C1Q-EL7 (EPA, EU1)
 compl 503 28 31-05 ZAMA C1Q-EL6

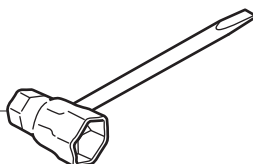
ZAMA C1Q-EL7 ZAMA C1Q-EL6



(2) 503 48 21-01
Set of gaskets
Dichtungssatz
Jeu de joints
Juego de Juntas
Packningssats

N **Tillbehör**
Accessories
Zubehöre
Accessoires
Accesorios

501 69 17-01



PART NUMBER	SQUARE	NOTE	PART NUMBER	SQUARE	NOTE	PART NUMBER	SQUARE	NOTE	PART NUMBER	SQUARE	NOTE
501 45 16-01	D		503 23 51-08	D		503 79 00-01	K				
501 45 16-01	G		503 25 34-01	H		503 79 05-02	K				
501 45 27-02	J		503 25 34-01	H		503 80 27-01	A				
501 45 41-01	J		503 28 31-05	C, M		503 80 56-01	M	1			
501 45 54-03	H		503 28 31-06	C, M		503 89 27-01	A				
501 45 61-01	H		503 28 90-14	D		503 89 81-01	C				
501 45 74-02	H		503 40 47-01	E		503 89 81-02	C				
501 48 54-02	K		503 44 32-01	E		503 89 82-01	C				
501 54 63-01	J		503 45 39-02	H		503 90 14-01	K				
501 63 06-01	L		503 47 88-01	M		503 90 29-01	M				
501 63 97-01	C		503 47 89-01	M		503 90 31-01	M				
501 69 17-01	N		503 47 90-01	M		503 90 32-01	M				
501 76 13-10	E		503 47 91-01	M		503 90 33-01	M				
501 76 22-02	J		503 47 92-01	M		503 90 34-01	M				
501 76 30-03	J		503 47 94-01	M	1	503 97 42-01	M				
501 76 31-01	L		503 47 95-01	M		503 97 43-01	M				
501 76 32-01	H		503 47 96-01	M		503 97 44-01	M				
501 76 37-01	H		503 47 97-01	M		503 97 45-01	M				
501 76 39-02	E		503 47 99-01	M		503 98 74-01	B				
501 76 44-03	J		503 48 00-01	M		503 99 43-01	M				
501 76 56-02	J		503 48 01-01	M		504 52 30-02	H				
501 76 64-03	J		503 48 02-01	M	1	505 27 57-19	J				
501 76 66-05	F	N	503 48 03-01	M	1	505 30 37-35	L				
501 76 80-01	A		503 48 05-01	M		505 30 51-25	L				
501 76 81-01	A		503 48 07-01	M		505 31 07-51	C				
501 76 83-01	E		503 48 08-01	M		506 16 48-01	A				
501 76 88-01	F		503 48 09-01	M		537 07 72-01	M				
501 77 00-02	C		503 48 10-01	M		537 12 79-01	D				
501 77 76-01	H		503 48 11-01	M		537 13 49-01	M				
501 77 80-02	E		503 48 13-01	M		537 21 50-01	E	N			
501 79 50-01	J		503 48 16-01	M		537 21 52-02	E	N			
501 87 29-07	E		503 48 17-01	M		537 35 98-01	L				
501 87 31-01	E		503 48 18-01	M		720 12 33-00	A				
501 87 42-02	A		503 48 21-01	M		720 12 42-20	E				
501 87 47-01	A		503 49 32-01	A		720 13 07-10	J				
501 87 53-01	A		503 49 81-03	A		720 13 15-20	E				
501 87 54-01	A		503 52 39-01	A		721 12 10-40	H, J				
501 87 77-02	E		503 54 39-01	L		721 42 52-50	A				
503 08 46-01	E		503 55 22-01	D		724 12 87-59	F				
503 08 87-02	H		503 57 38-06	G		724 13 29-55	L, J				
503 09 79-04	E		503 57 50-01	E		725 53 29-55	H				
503 10 16-01	H		503 57 89-01	E, J	N	735 31 08-20	A				
503 10 49-02	H		503 60 81-71	D		737 44 10-00	D				
503 15 21-01	A		503 60 84-01	C		738 22 02-25	G				
503 16 16-02	C		503 60 86-01	L		740 44 05-00	J				
503 16 21-03	D		503 60 88-03	L							
503 16 21-03	D		503 60 90-06	B							
503 16 31-01	K		503 60 91-71	D							
503 20 02-10	C		503 60 91-72	D							
503 20 02-16	C, J		503 61 97-06	L							
503 20 02-25	J, D		503 66 01-02	H							
503 20 02-50	J		503 66 54-01	D							
503 20 25-20	K		503 66 59-01	M							
503 20 26-16	A		503 66 84-01	J							
503 20 32-16	C		503 68 42-42	J							
503 21 06-16	E, L		503 71 02-03	K							
503 21 06-25	E		503 71 79-01	K							
503 21 07-45	C		503 71 87-01	A							
503 21 27-16	J		503 72 98-01	J							
503 21 28-06	K		503 73 04-01	J							
503 21 28-10	A		503 73 08-01	C							
503 21 43-38	B		503 73 09-01	C							
503 21 82-02	F		503 73 58-01	E							
503 22 00-01	A		503 73 81-01	M							
503 22 04-01	K		503 74 54-01	H							
503 22 24-01	F		503 74 91-03	F	N						
503 22 62-01	J		503 74 97-01	F							
503 23 00-35	L		503 75 53-01	M							
503 23 00-42	K		503 76 48-01	C							
503 23 01-05	H		503 78 32-01	K							

1 = 503 48 21-01

Set of gaskets, Dichtungssats,
Jeu de joints, Juego de juntas,
Packingssats

N = New part, Neues teil,
Nouvelle piece, Nueva pieza
Ny detalj

EPA = Environmental Protection Agency
(for USA only)