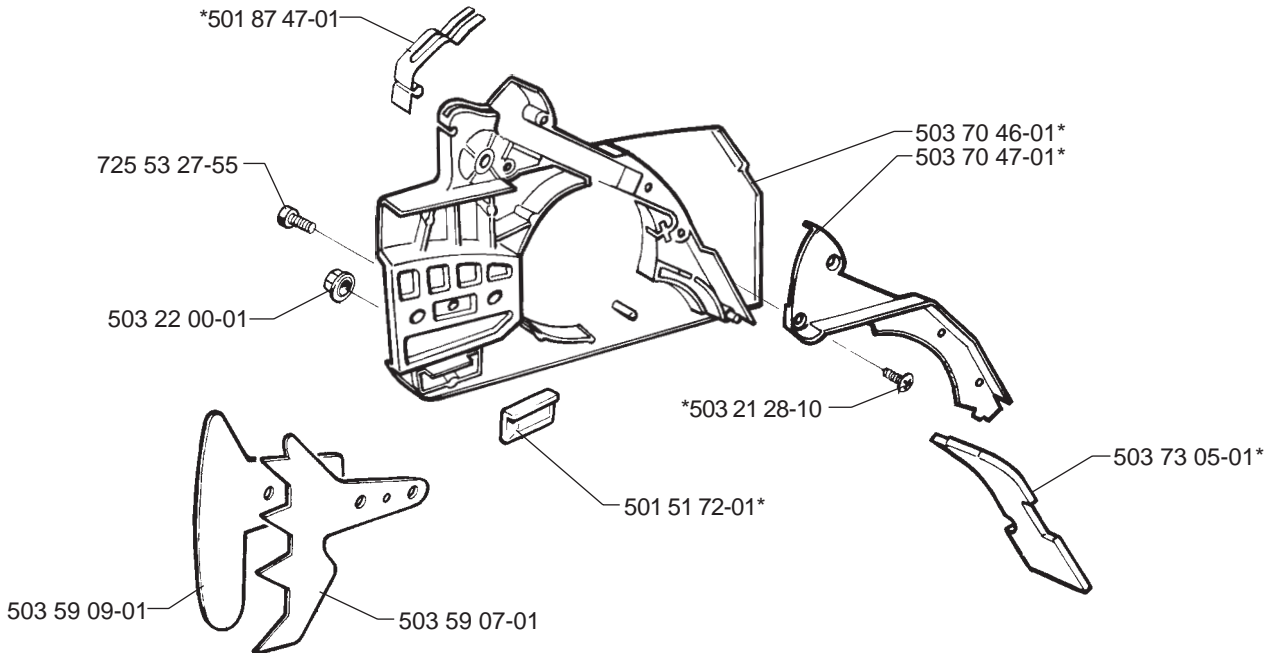
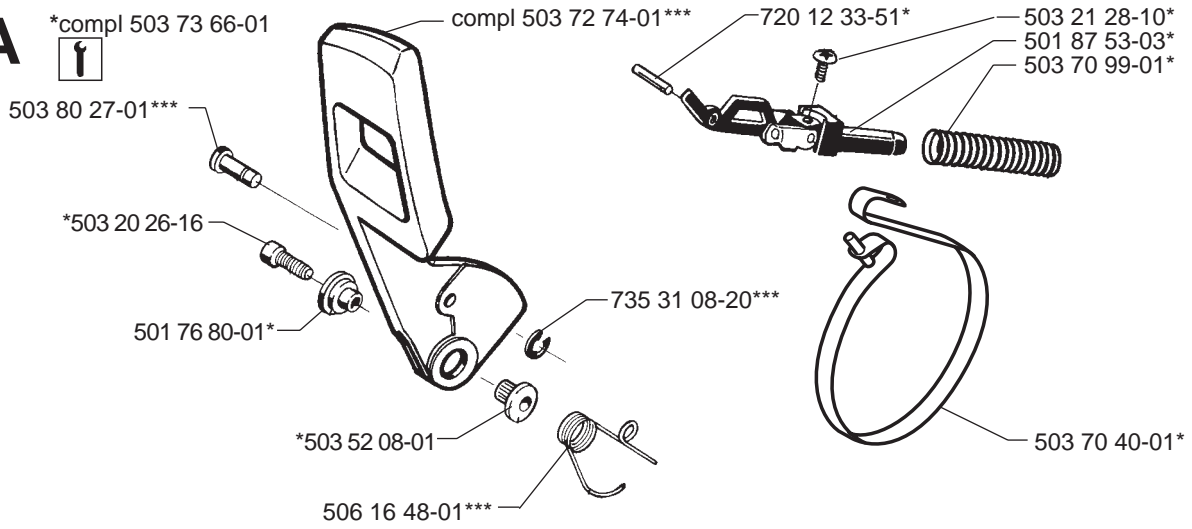


61

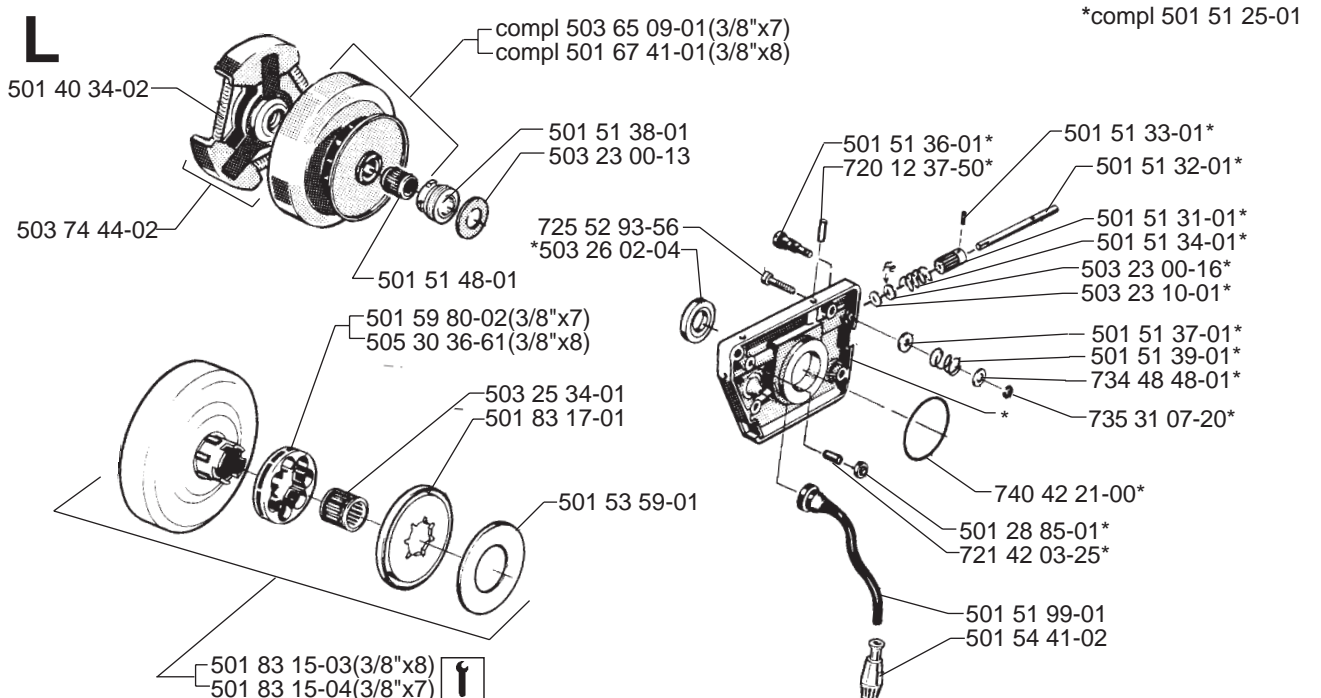
| | | |
|---------------------------|-----------|--------------|
| Spare parts | Replaces | |
| Ersatzteile | Ersetzt | |
| Pièces détachées | Remplace | |
| Reserve onderdelen | Vervangt | |
| Repuestos | Reemplaza | |
| Reservdelar | Ersätter | 106 22 71-64 |

A

*compl 503 73 66-01

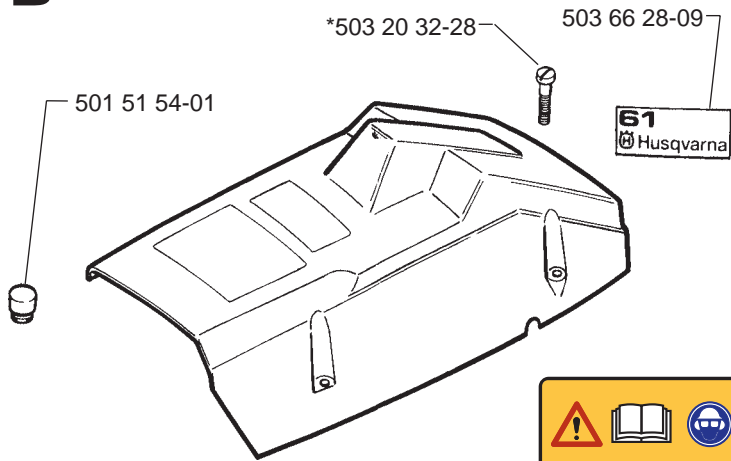


L



B

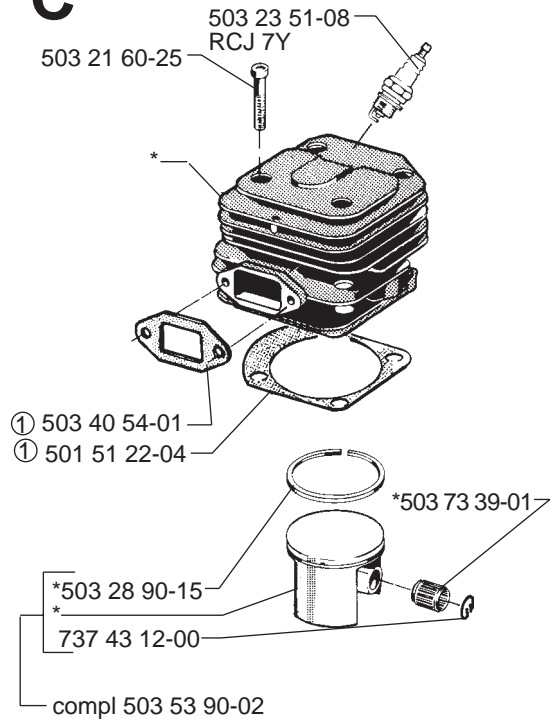
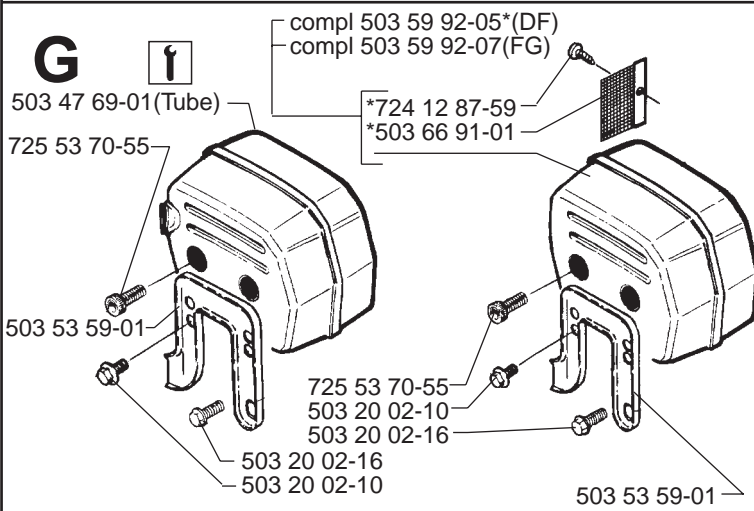
*compl 503 61 00-04



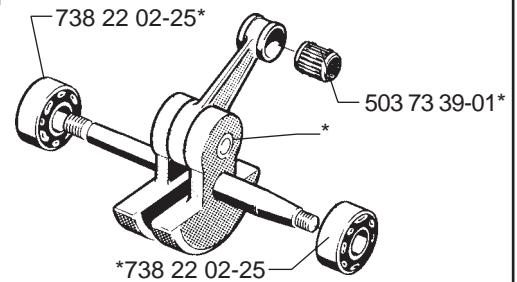
*503 98 74-01

C

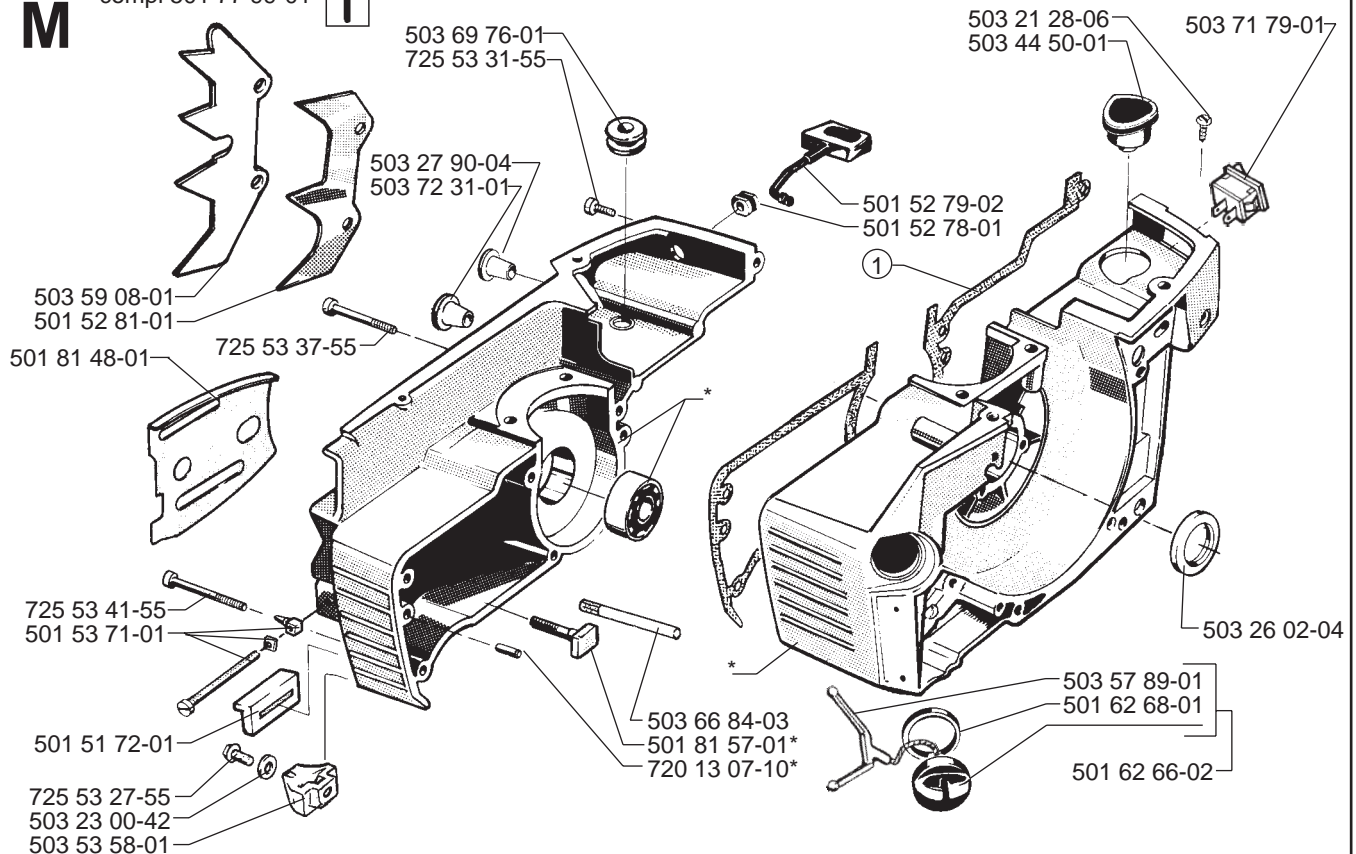
*compl 503 53 20-71

**G****H**

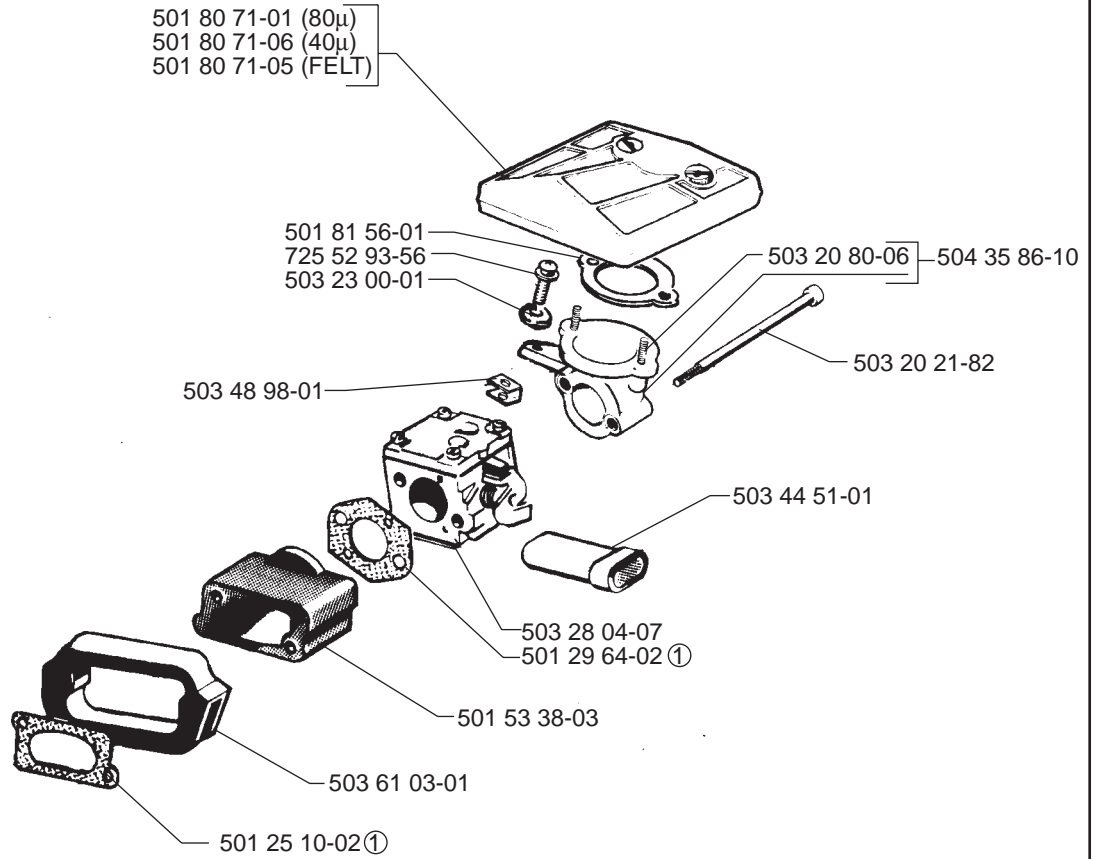
*compl 503 61 33-71

**M**

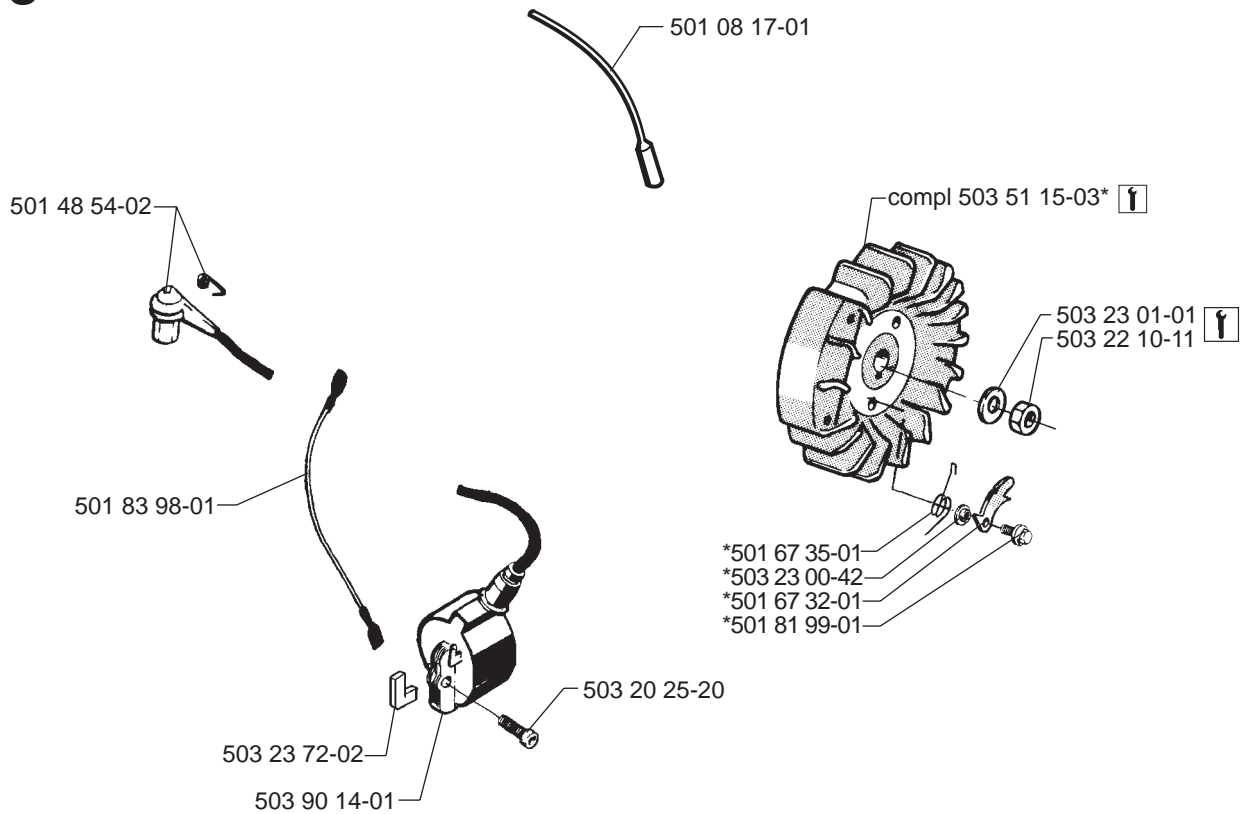
*compl 501 77 99-01



D 

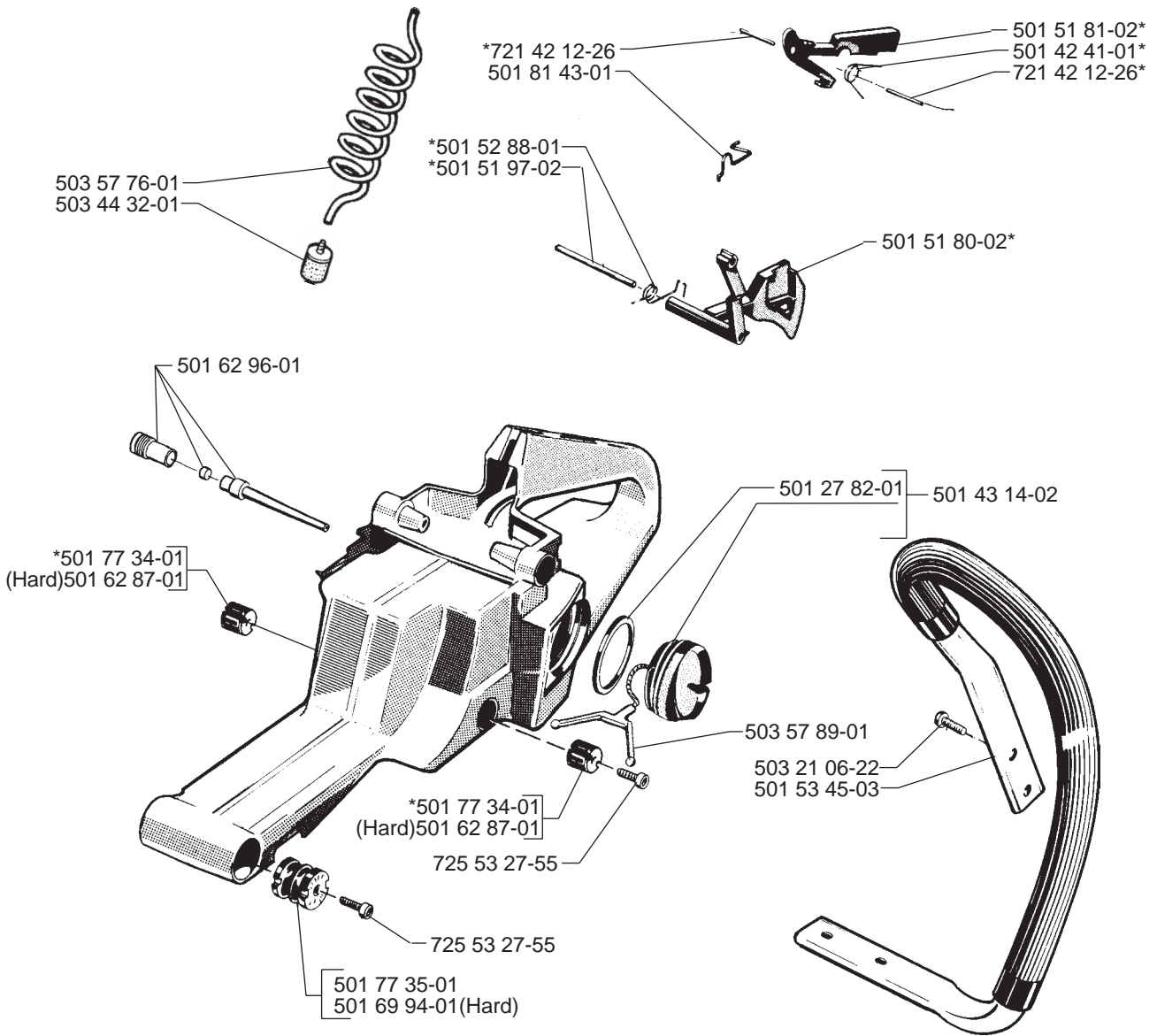


J 



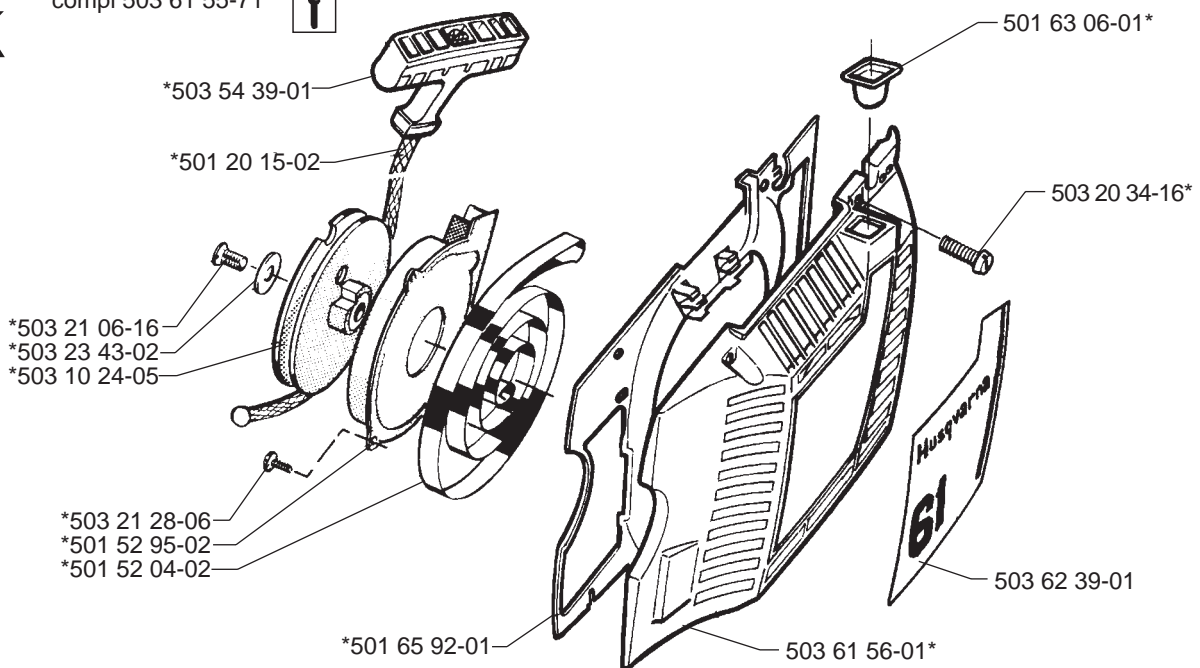
E

*compl 501 69 90-10



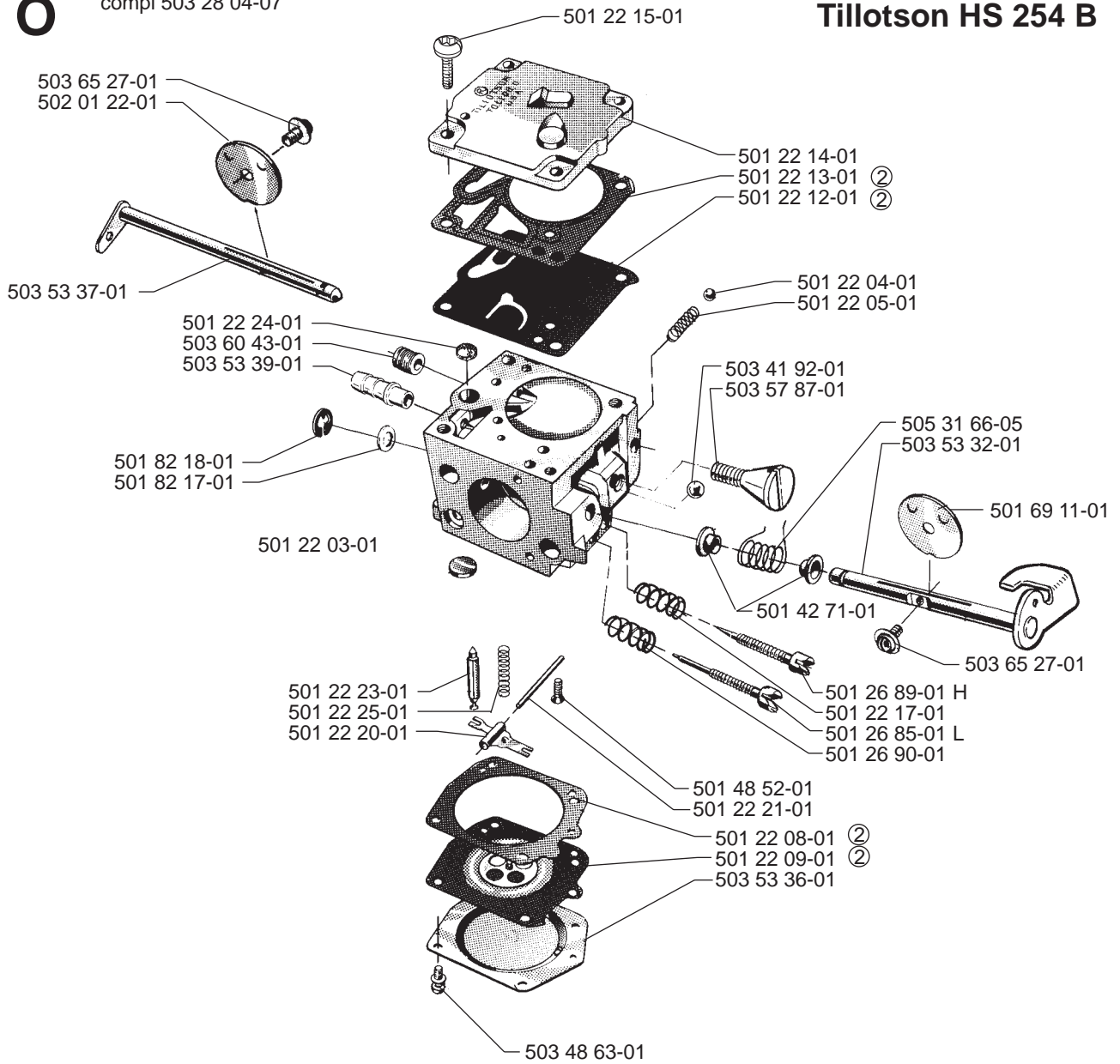
K

*compl 503 61 55-71



O

compl 503 28 04-07

Tillotson HS 254 B

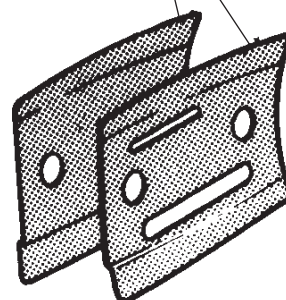
② 501 49 48-02

Packningssats, förgasare
Set of gaskets, carburettor
Dichtungssatz, vergaser
Jeu de joints, carburettor

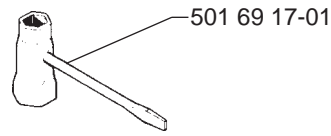
R

Levereras endast som reservdel
Delivery as spare part only
Nur als Ersatzteil lieferbar
Livrable seulement comme pièce de
rechange
Solo como repuesto
Zasilà se jenom jakò náhradni díl

501 44 44-01
 501 44 45-01

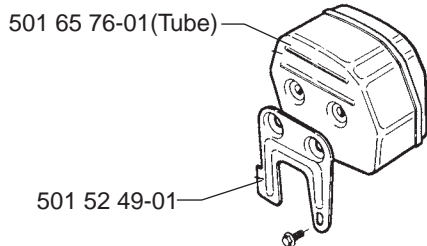
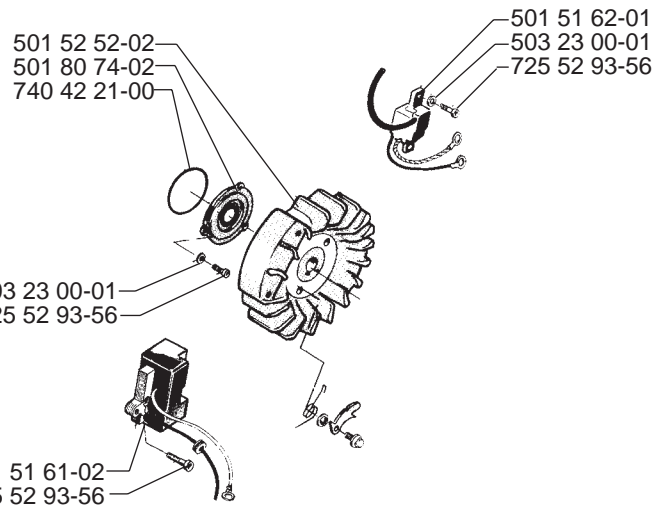
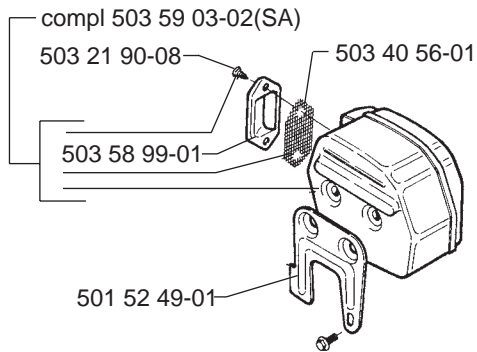
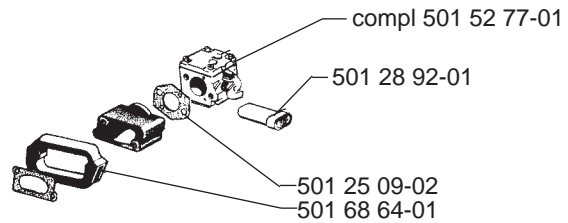
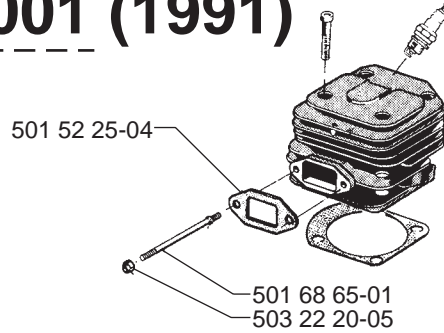
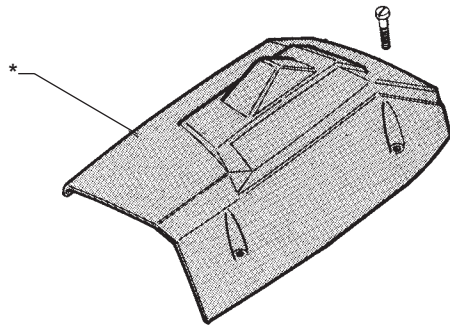


P Tillbehör
Accessories
Zybehöre
Accessoires
Accesorios
Pomucky

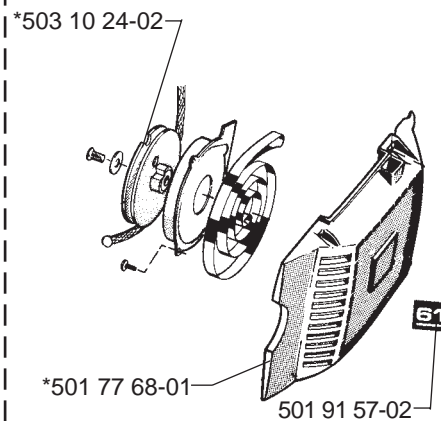
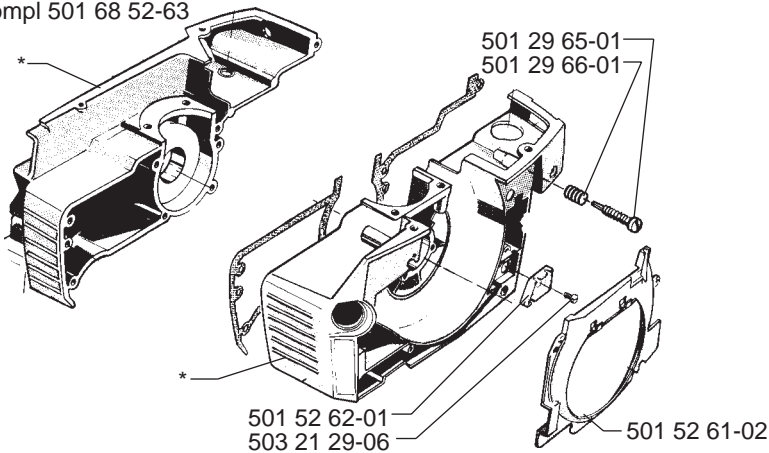


S *compl 501 68 60-04
*compl 501 68 60-07(USA)

Up to 1070001 (1991)



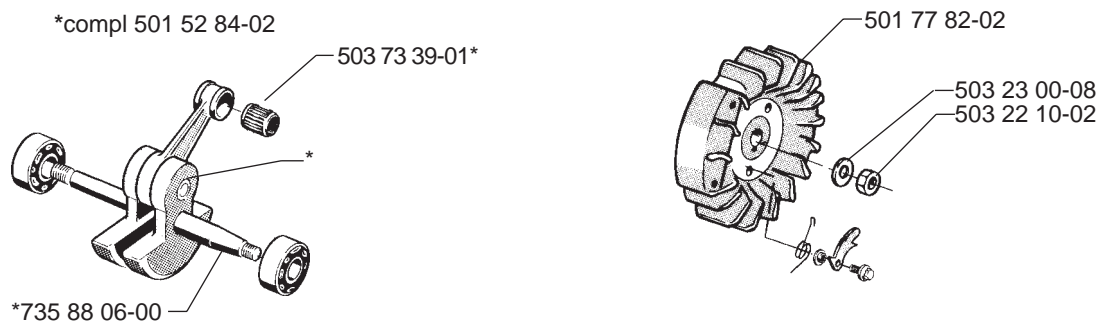
*compl 501 68 52-63



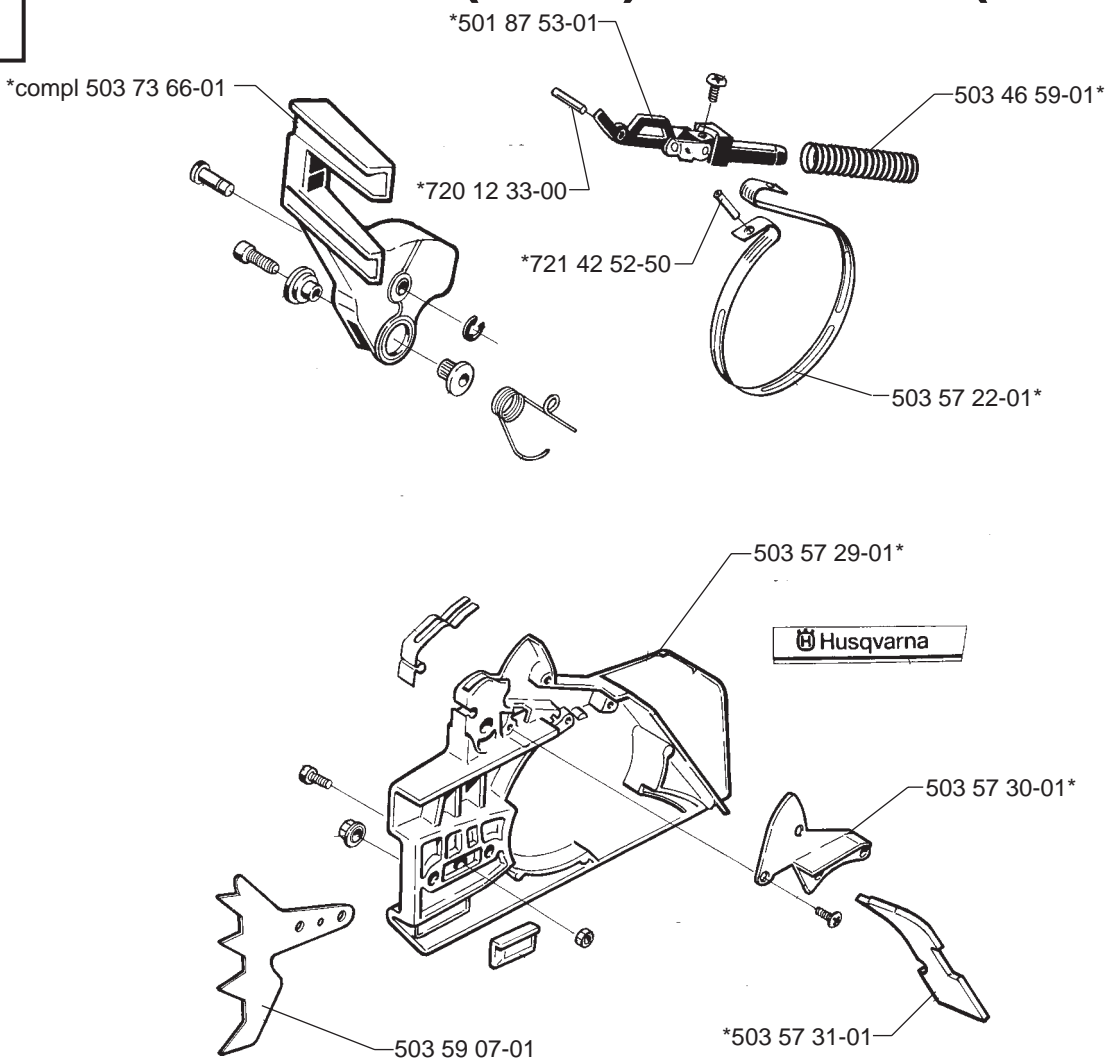
T



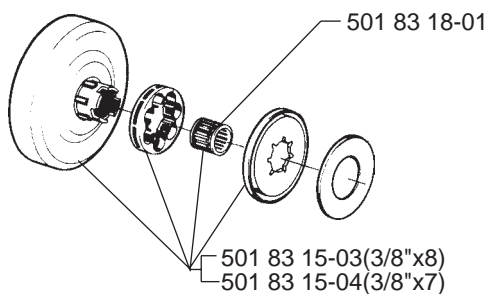
From 107001 (1991) - 3481259 (1993)



From 107001 (1991) - 4502561 (1994)



Up to 4230007 (1994)



MODEL 61

| PART NUMBER | SQUARE NOTE | PART NUMBER | SQUARE NOTE | PART NUMBER | SQUARE NOTE | PART NUMBER | SQUARE NOTE |
|--------------|-------------|--------------|-------------|--------------|-------------|--------------|-------------|
| 501 08 17-01 | J | 501 53 38-03 | D | 503 22 10-02 | T | 503 71 79-01 | M |
| 501 20 15-02 | K | 501 53 45-03 | E | 503 22 10-11 | J | 503 72 31-01 | M |
| 501 22 03-01 | O | 501 53 59-01 | L | 503 22 20-05 | S | 503 72 74-01 | A |
| 501 22 04-01 | O | 501 53 71-01 | M | 503 23 00-01 | D,S | 503 73 05-01 | A |
| 501 22 05-01 | O | 501 54 41-02 | L | 503 23 00-08 | T | 503 73 39-01 | C,H,T |
| 501 22 08-01 | O | 501 59 80-02 | L | 503 23 00-13 | L | 503 73 66-01 | A,T |
| 501 22 09-01 | O | 501 62 66-02 | M | 503 23 00-16 | L | 503 74 44-02 | L N |
| 501 22 12-01 | O | 501 62 68-01 | M | 503 23 00-42 | J,M | 503 80 27-01 | A |
| 501 22 13-01 | O | 501 62 87-01 | E | 503 23 01-01 | J | 503 90 14-01 | J |
| 501 22 14-01 | O | 501 62 96-01 | E | 503 23 10-01 | L | 503 98 74-01 | B |
| 501 22 15-01 | O | 501 63 06-01 | K | 503 23 43-02 | K | 504 35 86-10 | D |
| 501 22 17-01 | O | 501 65 76-01 | S | 503 23 51-08 | C | 505 30 36-61 | L |
| 501 22 20-01 | O | 501 65 92-01 | K | 503 23 72-02 | J | 505 31 66-05 | O |
| 501 22 21-01 | O | 501 67 32-01 | J | 503 25 34-01 | L | 506 16 48-01 | A |
| 501 22 23-01 | O | 501 67 35-01 | J | 503 26 02-04 | L,M | 720 12 33-00 | T |
| 501 22 24-01 | O | 501 67 41-01 | L | 503 27 90-04 | M | 720 12 33-51 | A |
| 501 22 25-01 | O | 501 68 52-63 | S | 503 28 04-07 | D,O | 720 12 37-50 | L |
| 501 25 09-02 | S | 501 68 60-04 | S | 503 28 90-15 | C | 720 13 07-10 | M |
| 501 25 10-02 | D | 501 68 60-07 | S | 503 40 54-01 | C | 721 42 03-25 | L |
| 501 26 85-01 | O | 501 68 64-01 | S | 503 40 56-01 | S | 721 42 12-26 | E |
| 501 26 89-01 | O | 501 68 65-01 | S | 503 41 92-01 | O | 721 42 52-50 | T |
| 501 26 90-01 | O | 501 69 11-01 | O | 503 44 32-01 | E | 724 12 87-59 | G |
| 501 27 82-01 | E | 501 69 17-01 | P | 503 44 50-01 | M | 725 52 93-56 | D,L,S |
| 501 28 85-01 | L | 501 69 90-10 | E | 503 44 51-01 | D | 725 53 27-55 | A,E,M |
| 501 28 92-01 | S | 501 69 94-01 | E | 503 46 59-01 | T | 725 53 31-55 | M |
| 501 29 64-02 | D | 501 76 80-01 | A | 503 47 69-01 | G | 725 53 37-55 | M |
| 501 29 65-01 | S | 501 77 34-01 | E | 503 48 63-01 | O | 725 53 41-55 | M |
| 501 29 66-01 | S | 501 77 35-01 | E | 503 48 98-01 | D | 725 53 70-55 | G |
| 501 40 34-02 | L | 501 77 68-01 | S | 503 51 15-03 | J | 734 48 48-01 | L |
| 501 42 41-01 | E | 501 77 82-02 | T | 503 52 08-01 | A | 735 31 07-20 | L |
| 501 42 71-01 | O | 501 77 99-01 | M | 503 53 20-71 | C | 735 31 08-20 | A |
| 501 43 14-02 | E | 501 80 71-01 | D | 503 53 32-01 | O | 735 88 06-00 | T |
| 501 44 44-01 | R | 501 80 71-05 | D | 503 53 36-01 | O | 737 43 12-00 | C |
| 501 44 45-01 | R | 501 80 71-06 | D | 503 53 37-01 | O | 738 22 02-25 | H |
| 501 48 52-01 | O | 501 80 74-02 | S | 503 53 39-01 | O | 740 42 21-00 | L,S |
| 501 48 54-02 | J | 501 81 43-01 | E | 503 53 58-01 | M | | |
| 501 49 48-02 | O | 501 81 48-01 | M | 503 53 59-01 | G | | |
| 501 51 22-04 | C | 501 81 56-01 | D | 503 53 90-02 | C | | |
| 501 51 25-01 | L | 501 81 57-01 | M | 503 54 39-01 | K | | |
| 501 51 31-01 | L | 501 81 99-01 | J | 503 57 22-01 | T | | |
| 501 51 32-01 | L | 501 82 17-01 | O | 503 57 29-01 | T | | |
| 501 51 33-01 | L | 501 82 18-01 | O | 503 57 30-01 | T | | |
| 501 51 34-01 | L | 501 83 15-03 | L,T | 503 57 31-01 | T | | |
| 501 51 36-01 | L | 501 83 15-04 | L,T | 503 57 76-01 | E | | |
| 501 51 37-01 | L | 501 83 17-01 | L | 503 57 87-01 | O | | |
| 501 51 38-01 | L | 501 83 18-01 | T | 503 57 89-01 | E,M | | |
| 501 51 39-01 | L | 501 83 98-01 | J | 503 58 99-01 | S | | |
| 501 51 48-01 | L | 501 87 47-01 | A | 503 59 03-02 | S | | |
| 501 51 54-01 | B | 501 87 53-01 | T | 503 59 07-01 | A,T | | |
| 501 51 61-02 | S | 501 87 53-03 | A | 503 59 08-01 | M | | |
| 501 51 62-01 | S | 501 91 57-02 | S | 503 59 09-01 | A | | |
| 501 51 72-01 | A,M | 502 01 22-01 | O | 503 59 92-05 | G | | |
| 501 51 80-02 | E | 503 10 24-02 | S | 503 59 92-07 | G | | |
| 501 51 81-02 | E | 503 10 24-05 | K | 503 60 43-01 | O | | |
| 501 51 97-02 | E | 503 20 02-10 | G | 503 61 00-04 | B | | |
| 501 51 99-01 | L | 503 20 02-16 | G | 503 61 03-01 | D | | |
| 501 52 04-02 | K | 503 20 21-82 | D | 503 61 33-71 | H | | |
| 501 52 25-04 | S | 503 20 25-20 | J | 503 61 55-71 | K | | |
| 501 52 26-06 | S | 503 20 26-16 | A | 503 61 56-01 | K | | |
| 501 52 49-01 | S | 503 20 32-28 | B | 503 62 39-01 | K | | |
| 501 52 52-02 | S | 503 20 34-16 | K | 503 65 09-01 | L | | |
| 501 52 61-02 | S | 503 20 80-06 | D | 503 65 27-01 | O | | |
| 501 52 62-01 | S | 503 21 06-16 | K | 503 66 28-09 | B | | |
| 501 52 77-01 | S | 503 21 06-22 | E | 503 66 84-03 | M | | |
| 501 52 78-01 | M | 503 21 28-06 | K,M | 503 66 91-01 | G | | |
| 501 52 79-02 | M | 503 21 28-10 | A | 503 69 76-01 | M | | |
| 501 52 81-01 | M | 503 21 29-06 | S | 503 70 40-01 | A | | |
| 501 52 84-02 | T | 503 21 60-25 | C | 503 70 46-01 | A | | |
| 501 52 88-01 | E | 503 21 90-08 | S | 503 70 47-01 | A | | |
| 501 52 95-02 | K | 503 22 00-01 | A | 503 70 99-01 | A | | |

1 = 501 52 26-06
2 = 501 49 48-02

Set of gaskets, Dichtungssatz,
Jeu de joints, Juego de juntas,
Packningssats

N = New part, Neues teil,
Nouvelle piece, Nueva pieza
Ny detalj