

272S



1.1995

Spare parts

Ersatzteile

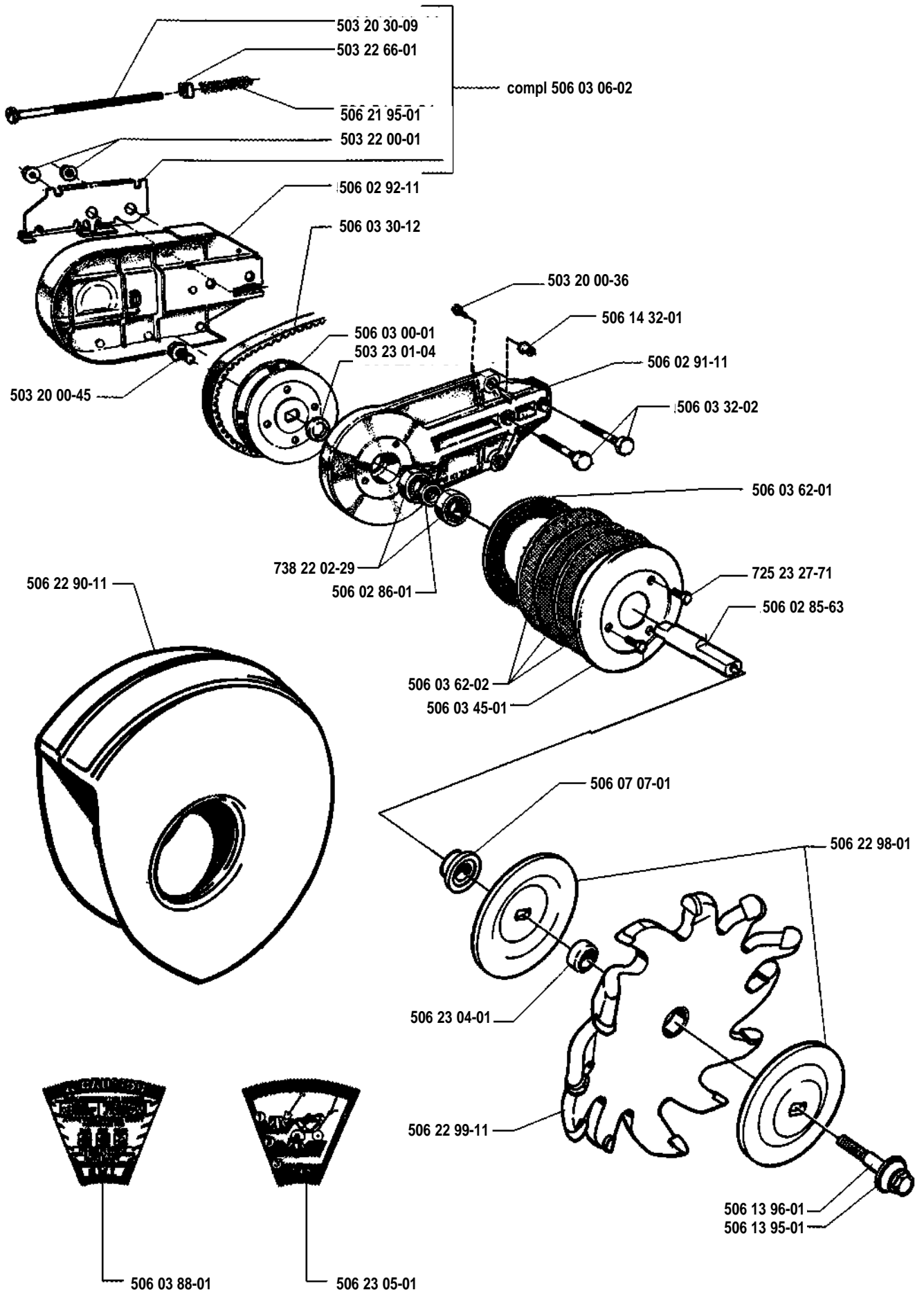
Pièces détachées

Reserve onderdelen

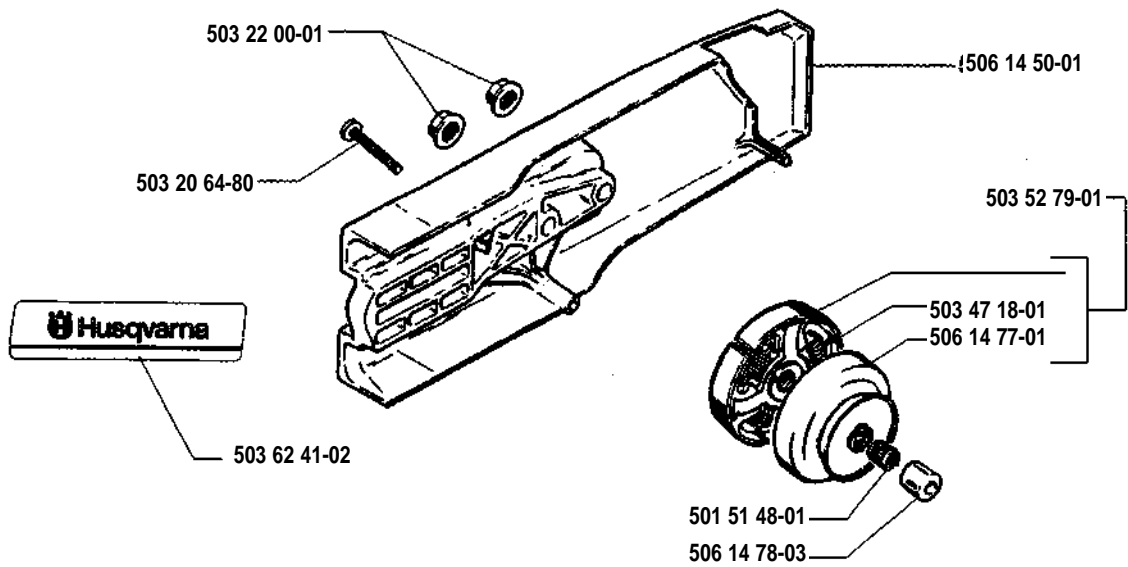
Repuestos

Reservdelar

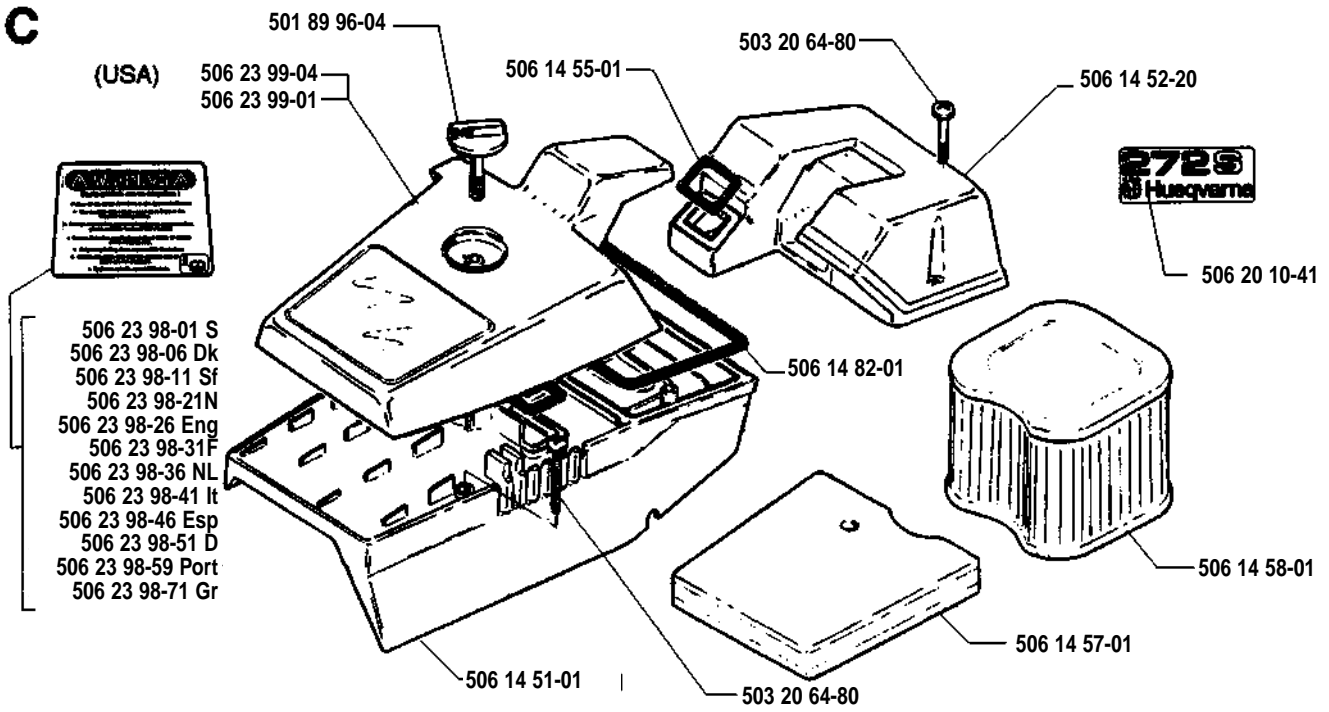
A



B

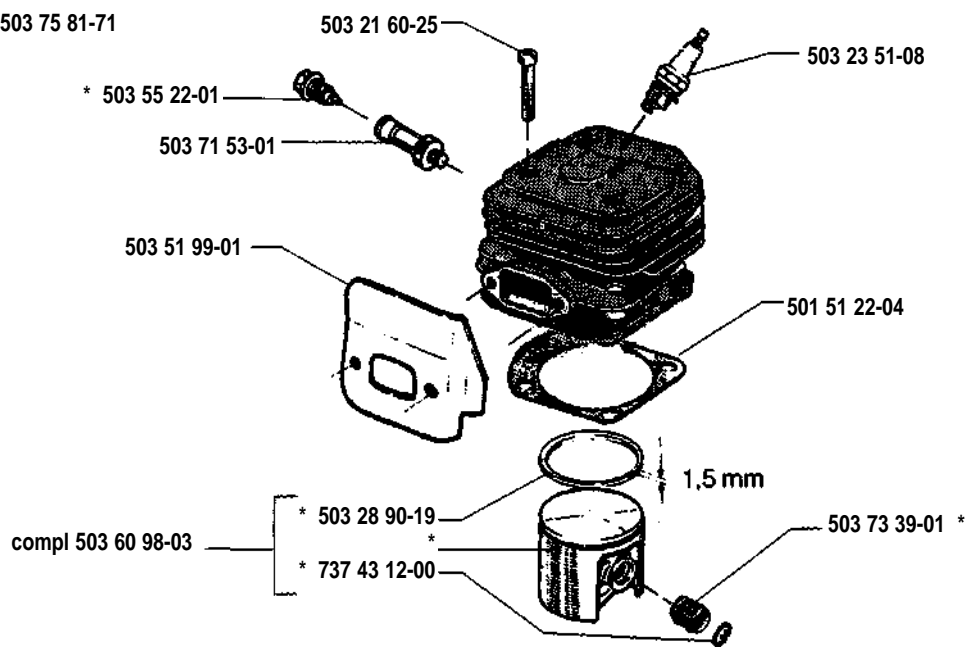


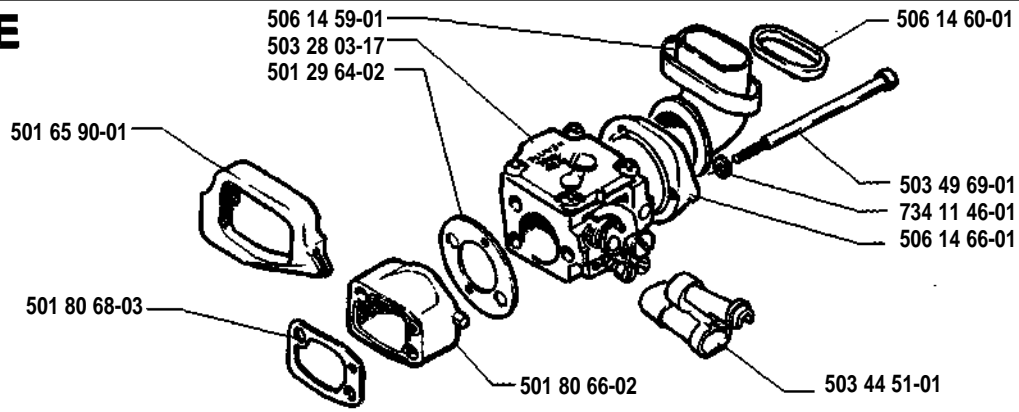
C



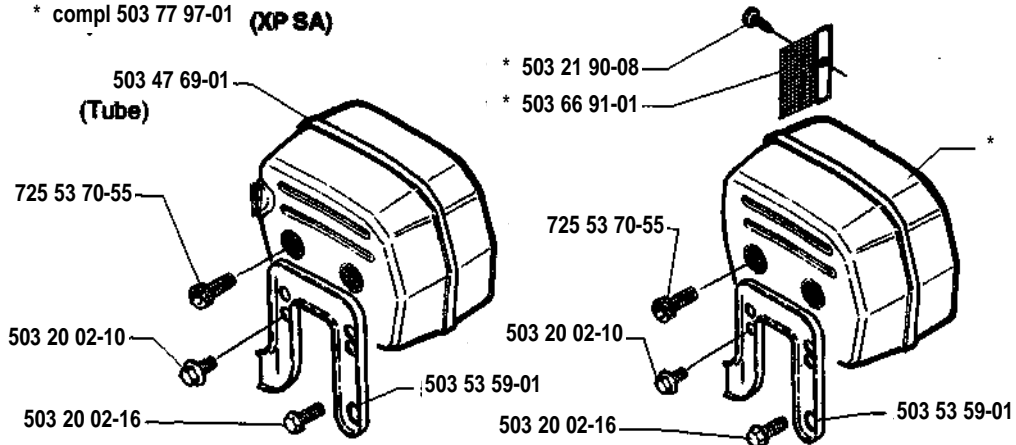
D

* compl 503 75 81-71

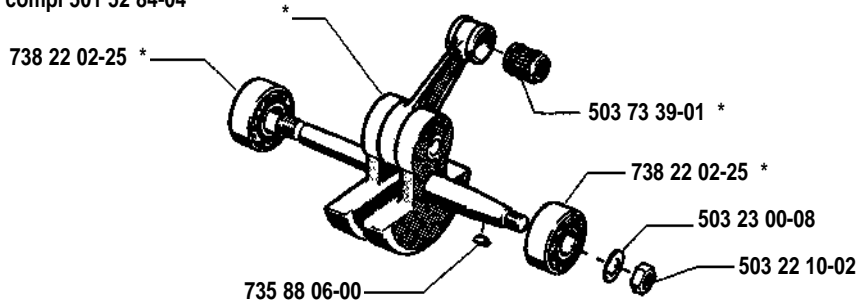


E**F**

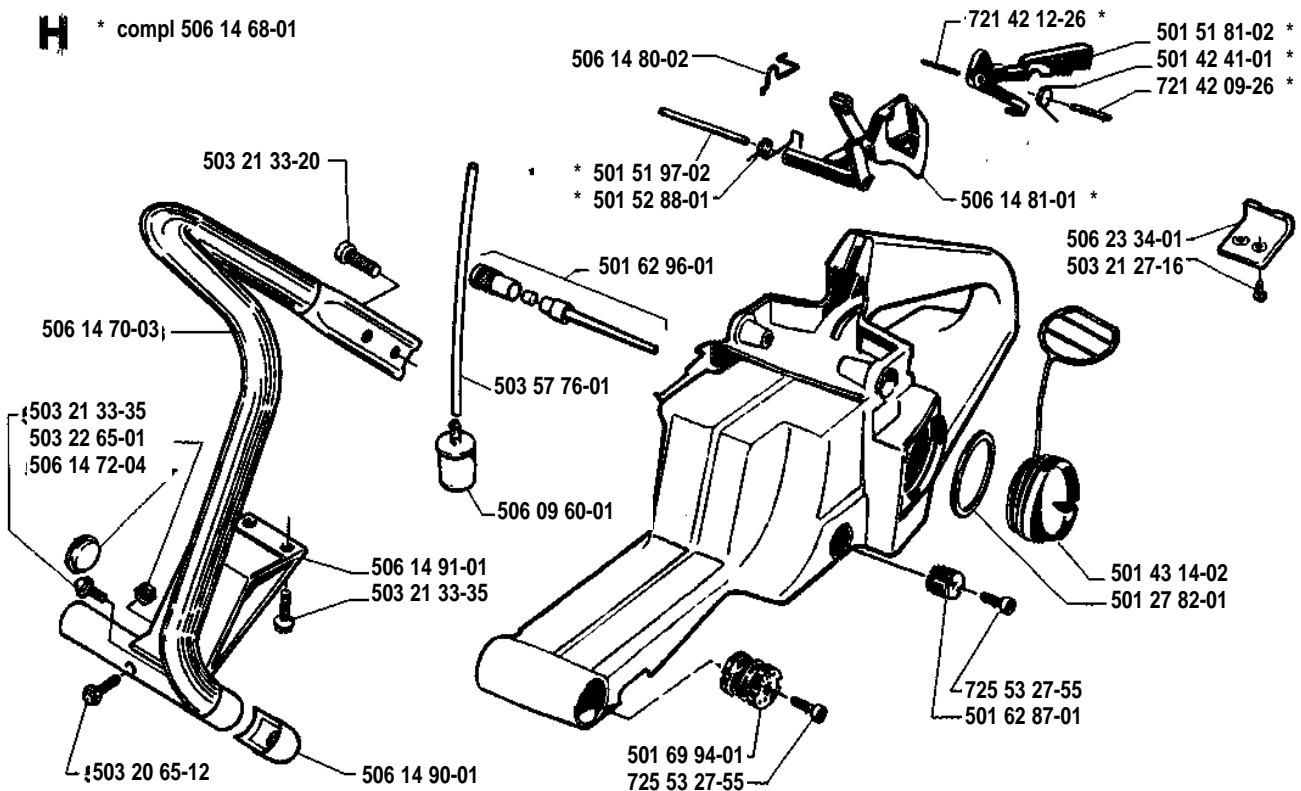
* compl 503 77 97-01 (XP SA)

**G**

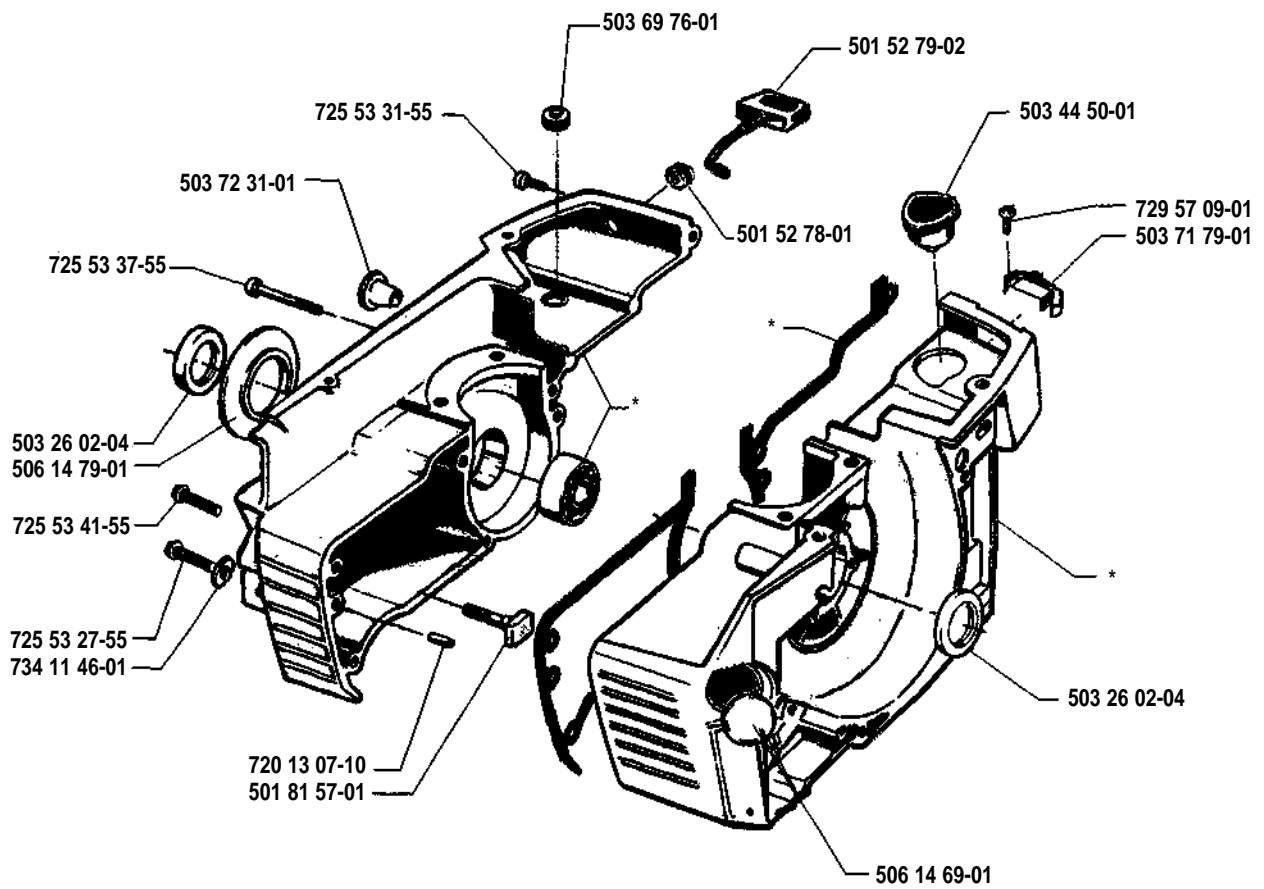
* compl 501 52 84-04

**H**

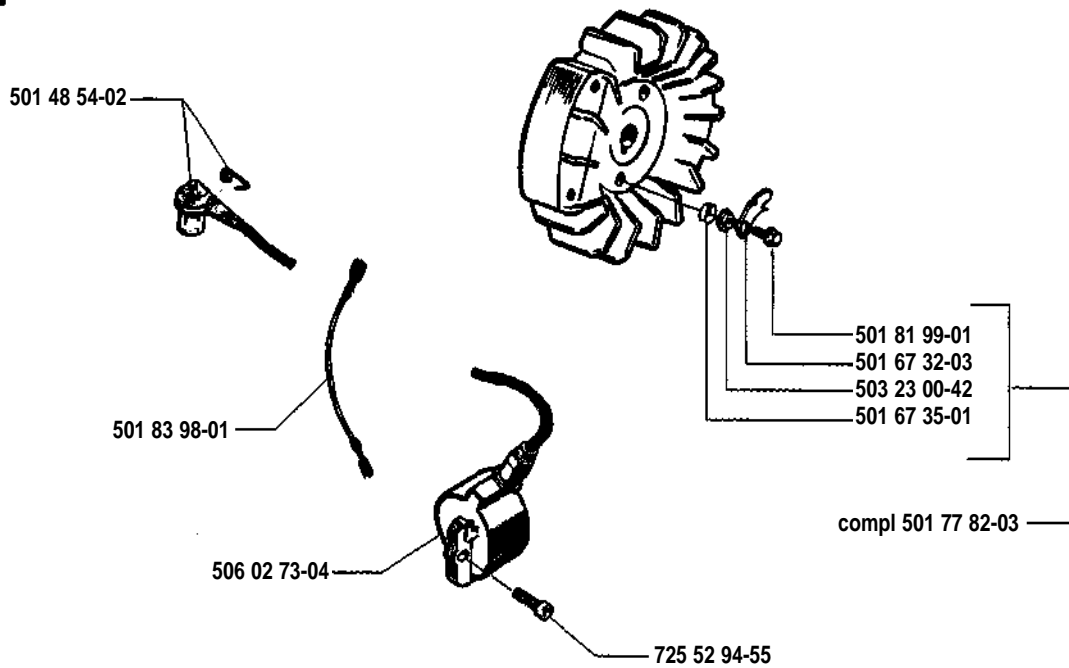
* compl 506 14 68-01



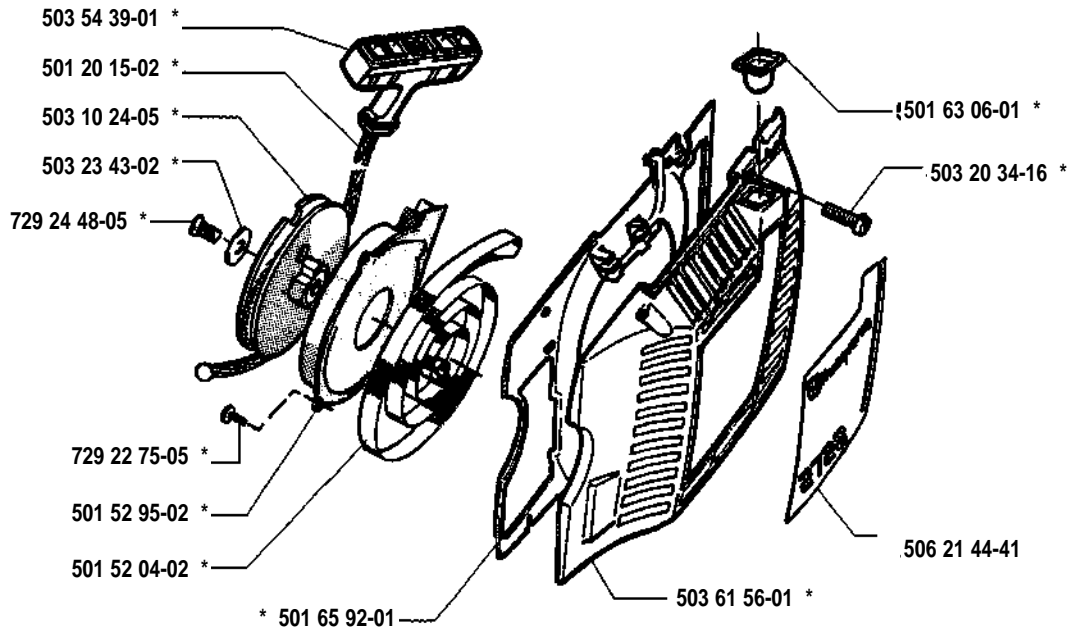
* compl 506 14 61-01



L

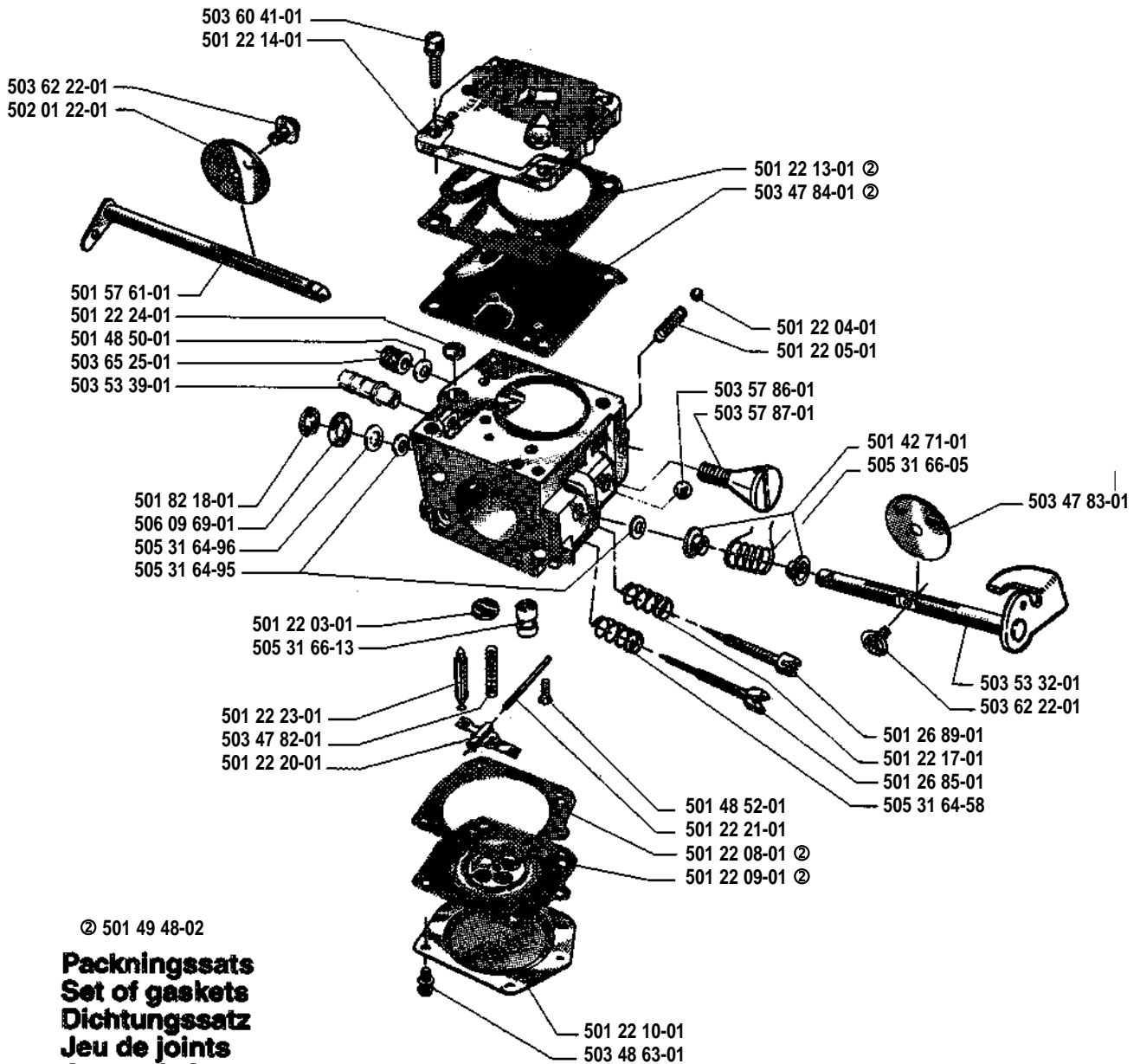


M * compl 503 61 55-71



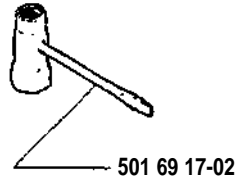
N compl 503 28 03-17

Tillotson HS 255B

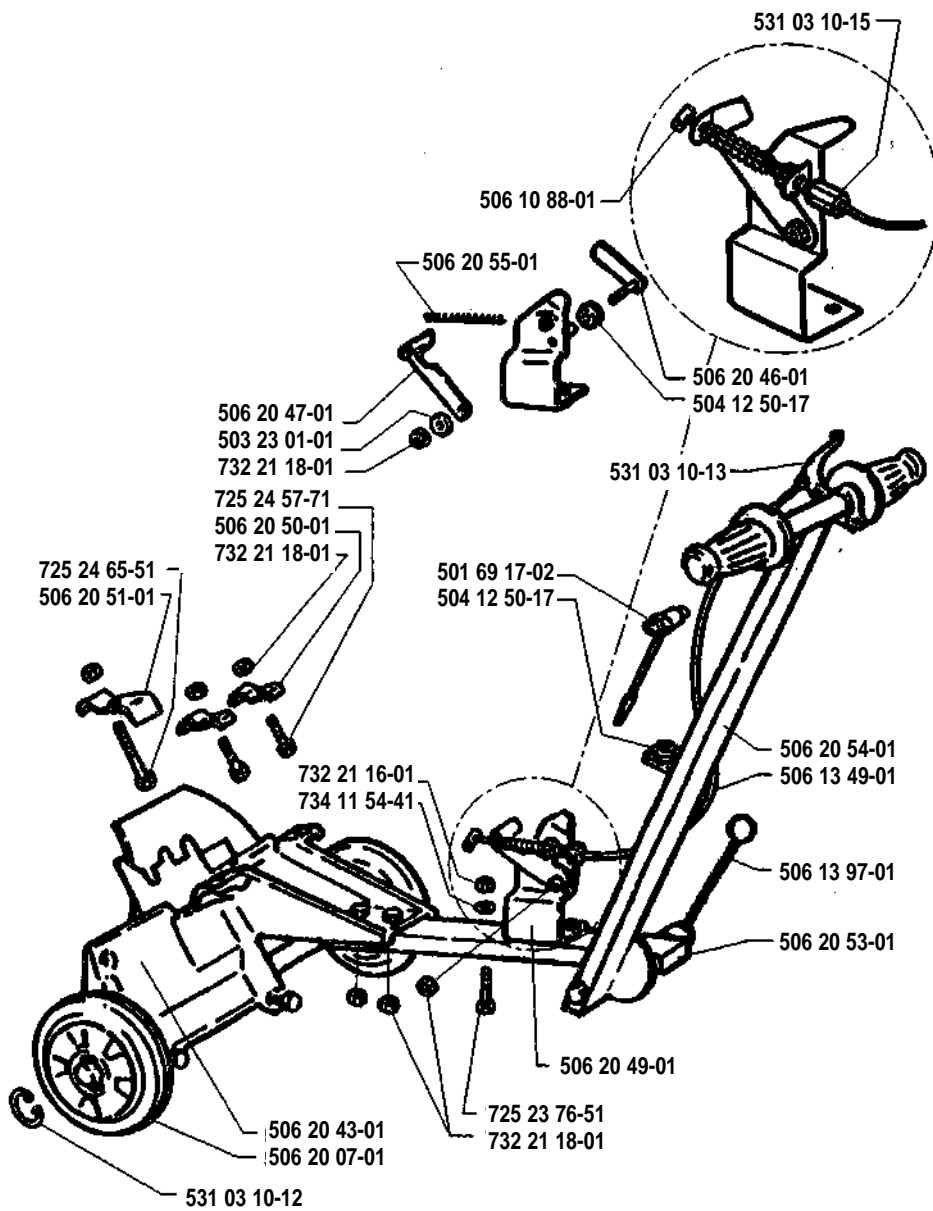


© 501 49 48-02
Packningssats
Set of gaskets
Dichtungssatz
Jeu de joints
Juego de juntas

R Tillbehör
Accessories
Zubehöre
Accessoires
Accesorios



P compl 506 20 56-01



MODEL NUMBER 272S

PART NUMBER	SQUARE	NOTE	PART NUMBER	SQUARE	NOTE	PART NUMBER	SQUARE	NOTE	PART NUMBER	SQUARE	NOTE
501 20 15-02	M		503 20 34-16	M		505 31 66-13	N		506 23 04-01	A	
501 22 03-01	N		503 20 64-80	C		506 02 73-04	L		506 23 05-01	A	
501 22 04-01	N		503 20 65-12	H		506 02 85-63	A		506 23 34-01	H	
501 22 05-01	N		503 21 27-16	H		506 02 86-01	A		506 23 98-01	C	
501 22 08-01	N	2	503 21 33-20	H		506 02 91-11	A		506 23 98-06	C	
501 22 09-01	N	2	503 21 33-35	H		506 02 92-11	A		506 23 98-11	C	
501 22 10-01	N		503 21 60-25	D		506 03 00-01	A		506 23 98-21	C	
501 22 13-01	N	2	503 21 90-08	F		506 03 06-02	A		506 23 98-26	C	
501 22 14-01	N		503 22 00-01	A,B		506 03 30-12	A		506 23 98-31	C	
501 22 17-01	N		503 22 10-02	G		506 03 32-02	A		506 23 98-36	C	
501 22 20-01	N		503 22 65-01	H		506 03 45-01	A		506 23 98-41	C	
501 22 21-01	N		503 22 66-01	A		506 03 62-01	A		506 23 98-46	C	
501 22 23-01	N		503 23 00-08	G		506 03 62-02	A		506 23 98-51	C	
501 22 24-01	N		503 23 00-42	L		506 03 88-01	A		506 23 98-59	C	
501 26 85-01	N		503 23 01-01	P		506 07 07-01	A		506 23 98-71	C	
501 26 89-01	N		503 23 01-04	A		506 09 60-01	H		506 23 99-01	C	
501 27 82-01	H		503 23 43-02	M		506 09 69-01	N		506 23 99-04	C	
501 29 64-02	E	1	503 23 51-08	D		506 10 88-01	P		531 03 10-12	P	
501 42 71-01	N		503 26 02-04	K		506 13 49-01	P		531 03 10-13	P	
501 43 14-02	H		503 28 03-17	E,M		506 13 95-01	A		531 03 10-15	P	
501 48 50-01	M		503 28 90-19	D		506 13 96-01	A		720 13 07-10	K	
501 48 52-01	N		503 44 50-01	K		506 14 32-01	A		721 42 09-26	H	
501 48 54-02	L		503 44 51-01	E		506 14 50-01	B		721 42 12-26	H	
501 49 48-02	N	2 compl	503 47 18-01	B		506 14 51-01	C		725 23 27-71	A	
501 51 22-04	D	1	503 47 69-01	F		506 14 52-20	C		725 23 76-51	P	
501 51 48-01	B		503 47 82-01	N		506 14 55-01	C		725 24 57-71	P	
501 51 81-02	H		503 47 83-01	N		506 14 57-01	C		725 24 65-51	P	
501 51 97-02	H		503 47 84-01	N	2	506 14 58-01	C		725 52 94-55	L	
501 52 04-02	M		503 48 63-01	N		506 14 59-01	E		725 53 27-55	H,K	
501 52 26-04	M	1 compl	503 49 69-01	E		506 14 60-01	E		725 53 31-55	K	
501 52 78-01	K		503 51 99-01	D		506 14 61-01	K		725 53 37-55	K	
501 52 79-02	K		503 52 79-01	B		506 14 66-01	E		725 53 41-55	K	
501 52 84-04	G		503 53 32-01	N		506 14 68-01	H		725 53 70-55	F	
501 52 88-01	H		503 53 39-01	N		506 14 69-01	K		729 22 75-05	M	
501 52 95-02	M		503 53 59-01	F		506 14 70-03	H		729 24 48-05	M	
501 57 61-01	N		503 54 39-01	M		506 14 72-04	H		729 57 09-01	K	
501 62 87-01	H		503 55 22-01	D		506 14 77-01	B		732 21 16-01	P	
501 62 96-01	H		503 57 76-01	H		506 14 78-03	B		732 21 18-01	P	
501 63 06-01	M		503 57 86-01	N		506 14 79-01	K		734 11 46-01	E,K	
501 65 90-01	E		503 57 87-01	N		506 14 80-02	H		734 11 54-41	P	
501 65 92-01	M		503 60 41-01	N		506 14 81-01	H		735 88 06-00	G	
501 67 32-03	L		503 60 98-03	D		506 14 82-01	C		737 43 12-00	D	
501 67 35-01	L		503 61 55-71	M		506 14 91-01	H		738 22 02-25	G	
501 69 17-02	R,P		503 61 56-01	M		506 20 07-01	P		738 22 02-29	A	
501 69 94-01	H		503 62 22-01	N		506 20 10-41	C				
501 77 82-03	L		503 62 41-02	B		506 20 43-01	P				
501 80 66-02	E		503 65 25-01	N		506 20 46-01	P				
501 80 68-03	E	1	503 66 91-01	F		506 20 47-01	P				
501 81 57-01	K		503 69 76-01	K		506 20 49-01	P				
501 81 99-01	L		503 71 53-01	D		506 20 50-01	P				
501 82 18-01	N		503 71 79-01	K		506 20 51-01	P				
501 83 98-01	L		503 72 31-01	K		506 20 53-01	P				
501 89 96-04	C		503 73 39-01	D,G		506 20 54-01	P				
502 01 22-01	N		503 75 81-71	D		506 20 55-01	P				
503 10 24-05	M		503 77 97-01	F		506 20 56-01	P				
503 20 00-36	A		504 12 50-17	P		506 21 44-41	M				
503 20 00-45	A		505 31 64-58	N		506 21 95-01	A				
503 20 02-10	F		505 31 64-95	N		506 22 90-11	A				
503 20 02-16	F		505 31 64-96	N		506 22 98-01	A				
503 20 30-09	A		505 31 66-05	N		506 22 99-11	A				

1 = 501 52 26-04
2 = 501 49 48-02

Set of gaskets
Dichtungssatz
Jeu de joints
Juego de juntas
Packningssats