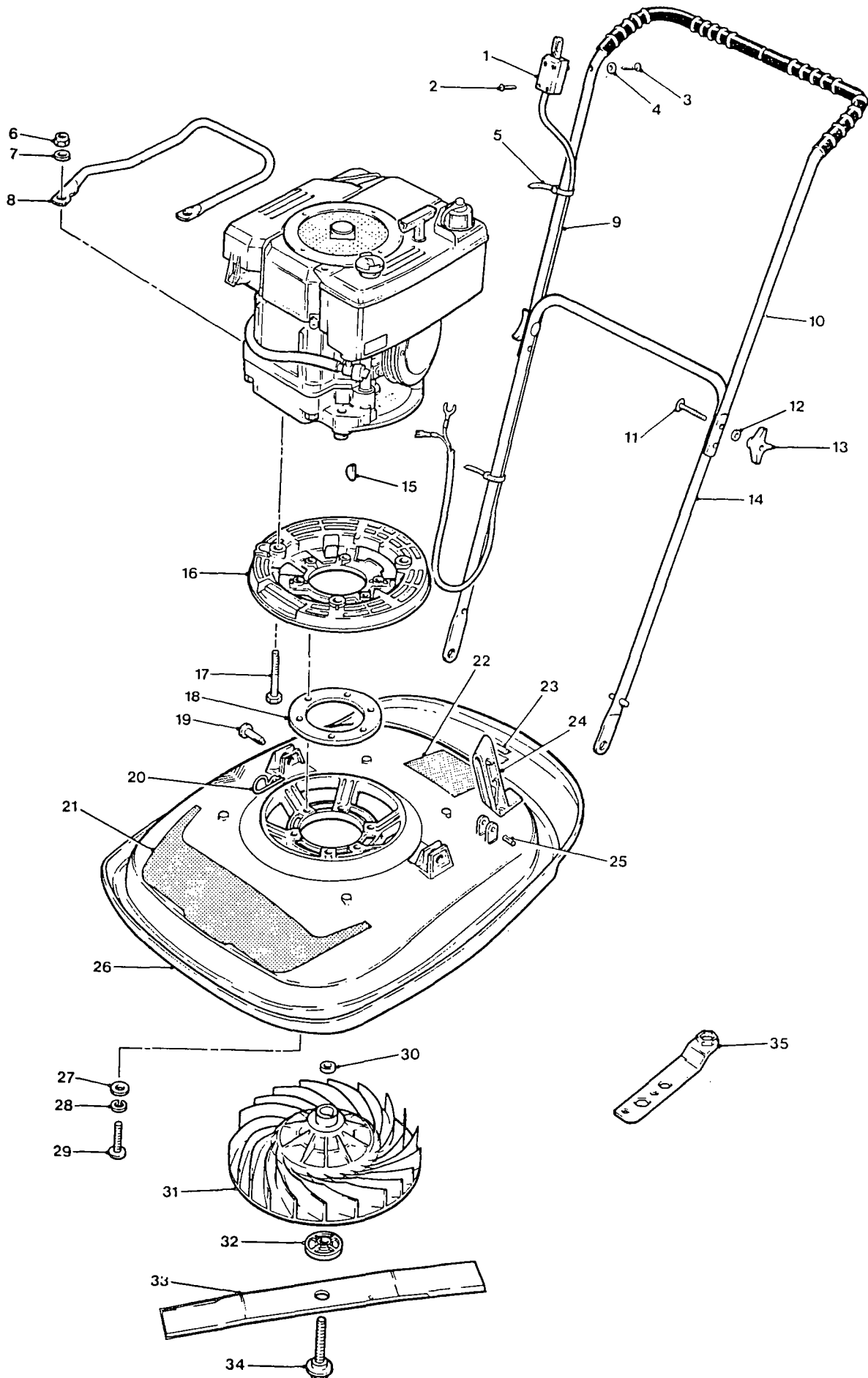


Flymo

GT4S-3 9631042-54




GT4S-3 9631042-54

KEY NO.	PART No.	QUANTITY	DESCRIPTION	COMMENTS
1	5140500-00/9	1	SWITCH	
2	5140508-00/2	4	SCREW	
3	5146731-00/4	1	SCREW	
4	5146338-00/8	1	WASHER NETTLE FOLD	
5	5147150-00/6	2	TIE WRAP	
6	5140837-00/5	3	NUT NYLOC 5/16UNC.	
7	5140281-04/8	3	WASHER	
8	5126293-03/3	1	HANDLE CARRYING	
9	5140510-02/4	1	CABLE	
10	5116120-10/5	1	HANDLE UPPER C/W GRIP	PRAM TYPE
11	5140607-00/2	2	BOLT HANDLE 1/4 UNC X 45LG	
12	5140266-00/7	2	WASHER	
13	5140690-00/8	2	KNOB WING	
14	5126696-00/3	1	HANDLE LOWER	
15	5140053-00/9	1	KEY	
16	5106086-02/7	1	PLATE ADAPTOR	
17	5140045-05/4	3	SCREW 5/16UNC	
18	5136622-00/7	1	RING ADAPTOR	
19	5140092-00/7	2	PIN LOCKING	
20	5140423-00/4	2	PIN RETAINING	
21	5116431-00/7	1	LABEL FLYMO	
22	5146485-00/7	1	LABEL WARNING	GB
	5136558-00/3	1	LABEL WARNING	A.B.CH.D.F.NL.
	5136706-00/8	1	LABEL WARNING	DK.N.S.SF.
	5136303-00/4	1	LABEL WARNING	O/S.E.P.I.
23	5116804-81/5	1	LABEL RATING/NOISE LEVEL	
	5116735-67/0	1	LABEL RATING/NOISE LEVEL	DK.N.S.SF.
24	5116388-04/1	1	LEVER UP STOP	
25	5147029-01/0	1	ROLL PIN	
26	5106206-05/4	1	HOOD 47CM LESS UPSTOP	ALT USE 5106206-10/4
	5147924-11/1	1	HOOD ASSY C/W UPSTOP	
27	5146309-00/9	6	WASHER	
28	5147524-00/2	6	WASHER SPRING	
29	5141585-03/3	6	SCREW 1/4"—20UNC X 31.75LG	LONG LOCK
30	5147779-00/2	1	SPACER IMPELLER	
31	5116507-00/4	1	IMPELLER	BORED DEPTH 30MM ALT USE 5116968-00/8
32	5140001-00/8	3	BLADE SPACER	
33	5120220-00/8	1	BLADE 47CM	
34	5146677-08/2	1	BOLT BLADE 80.5 MM LONG	
35	5130109-00/1	1	SPANNER	

PRODUCT VARIANT

9631042-51 GB.

9631042-52 A.B.CH.NL.

9631042-53 DK.N.S.SF.

9631042-54 O/S.E.P.I.

Flymo**GT4S-3 9631042-54****NOTES:****Technical Data**

(U.K. Specifications - Overseas variance may occur)

POWER UNIT:	TECUMSEH BV153	CUTTING HEIGHT MAX:	34 mm (1 $\frac{3}{8}$ ")
CC/HP:	3.5 HP	CUTTING HEIGHT MIN:	10 mm ($\frac{7}{8}$ ")
ENGINE RPM:	3800	DISTANCE WASHERS MAX:	3
FUEL: (Petrol)	92 Octane (2 Star)	DISTANCE WASHERS MIN:	0
SPARK PLUG:	Champion RJ17LM Bosch WR9EO	WIDTH OF CUT:	47 CM

Descriptive features

UP STOP:	Plastic
HANDLE FIXING:	Locked by Bolts and Wing Nuts.
DISTINGUISHING COLOUR:	Engine: Brown. Tank and Air Cleaner: Brown. Hood: Orange