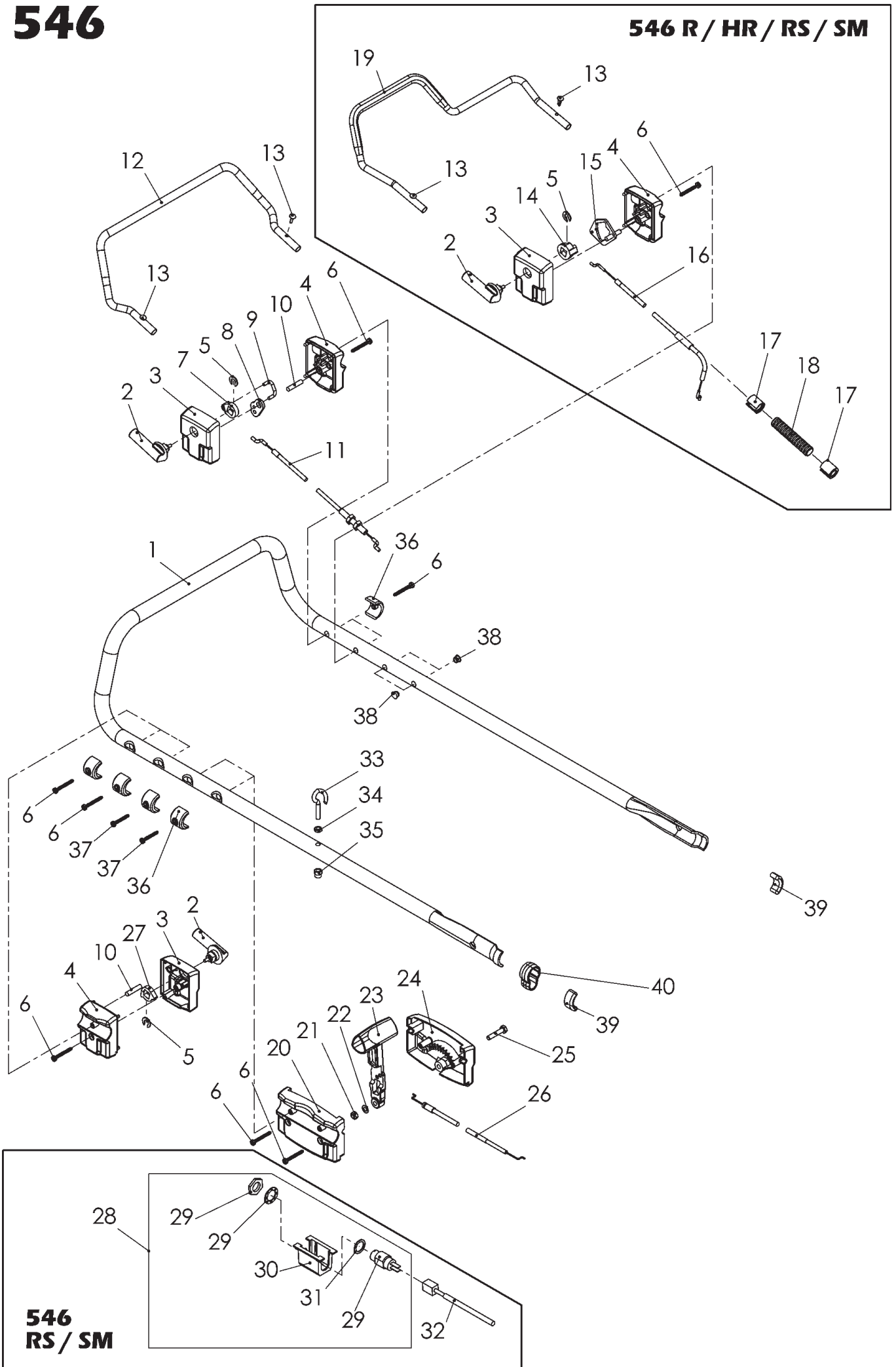


546

546 R / HR / RS / SM

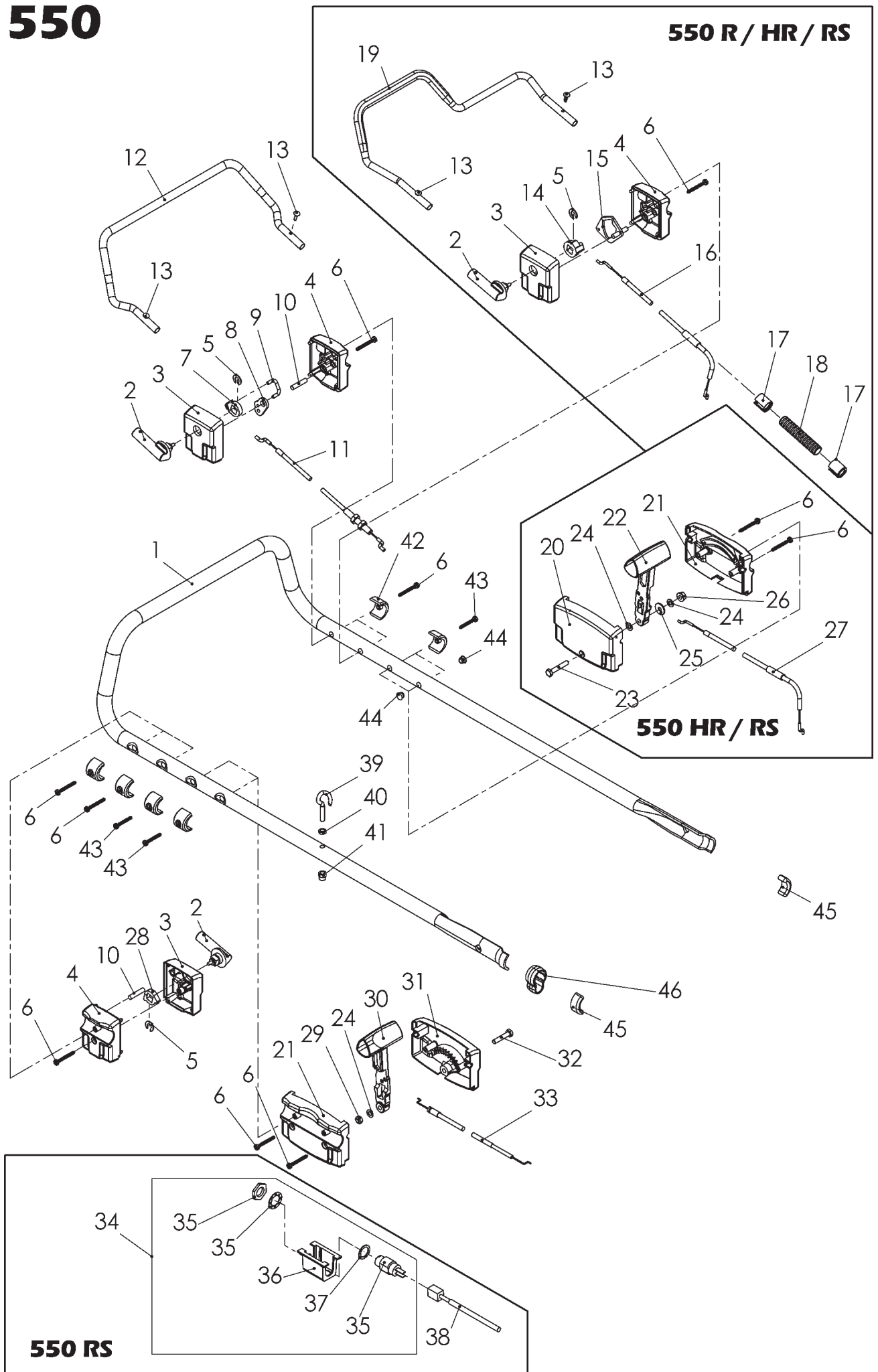


546 RS / SM

Spare Parts List 546

<i>Pos..</i>	<i>Order-No.</i>	<i>Model</i>	<i>Qty.</i>	<i>Description</i>
1	50 35 965		1	handle upperport
2	58 00 491	546	2	handle support
2	58 00 491	R/HR/RS/SM	4	handle support
3	50 74 959	546	2	housing inside
3	50 74 959	R/HR/RS/SM	4	housing inside
4	50 74 958	546	2	housing outside
4	50 74 958	R/HR/RS/SM	4	housing outside
5	00 55 104	546	2	safety washer
5	00 55 104	R/HR/RS/SM	4	safety washer
6	00 18 358	546	6	screw
6	00 18 358	R/HR/RS/SM	12	screw
7	50 74 126		1	handle
8	50 74 122		1	handle 2
9	50 36 406		1	tie rod
10	00 40 197	546	2	pin
10	00 40 197	R/HR/RS/SM	3	pin
11	38 00 350		1	cable bowden brake
12	50 35 111		1	handle, engine brake
13	00 44 286	546	2	cover pin
13	00 44 286	R/HR/RS/SM	4	cover pin
14	50 16 100	R/HR/RS/SM	1	switch -cam
15	58 00 487	R/HR/RS/SM	1	switch-lever
16	38 00 361	R/HR/RS/SM	1	cable bowden drive
17	50 74 204	R/HR/RS/SM	2	sleeve
18	00 64 427	R/HR/RS/SM	1	hose d=12mm
19	50 35 112	R/HR/RS/SM	1	handle drive
20	50 74 956		1	cover outside
21	00 20 122		1	selflocking nut DIN 935 yellow
22	00 72 111		1	washer 6,2x12x0,6-DIN 2093 TE
23	50 74 950		1	throttle lever
24	58 00 478		1	switch -housing
25	00 12 171		1	nut M6x30 DIN 931
26	38 00 359	546	1	bowdencable gas
26	38 00 356	R/RS/SM	1	bowdencable gas
26	38 00 358	HR	1	bowdencable gas
27	50 74 127	546	1	clip
27	50 74 127	R/HR/RS/SM	2	clip
28	58 00 267	RS/SM	1	ignition holder
29	79 00 296	RS/SM	1	ignition lock
30	50 74 529	RS/SM	1	ignition holder
31	00 31 518	RS/SM	2	washer 16x22x1 DIN 988
32	79 00 304	RS/SM	1	cable unit
33	50 31 980		1	special screw
34	00 20 116		1	nut M6 DIN 439B gelb
35	00 24 110		1	nut M6 DIN 1587
36	50 74 110	546	4	support
36	50 74 110	R/HR/RS/SM	6	support
37	00 18 376	R/HR/RS/SM	2	screw 4x30 kt
38	50 74 440	546	8	plug 8,5x7,25x11
38	50 74 440	R/HR/RS/SM	4	plug 8,5x7,25x11
39	50 74 246		2	cover, protector
40	50 74 100		1	bowdencable support

550



Spare Parts List 550

<i>Pos..</i>	<i>Order-No.</i>	<i>Model</i>	<i>Qty.</i>	<i>Description</i>
1	50 35 965		1	handle upperport
2	58 00 491	550	2	handle support
2	58 00 491	R/HR/RS/RA	4	handle support
3	50 74 959	550	2	housing inside
3	50 74 959	R/HR/RS/RA	4	housing inside
4	50 74 958	550	2	housing outside
4	50 74 958	R/HR/RS/RA	4	housing outside
5	00 55 104	550	2	safety washer
5	00 55 104	R/HR/RS/RA	4	safety washer
6	00 18 358	550	6	screw
6	00 18 358	R	10	screw
6	00 18 358	HR/RS/RA	12	screw
7	50 74 126		1	handle
8	50 74 122		1	handle 2
9	50 36 406		1	tie rod
10	00 40 197	550	2	pin
10	00 40 197	R/HR/RS/RA	3	pin
11	38 00 351			cable bowden brake
12	50 35 111		1	handle, engine brake
13	00 44 286	550	2	cover pin
13	00 44 286	R/HR/RS/RA	4	cover pin
14	50 16 100	R/HR/RS/RA	1	switch -cam
15	58 00 487	R/HR/RS/RA	1	switch-lever
16	38 00 361	R/HR/RS/RA	1	cable bowden drive
17	50 74 204	R/HR/RS	2	sleeve
18	00 64 427	R/HR/RS	1	hose d=12mm
19	50 35 112	R/HR/RS/RA	1	handle drive
20	58 00 479	HR/RS/RA	1	switch -housing Vario
21	50 74 956	HR/RS	1	cover outside
21	50 74 956	HR/RS/RA	2	cover outside
22	58 00 488	HR/RS/RA	1	lever with sleeve
23	00 12 125	HR/RS/RA	1	nut M6x35 DIN 931-8.8
24	00 72 111	550/R	1	washer 6,2x12x0,6-DIN 2093 TE
24	00 72 111	HR/RS/RA	3	washer 6,2x12x0,6-DIN 2093 TE
25	00 30 125			washer 6,4 DIN 9021 ST ZN yellow
26	00 28 119	HR/RS/RA	1	nut M6 DIN 980
27	38 00 360	HR/RS/RA	1	bowden cable Vario
28	50 74 127	550	1	clip
28	50 74 127	R/HR/RS/RA	2	clip
29	00 20 122		1	selflocking nut DIN 935 yellow
30	50 74 950		1	throttle lever
31	58 00 478		1	switch housing inside
32	00 12 171		1	nut M6x30 DIN 931Bowden
33	38 00 353	550	1	bowdencable gas
33	38 00 358	R/RS	1	bowdencable gas
33	38 00 355	HR/RA	1	bowdencable gas
34	58 00 267	RS	1	ignition holdcer
35	79 00 296	RS	1	ignition lock
36	50 74 529	RS	1	ignition holdcer
37	00 31 518	RS	2	washer 16x22x1 DIN 988
38	79 00 306	RS	1	cable unit
39	50 31 980		1	special screw
40	00 20 116		1	nut M6 DIN 439B yellow
41	00 24 110		1	nut M6 DIN 1587
42	50 74 110	550	4	support
42	50 74 110	R	6	support
42	50 74 110	HR/RS	8	support
43	00 18 376	550/R	2	screw 4x30 kt
43	00 18 376	HR/RS/RA	4	screw 4x30 kt
44	50 74 440	550	8	plug 8,5x7,25x11
44	50 74 440	R	4	plug 8,5x7,25x11
45	50 74 246		2	cover, protector
46	50 74 100		1	bowdencable support

53 00 672 Axle Rear Wheel Lawn Mower 546R

Stück	Teile-Nr.	Bezeichnung
1	30 00 226	Gear
1	53 00 670	rear wheel axle - left
2	00 53 213	slide bearing 12x14x15
1	53 00 671	rear wheel axle - right
2	00 53 213	slide bearing 12x14x15
1	00 17 103	screw 8x20
1	00 28 107	nut M8 DIN 980
2	00 31 537	washer 12,2x26x1
2	50 73 631	cover
2	50 45 702	pot
2	00 40 196	pin 5 h8x24
1	50 38 437	freewheel toothed - left
1	50 38 438	freewheel toothed - right
2	00 61 336	felt ring 11x23x2,5
2	00 31 618	washer 12,1x22x1
2	00 55 134	safety clip 12x1 DIN 471
2	53 00 675	wheel D 200 VS. +1x 53 00 676 +2x 0055272 +1x50 74 302 +2x 00 18 257
2	50 74 157	wheel cover Nr.5600.002.00
2	00 31 552	washer 12,2x35x0,5
2	00 72 155	washer 12,5x25x0,7 2093 Te.
2	00 31 210	washer 12x18x1,2 988 SS
2	00 31 540	washer 5,5x27x1 Drk.
2	00 18 193	nut M5x12 Flsh.-TT.Wn 78

53 00 673 Axle Rear Wheel Lawn Mower 550

Stück	Teile-Nr.	Bezeichnung
1	30 00 227	Gear
1	53 00 668	rear wheel axle - right
2	00 53 213	slide bearing 12x14x15
1	53 00 669	rear wheel axle - left
2	00 53 213	slide bearing 12x14x15
1	00 17 103	screw 8x20
1	00 28 107	nut M8 DIN 980
2	00 31 537	washer 12,2x26x1
2	50 73 631	cover
2	50 45 702	pot
2	00 40 196	pin 5 h8x24
1	50 38 437	freewheel toothed - left
1	50 38 438	freewheel toothed - right
2	00 61 336	felt ring 11x23x2,5
2	00 31 618	washer 12,1x22x1
2	00 55 134	safety clip 12x1 DIN 471
2	53 00 674	wheel 200 D (wheel rim 50 73 622+ cover 50 73 544+ 2x 00 52 272+ 1x 50 74 302 + 2x 00 18 257)
2	50 74 157	wheel cover Nr.5600.002.00
2	00 31 552	washer 12,2x35x0,5
2	00 72 155	washer 12,5x25x0,7 2093 Te.
2	00 31 210	washer 12x18x1,2 988 SS
2	00 31 540	washer 5,5x27x1 Drk.
2	00 18 193	nut M5x12 Flsh.-TT.Wn 78

Table of contents - Bowdencables Lawn Mower

Type	Engine	Bowdencable Throttle	Bowdencable-Brake	Bowdencable-Drive	Bowdencable-Vario
546	B&S XM45	38 00 359	38 00 350	/	/
546-02 R	B&S XM45	38 00 356	38 00 350	38 00 361	/
546-03 HR	GCV 135 Honda	38 00 358	38 00 350	38 00 361	/
546-05 RS	B&S XM45	38 00 356	38 00 350	38 00 361	/
546-06 SM	B&S ES 40	38 00 356	38 00 350	38 00 361	/
550	B&S XM45	38 00 353	38 00 351	/	/
550-02 R	B&S XM45	38 00 358	38 00 351	38 00 362	/
550-03 HR	GCV 160 Honda	38 00 355	38 00 351	38 00 362	38 00 360
550-05 RS	B&S XM45	38 00 358	38 00 351	38 00 362	38 00 360
550-0210 RA	B&S Intek-Edge-6PS	38 00 355	38 00 351	38 00 362	38 00 360
551-02 R	B&S 55 I/C	38 00 297*	38 00 317*	38 00 318*	/
552-03 HR	GXV 160 Honda	38 00 291*	38 00 315*	38 00 318*	/
554	B&S XM45	38 00 359	38 00 350	/	/
582	B&S XM45	38 00 357	38 00 342*	/	/
582 04 o.Mot	B&S XM45	38 00 357	38 00 342*	/	/
582-06 SM	B&S Classic35	38 00 364	38 00 313*	/	/
585-01 H	GCV 135 Honda	38 00 353	38 00 352	/	/

Additional fixation parts for Lawn Mower 550 R 1-Gear Version

Parts for tension pulley-drive felt

Stück	Teile-Nr.	Bezeichnung
1	00 28 116	nut M8 STO
2	00 72 145	safety washer
1	53 00 679	belt tensioner
1	00 12 184	nut M8x45

Parts for tension Gear

Stück	Teile-Nr.	Bezeichnung
2	00 33 398	tube 9x1,8x25
1	50 42 860	flap
2	00 18 185	nut M6x20
2	00 72 140	washer 5,2x12x0,5
2	00 18 282	screw M5x45