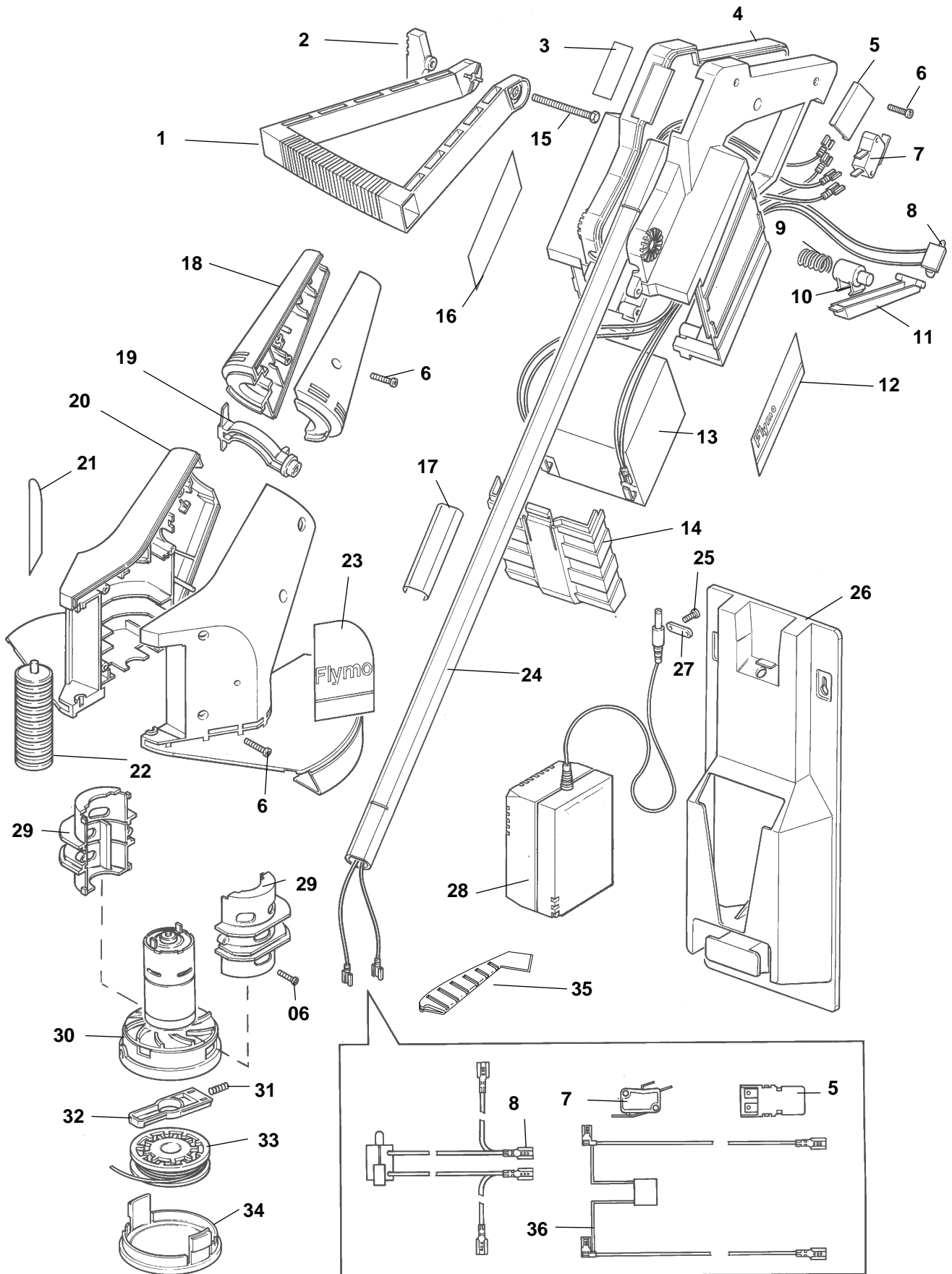


MODEL	Multi trim CT250
PRODUCT NO.	9648522, 9648529



# Flymo

MODEL	Multi trim CT250
PRODUCT NO.	9648522, 9648529

1

KEY	PART NUMBER	DESCRIPTION	QTY
01	5117312-01/6	HANDLE ASSIST	1
02	5137679-00/6	WING KNOB	1
03	5149085-00/2	LABEL,WARNING	1 GB.EI.
	5149248-00/6	LABEL,WARNING	1 F.B.NL.D.A.I.P.E.N.S.DK.SF.CH.
04	5149245-00/2	BATTERY HOUSING,PAIR	1
05	5138124-00/2	THERMAL CUT-OUT	1
06	5146672-00/0	SCREW	13
07	5149190-00/0	SWITCH	1
08	5149152-00/0	HARNESS,PCB	1
09	5149189-00/2	SPRING LOCK OFF	1
10	5138327-00/1	BUTTON LOCK OFF	1
11	5137609-02/9	SWITCH LEVER	1
12	5149082-01/7	LABEL,L/H BATTERY HOUSING	1
13	5138125-00/9	BATTERY	1
14	5117660-00/0	ACCESS DOOR,BATTERY	1
15	5149140-00/5	HEX BOLT	1
16	5149082-00/9	LABEL,R/H BATTERY HOUSING	1
17	5149101-00/7	LABEL,WARNING	1 GB.EI.
	5149251-00/0	LABEL,WARNING	1 F.B.NL.D.A.I.P.E.N.S.DK.SF.CH.
18	5148915-00/1	SWIVELS,PAIR	1
19	5137842-01/8	SWIVEL LOCK BUTTON	1
20	5149334-02/0	CLAMSHELLS,PAIR	1
21	5149080-00/3	LABEL,C/SHELL R/H	1
22	5148323-01/6	ROLLER	1
23	5149080-01/1	LABEL,C/SHELL L/H	1
24	5126981-68/6	HANDLE TUBE	1
25	5148522-00/5	SCREW	2
26	5106543-00/1	CHARGE BRACKET	1
27	5140705-00/4	CABLE CLAMP	1
28	5138128-00/3	BATTERY CHARGER	1 GB.EI.
	5138304-01/8	BATTERY CHARGER	1 F.B.NL.D.A.I.P.E.N.S.DK.SF.CH.
29	5149255-00/1	MOTOR ADAPTOR,PAIR	1
30	5127441-00/3	CUTTING HEAD/MOTOR ASSY	1
31	5149129-00/8	SPRING,LINE FEEDER	1
32	5127198-00/9	LINE FEEDER	1
33	5137651-01/3	SPOOL & LINE	1
34	5126976-00/9	SPOOL COVER	1
35	5126913-00/2	SCRAPER	1
36	5149151-00/2	HARNESS,CAPACITOR	1

#### PRODUCT APPLICATION

9648522-25 GB.EI.  
9648522-86 F.B.NL.D.A.I.P.E.N.S.DK.SF.CH  
9648529-25 GB.EI.  
9648529-86 F.B.NL.D.A.I.P.E.N.S.DK.SF.CH

WHERE NO APPLICATION DETAILS ARE SHOWN, PART APPLIES TO ALL COUNTRIES

A Austria; AUS Australia; B Belgium; CND Canada; CH Switzerland; D Germany; DK Denmark; E Spain; EI Eire; F France;  
GB Great Britain; I Italy; N Norway; NL Netherlands; NZ New Zealand; O/S Overseas; P Portugal; S Sweden; SF Finland;  
USA America; ZA South Africa