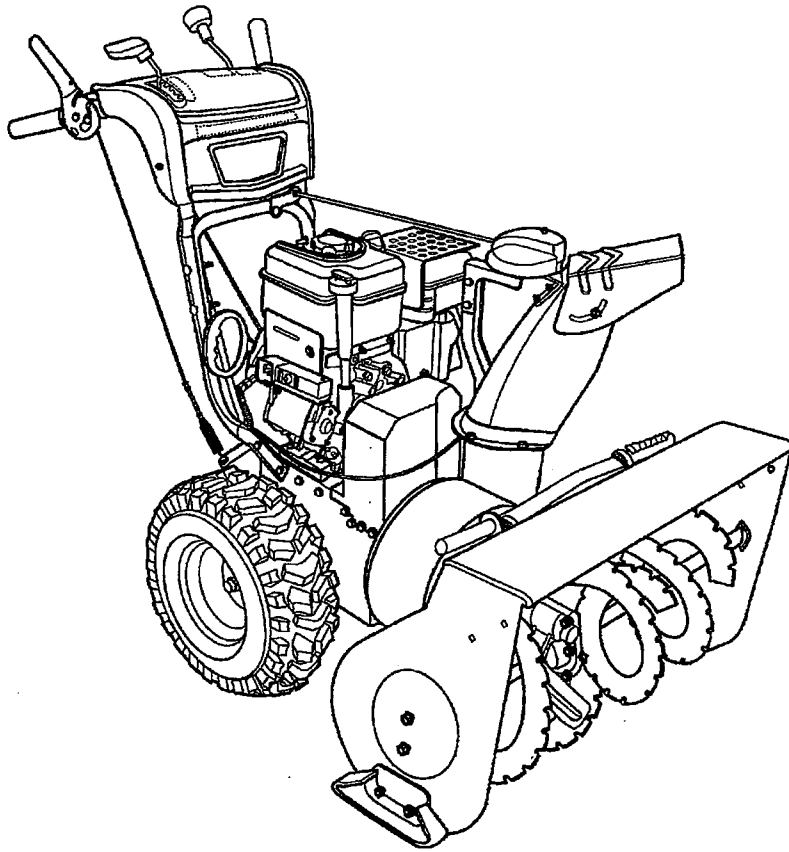


CAN 8,5/27

PARTS LIST

EM 69M50

MODEL
1695696

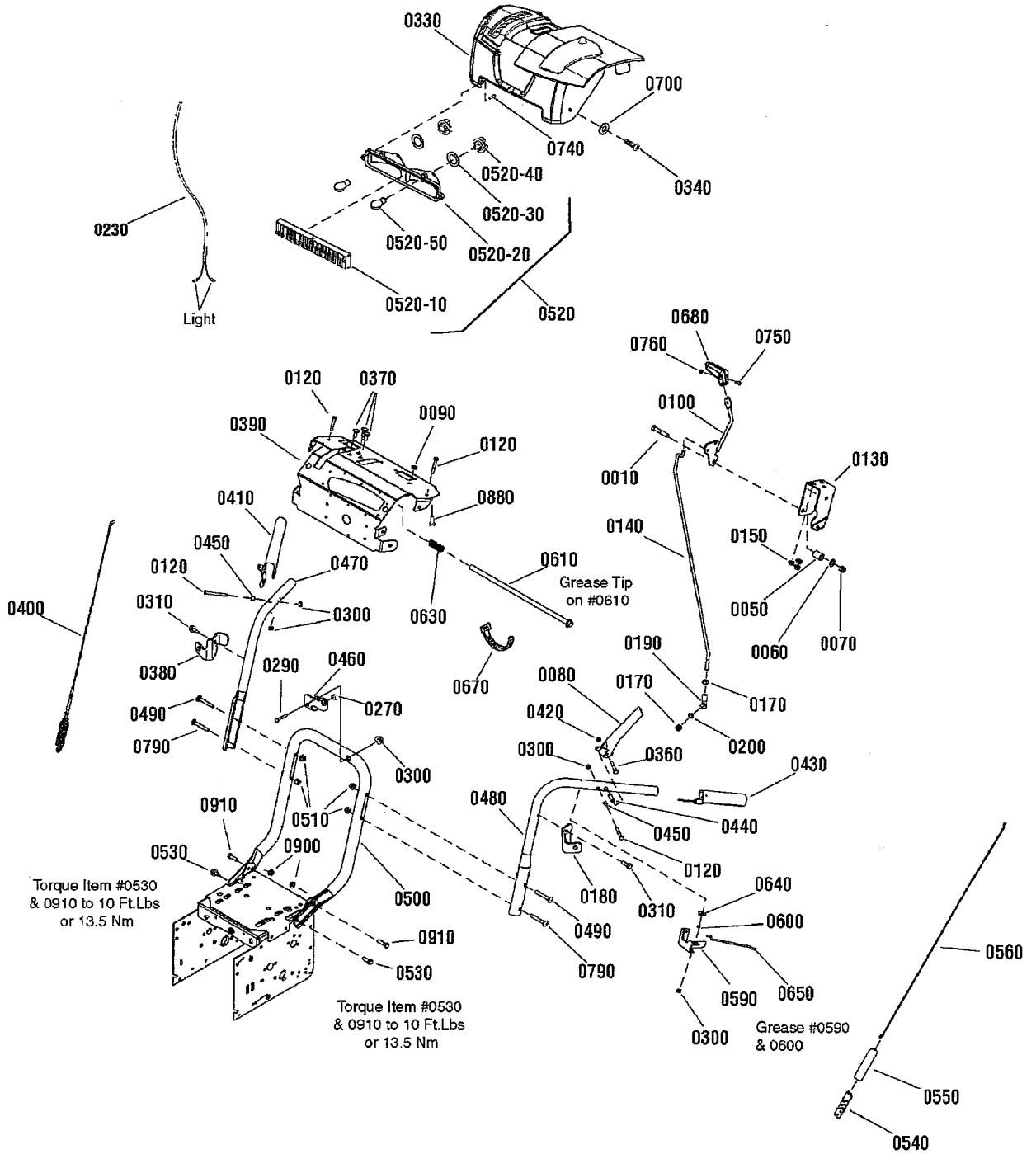


1738916

Handles and Controls Group

2988574

NOTE: Unless noted otherwise,
use the standard hardware torque
specification chart.



The above parts group applies to the following Mfg. Nos.:
1695696 - Canadiana 11.5 TP Snowthrower

Handles and Controls Group

REF NO	PART NO.		DESCRIPTION
0010	1923701SM	1	CAPSCREW, Hex Head, 3/8-16 x 2 (Grade 5)
0050	50786MA	1	SPRING, 3/4
0060	1918266SM	1	WASHER, 3/8
0070	1919439SM	1	NUT, Hex Lock, Esna Light, 3/8-16
0080	1737690YP	1	LEVER, Clutch, Left
0090	1667588SM	1	BUSHING, Nylon, 3/8ID x 1/2OD x 1/4 long
0100	1736836YP	1	SPEED LEVER
0120	1921962SM	4	CAPSCREW, Hex Head, 1/4-20 x 1-3/4 (Grade 5)
0130	1737684YP	1	BRACKET, Controls
0140	1734354SM	1	ROD
0150	1931277SM	3	NUT, Hex Flange, 5/16-18
0170	2820263SM	2	NUT, Hex, 5/16-24
0180	1736174YP	1	BRACKET, Mounting, Panel, Left
0190	50782MA	1	BALL JOINT
0200	1917356SM	1	LOCKWASHER, Spring, 5/16
0230	1738286YP	1	WIRING HARNESS, Headlights
0270	1501874MA	1	BUSHING, Chute Crank
0290	1931323SM	1	BOLT, Carriage, 1/4-20 x 2 (Grade 5)
0300	1920397SM	6	NUT, Hex Lock, Esna Light, 1/4-20
0310	1927429SM	2	SCREW, Hex Washer Head, Taptite, 1/4-20 x 5/8
0330	1736186YP	1	DASH ASSEMBLY, Twin Light
0340	1960556SM	2	SCREW, Pan Head Torx, Taptite, 1/4-20 x 3/4
0360	1922837SM	2	CAPSCREW, Hex Head, 1/4-20 x 1-1/2 (Grade 5)
0370	340720MA	3	BOLT, Carriage, 5/16-18 x 3/4
0380	1736175YP	1	BRACKET, Mounting, Panel, Right
0390	1737685AYP	1	SUPPORT, Dash Panel
0400	1732471SM	1	CABLE AND SPRING ASSEMBLY, Auger Drive, Right
0410	1736323YP	1	LEVER, Clutch, Right
0420	1923358SM	2	NUT, Centerlock Hex, 1/4-20
0430	1726317SM	2	GRIP
0440	1736542YP	2	SPACER, Stepped
0450	1678392SM	2	SPACER, 1/4ID x 3/8OD x 5/16
0460	1735589YP	1	BRACKET, Rod Support
0470	1734587ASM	1	HANDLE, Upper, Right
0480	1734586ASM	1	HANDLE, Upper, Left
0490	1960273SM	2	BOLT, Carriage, 5/16-18 x 2-1/4 G5
0500	1737759AYP	1	HANDLE, Lower
0510	1960686SM	4	NUT, Hex Flange, 5/16-18
0520	1736176YP	1	HEADLIGHT ASSEMBLY
0520-10	1736177YP	1	LENS, Twin Light
0520-20	1736178YP	1	DEFLECTOR, Twin Light

Footnotes

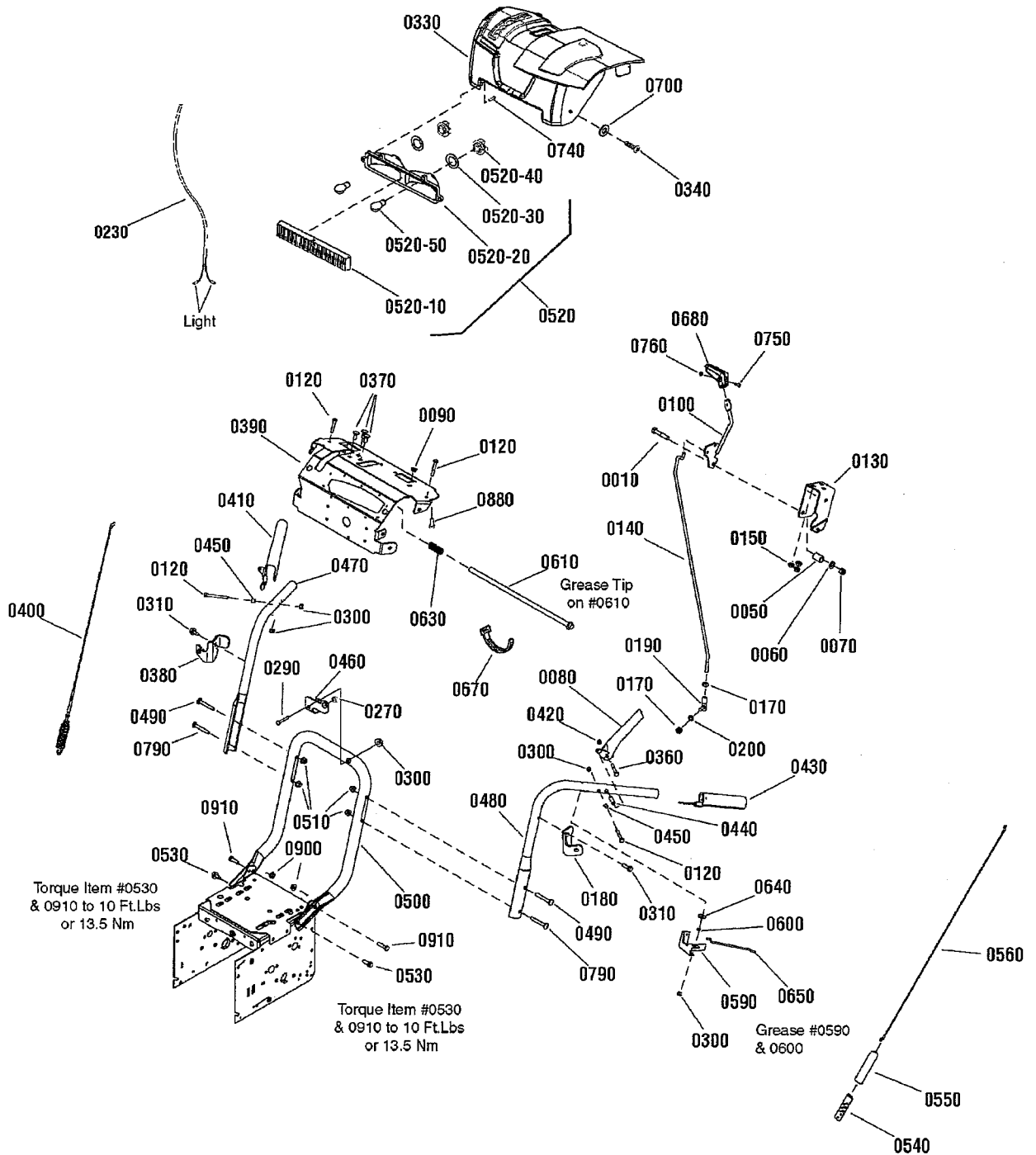
The above parts group applies to the following Mfg. Nos.:

1695696 - Canadiana 11.5 TP Snowthrower

Handles and Controls Group

2988574

NOTE: Unless noted otherwise,
use the standard hardware torque
specification chart.



The above parts group applies to the following Mfg. Nos.:
1695696 - Canadiana 11.5 TP Snowthrower

Handles and Controls Group

REF NO	PART NO.		DESCRIPTION
0520-30	1736179YP	2	GASKET, Single / Twin Light
0520-40	1736180YP	2	SOCKET, Single, Twin Light
0520-50	1736181YP	2	BULB, Twin Light
0530	1664847SM	2	SCREW, Hex Washer Head, Taptite, 5/16-18 x 3/4
0540	313441MA	2	BRACKET, Cable Adjusting
0550	308146MA	1	BOOT, Spring End Cover, 4 inch
0560	579944MA	1	CABLE, Front Drive
0590	1733505ASM	1	BRACKET, Pivot, Free Hand
0600	1733095SM	1	SPACER, 1/4ID x 3/8OD x 1/8
0610	1736363YP	1	ROD & SPRING ASSEMBLY
0630	2108360SM	1	SPRING, Compression
0640	1960353SM	1	WASHER, 1/4
0650	1736360YP	1	ROD
0670	1701011SM	5	TIE, Self Locking
0680	1733192SM	1	KNOB, Slot Speed
0700	1921319SM	2	WASHER, 1/4
0740	7091105YP	4	SCREW, #10-16 x 1/2
0750	1960589SM	1	SCREW, Round Head Phillips, #10-24 x 3/4
0760	1933896SM	1	NUT, Hex Lock, 10-24
0790	1931338SM	2	BOLT, Carriage, 5/16-18 x 1-3/4 (Grade 5)
0880	7091081SM	2	SCREW, 1/4-15 x 3/4
0900	1935048SM	2	NUT, Hex Flange, Two Way Lock, 5/16-18
0910	1921333SM	2	CAPSCREW, Hex Head, 5/16-18 x 1 (Grade 5)
0920	71071MA	2	WASHER, Flat

Footnotes

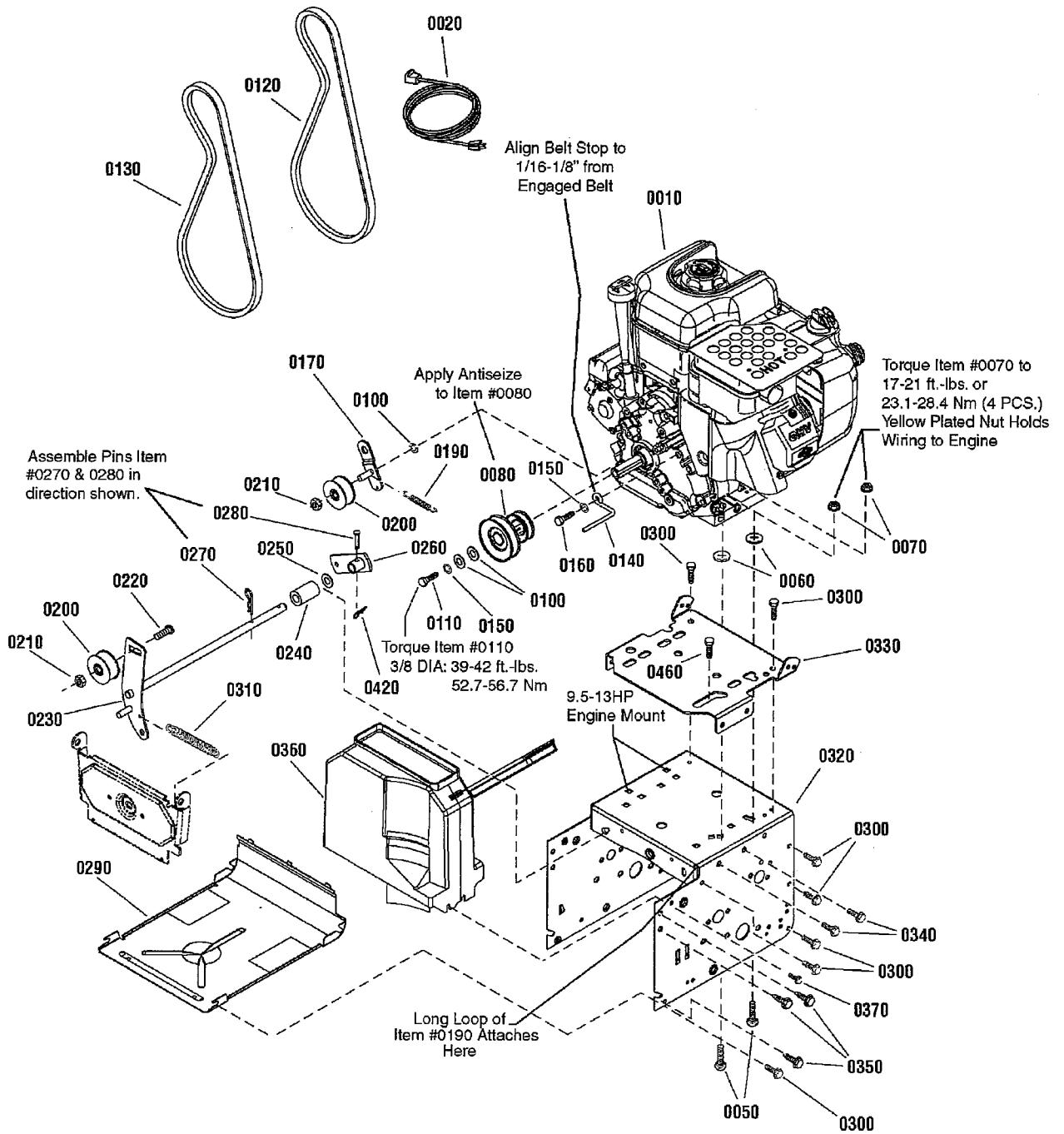
The above parts group applies to the following Mfg. Nos.:

1695696 - Canadiana 11.5 TP Snowthrower

Engine and Frame Group

NOTE: Unless noted otherwise, use the standard hardware torque specification chart.

2988573



The above parts group applies to the following Mfg. Nos.:

1695696 - Canadana 11.5 TP Snowthrower

Engine and Frame Group

REF NO	PART NO.		DESCRIPTION
0010	15C114-0121-E8	1	*ENGINE-11.5 TP B&S 60W 2010 EXP
0020	761332MA	1	CORD, Electric 220V
0050	002X97MA	4	BOLT, Carriage, 5/16-18 x 1-1/2
0060	028X76MA	4	PUSHNUT
0070	1960686SM	3	NUT, Hex Flange, 5/16-18
0080	1501109MA	1	PULLEY, Engine
0090	1922755SM	2	WASHER, 3/8
0100	1916965SM	1	LOCKWASHER, Spring, 3/8
0110	1960428SM	1	CAPSCREW, Hex Head, 3/8-24 x 1-1/4 (Grade 8)
0120	1733324SM	1	V-BELT, 3L 33.13
0130	585416MA	1	V-BELT, Auger, 4L
0140	1733014SM	1	STOP, Belt
0150	1917356SM	2	LOCKWASHER, Spring, 5/16
0160	1921515SM	2	CAPSCREW, Hex Head, 5/16-24 x 3/4 (Grade 5)
0170	1501112YZMA	1	IDLER BRACKET
0180	1501065MA	1	BUSHING, Idler Bracket
0190	53704MA	1	SPRING, Extension Idler
0200	1502120MA	2	IDLER, Plastic Ball Bearing
0210	1960251SM	2	NUT, Centerlock Hex, Jaam, 3/8-16
0220	585781MA	1	BOLT, Carriage, 3/8-16 x 1-1/4 G5
0230	1501226YZMA	1	AUGER IDLER
0240	1501200MA	1	SPACER, 1/2ID x 1OD x 1-3/4
0250	1960027SM	1	WASHER, 1/2
0260	1733451SM	1	ARM, Control
0270	711682MA	1	PIN, Hair
0280	1736381YP	1	PIN, Clevis
0290	1740906ASM	1	PANEL, Bottom
0300	1927429SM	12	SCREW, Hex Washer Head, Taptite, 1/4-20 x 5/8
0310	165X159MA	1	SPRING, Extension Auger
0320	1740572BNYP	1	FRAME BOX
0330	1733583BNYP	1	PLATE, Engine Mount
0340	1924856SM	4	SCREW, Hex Washer Head, Taptite, 5/16-18 x 1/2
0350	1684847SM	6	SCREW, Hex Washer Head, Taptite, 5/16-18 x 3/4
0360	1502169MA	1	COVER, Belt
0370	26X306MA	2	SCREW, 1/4-AB x 3/4
0420	7023590SM	1	COTTER PIN, 1/4
0460	2831277SM	1	NUT, Hex Flange, 5/16-18

Footnotes

Note* See your local Briggs & Stratton distributor for parts and service.

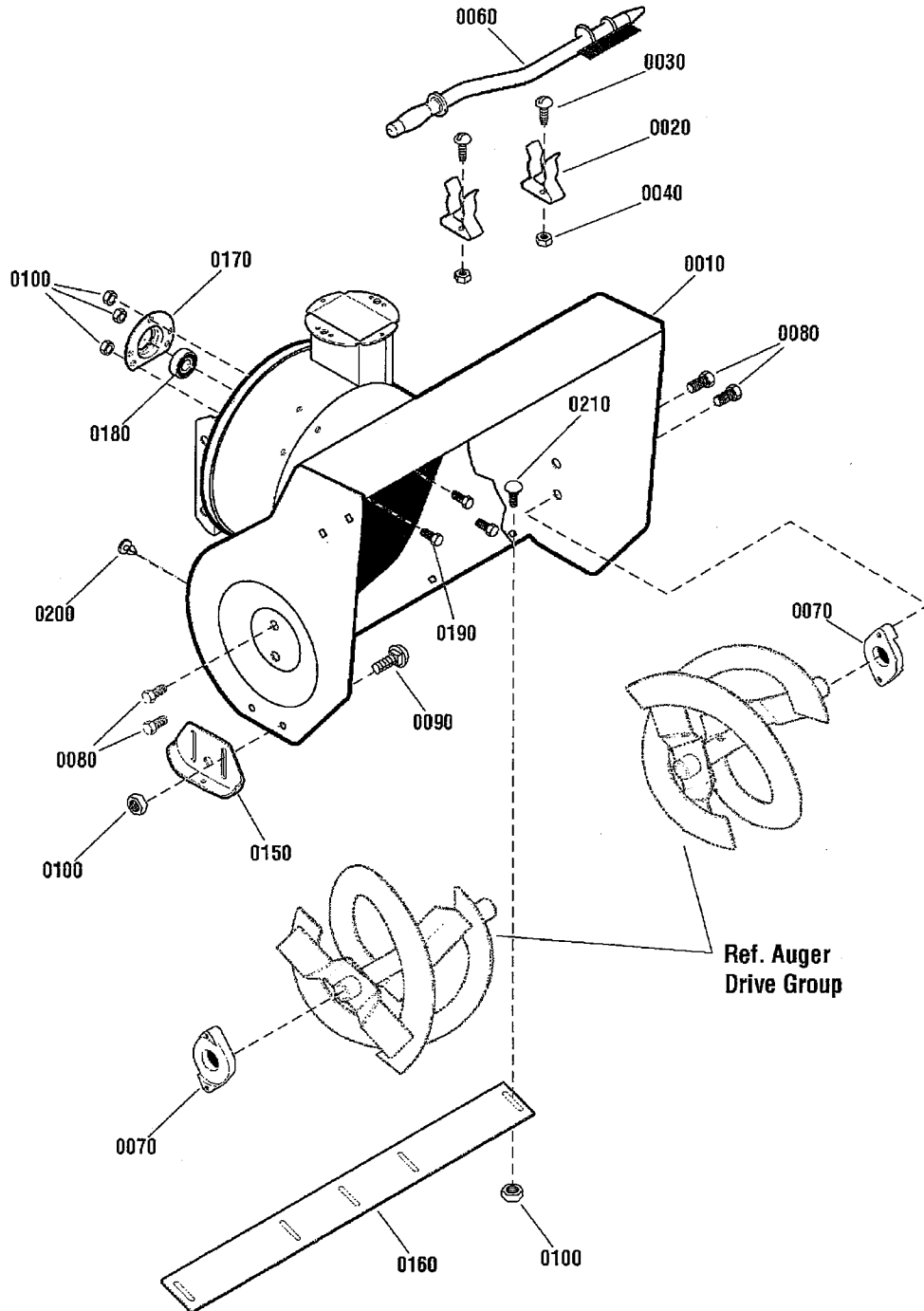
The above parts group applies to the following Mfg. Nos.:

1695696 - Canadiana 11.5 TP Snowthrower

Auger Housing Group

NOTE: Unless noted otherwise,
use the standard hardware torque
specification chart.

2988570



The above parts group applies to the following Mfg. Nos.:

1695696 - Canadiana 11.5 TP Snowthrower

Auger Housing Group

REF NO	PART NO.		DESCRIPTION
0010	1737926BNYP	1	AUGER HOUSING, 27
0020	1736620YP	2	CLAMP
0030	1960569SM	2	SCREW, Truss Head Torx, #10-24 x 3/8
0040	15X146MA	2	NUT, Nylock, 10 x 24
0060	1736094YP	1	BRUSH, Cleanout
0070	53757MA	2	BEARING, Auger Shaft
0080	25X021MA	4	SCREW, 5/16-18 x 3/4
0090	340720MA	4	BOLT, Carriage, 5/16-18 x 3/4
0100	710026MA	11	NUT, Hex Flange, 5/16-18
0150	1737985AYP	2	SKID, Height Adjust
0160	1740745AYP	1	BLADE, Scraper, 27
0170	1101161MA	1	RETAINER, Ball Bearing
0180	1705897SM	1	BEARING, Ball
0190	001X45MA	3	BOLT, Hex, 5/16-18 x 5/8
0200	760040MA	2	PLUG, Panel
0210	7090799SM	4	BOLT, Carriage, 5/16-18 x 5/8 (Grade 5)

Footnotes

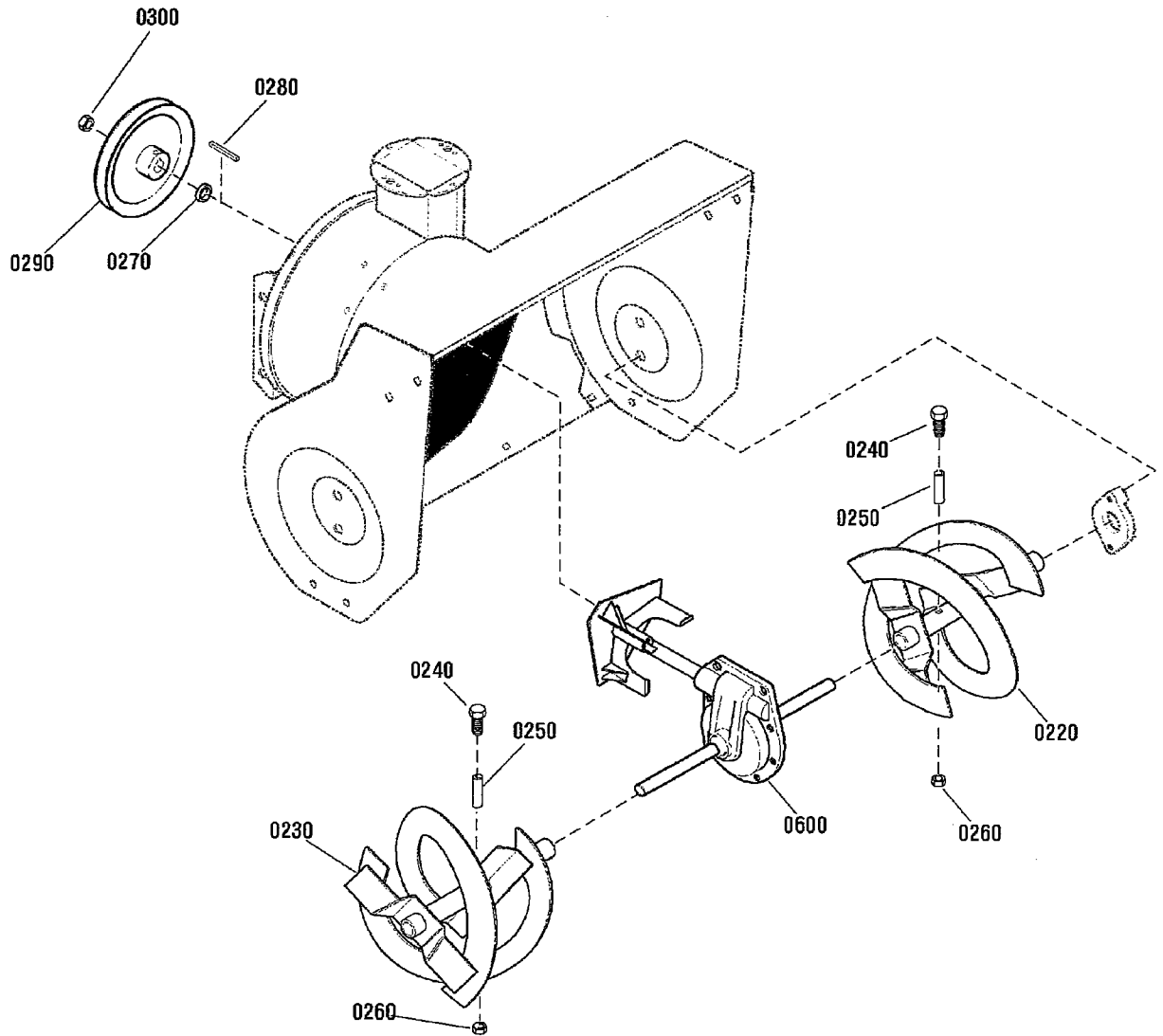
The above parts group applies to the following Mfg. Nos.:

1695696 - Canadiana 11.5 TP Snowthrower

Auger Drive Group

NOTE: Unless noted otherwise,
use the standard hardware torque
specification chart.

2988571



The above parts group applies to the following Mfg. Nos.:

1695696 - Canadiana 11.5 TP Snowthrower

Auger Drive Group

REF NO	PART NO.		DESCRIPTION
0220	1738044AYP	1	AUGER, 27, Left
0230	1738043AYP	1	AUGER, 27, Right
0240	9524MA	2	SCREW, 1/4-20 x 1-3/4 (Grade 2)
0250	3943MA	2	SPACER, Sleeve, 1/4 x 1/2
0260	73826MA	2	NUT, Centerlock Hex, 1/4-20
0270	1501158MA	1	SPACER, Friction Pulley
0280	2001022MA	1	KEY, Square, 3/16 x 3/4
0290	583146MA	1	PULLEY, 4L 8.40 OD.
0300	15X112MA	1	NUT, Hex Flange, 1/2-20
0600	1738603YP	1	GEAR CASE ASSEMBLY



Footnotes

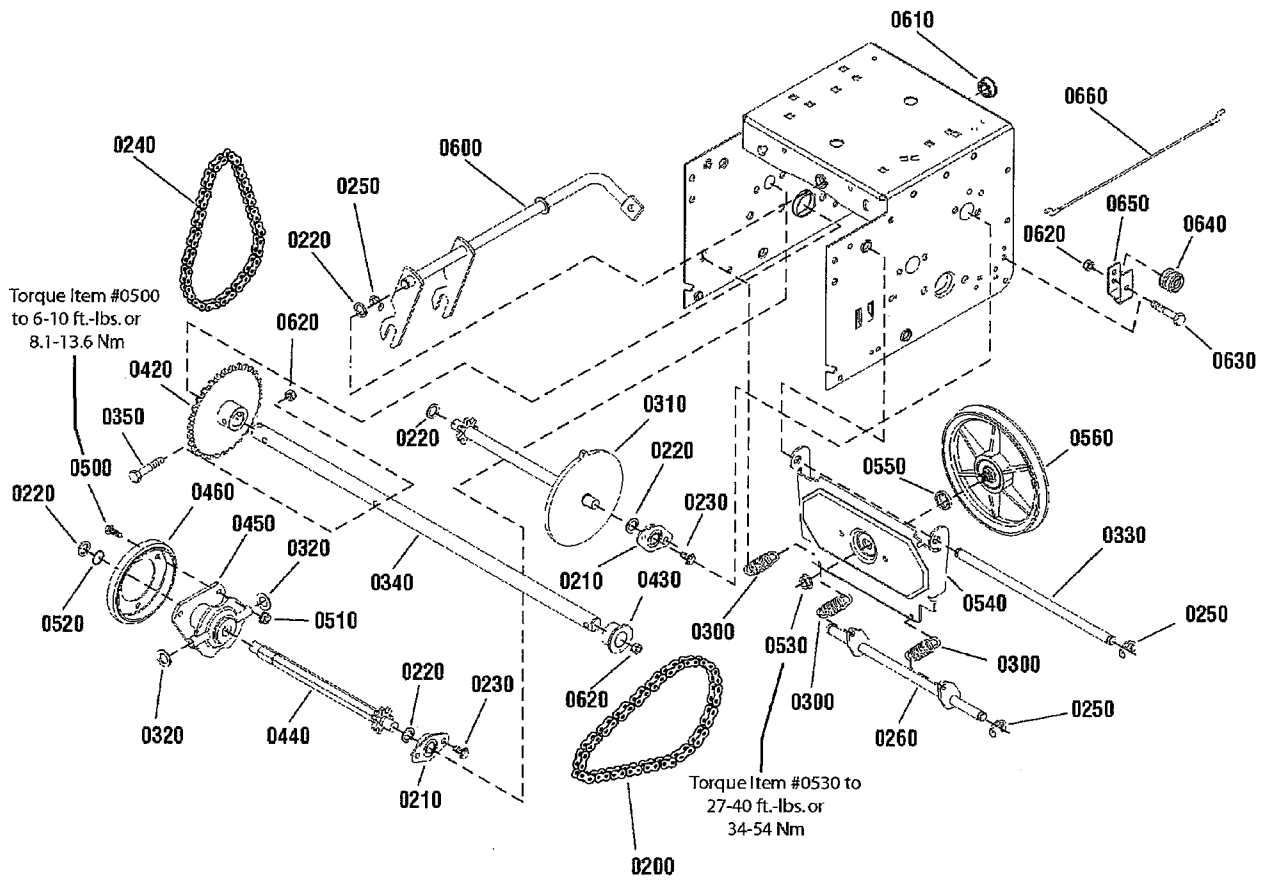
The above parts group applies to the following Mfg. Nos.:

1695696 - Canadiana 11.5 TP Snowthrower

Traction Drive Group

NOTE: Unless noted otherwise,
use the standard hardware torque
specification chart.

2988389



The above parts group applies to the following Mfg. Nos.:

1695696 - Canadiana 11.5 TP Snowthrower

Traction Drive Group

REF NO	PART NO.		DESCRIPTION
0200	579851MA	1	CHAIN, Roller
0210	334163MA	4	RETAINER & BUSHING ASSEMBLY
0220	579858MA	5	WASHER
0230	1924856SM	8	SCREW, Hex Washer Head Taptite, 5/16-18 x 1/2
0240	579868MA	1	CHAIN, Roller
0250	11X30MA	5	RETAINER, Ring 7/16
0260	1502105YZMA	1	SPRING LINK ASSEMBLY
0300	1736469YP	3	SPRING, Extension
0310	1501090MA	1	SPROCKET, Set
0320	1960027SM	2	WASHER, 1/2
0330	1501092YZMA	1	AXLE, Swing Plate
0340	1501563MA	1	AXLE, Bushing
0350	01X193MA	1	BOLT, Hex 1/4-20 x 1-3/4 G8
0420	1501089MA	1	SPROCKET, Axle
0430	1501114MA	2	BEARING, Axle D-Hole
0440	1501100MA	1	HEX SHAFT & SPROCKET ASSEMBLY
0450	337029MA	1	HUB, Friction Wheel & Bearing
0460	1501435MA	1	WHEEL, Friction
0500	1921959SM	3	CAPSCREW, Hex Head 1/4-20 x 5/8 G5
0510	1928372SM	3	NUT, Hex KEPS 1/4-20
0520	1733326SM	1	RING, Retaining Extension
0530	15X114MA	1	NUT, 3/8-24 Flange Lock
0540	1501057YZMA	1	PLATE, Swinging
0550	1501158MA	1	SPACER, Friction Pulley
0560	1501115MA	1	FRICTION PULLEY ASSEMBLY
0600	1501110YZMA	1	SPEED SELECT ASSEMBLY
0610	579944MA	1	BEARING, Flange
0620	1920397SM	2	NUT, Hex Lock ESNA Light 1/4-20
0630	1922837SM	1	CAPSCREW, Hex Head, 1/4-20 x 1-1/2 G5
0640	579860MA	1	SPOOL CABLE, Auger Control
0650	1501059YZMA	1	BRACKET, Cable Spool
0660	1501122MA	1	CABLE, Front Drive Lower All

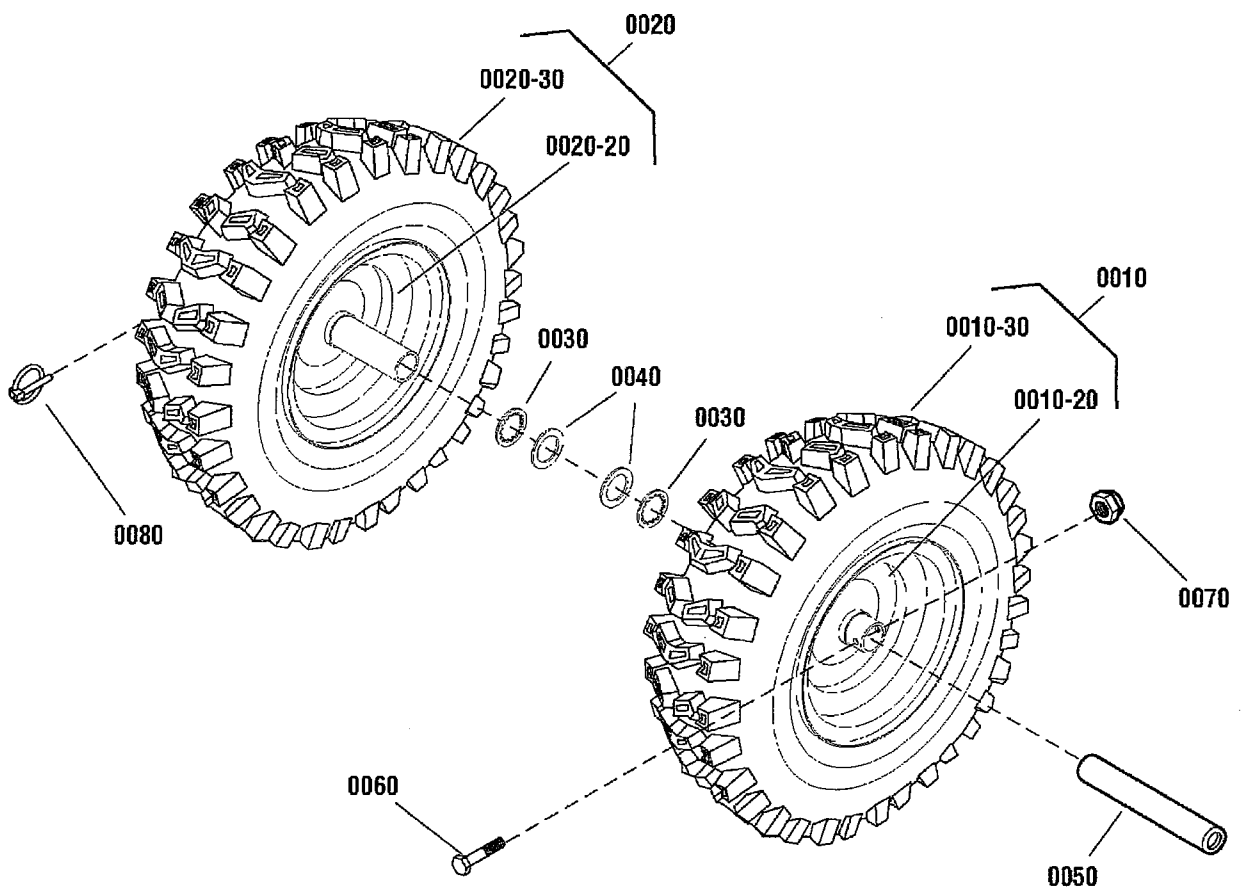
Footnotes

The above parts group applies to the following Mfg. Nos.:
1695696 - Canadiana 11.5 TP Snowthrower

Wheels and Tires Group

NOTE: Unless noted otherwise,
use the standard hardware torque
specification chart.

2988461



The above parts group applies to the following Mfg. Nos.:

1695696 - Canadiana 11.5 TP Snowthrower

Wheels and Tires Group

REF NO	PART NO.		DESCRIPTION
0010	1501839MA	1	WHEEL AND TIRE ASSEMBLY, 16 x 4.8, XTRACM, Left (Includes Ref. Nos. 0010-20 a 0010-30)
0010-20	2172353SM	21	VALVE STEM & CAP
0010-30	1735666SM	21	TIRE, 4.80-8, X-TRAC TL
0020	1501838MA	1	WHEEL AND TIRE ASSEMBLY, 16 x 4.8, XTRACM, Right (Includes Ref. Nos. 0020-20 and 0020-30)
0020-20	2172353SM	1	VALVE STEM & CAP
0020-30	1735666SM	1	TIRE, 4.80-8, X-TRAC TL
0030	239MA	2	RING, Retaining
0040	712120MA	2	WASHER
0050	1501138MA	2	BUSHING, Wheel, 5-1/2, 16 Tire
0060	577015MA	1	BOLT, Hex, 1/4-20 x 1-3/4 (Grade 5)
0070	15X145MA	1	NUT, Hex Nylock, 1/4-20
0080	73842MA	1	PIN, Klik

Footnotes

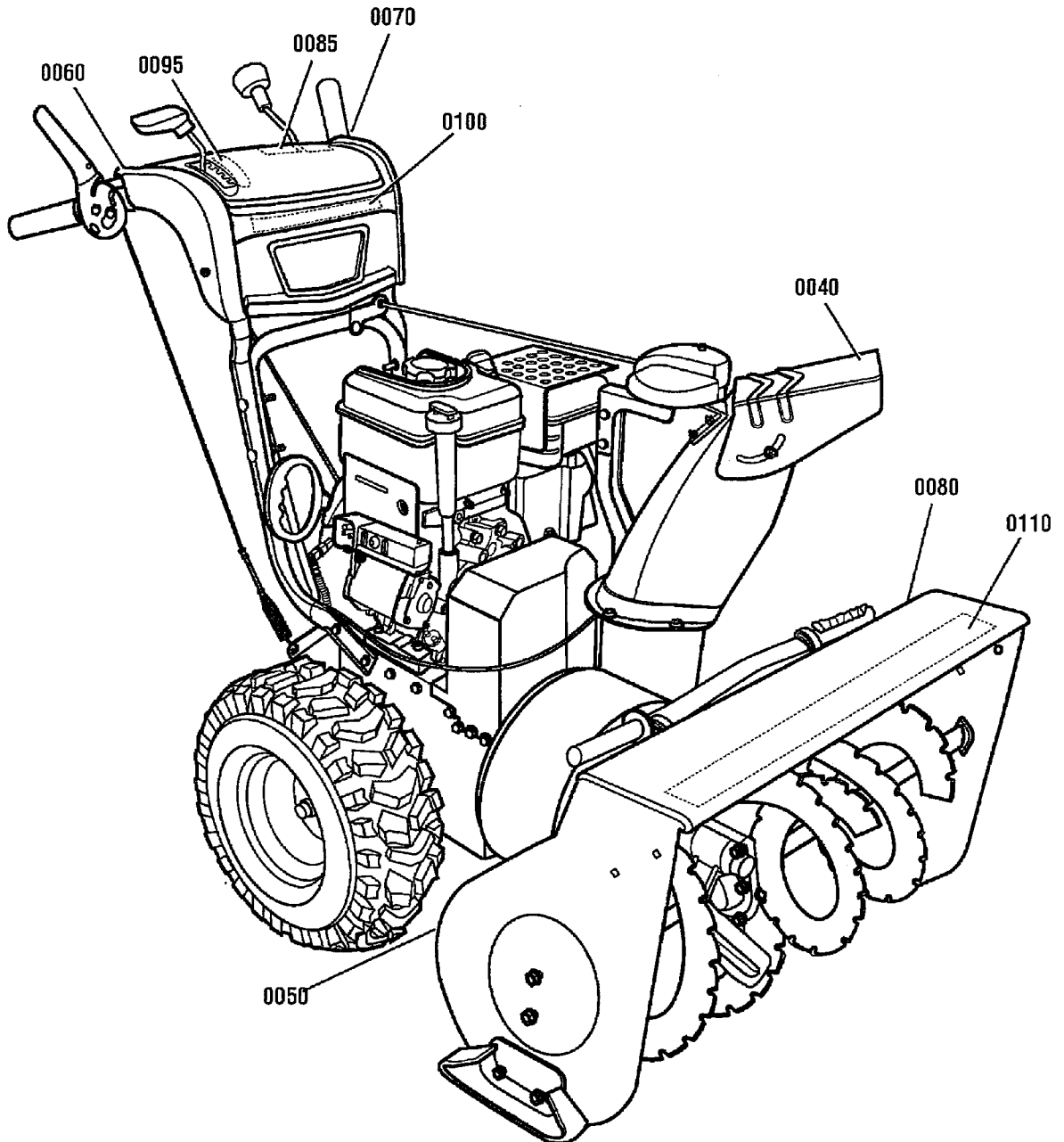
The above parts group applies to the following Mfg. Nos.:

1695696 - Canadiana 11.5 TP Snowthrower

Decals Group

NOTE: Unless noted otherwise,
use the standard hardware torque
specification chart.

2988575



The above parts group applies to the following Mfg. Nos.:
1695696 - Canadiana 11.5 TP Snowthrower

Decals Group

REF NO	PART NO.		DESCRIPTION
0040	1727207SM	1	DECAL, Chute Warning
0050	1737867YP	1	DECAL, Danger, Auger Icons
0060	1737869YP	1	DECAL, Auger Control Symbols
0070	1737870YP	1	DECAL, Traction Control
0080	304427MA	1	DECAL, Face Head Phones
0085	1738344YP	1	DECAL, Free Hand Operation Panel
0095	1738349YP	1	DECAL, Speed Control
0100	1738438YP	1	DECAL, Dash
0110	1738437YP	1	DECAL, Auger Housing

Footnotes

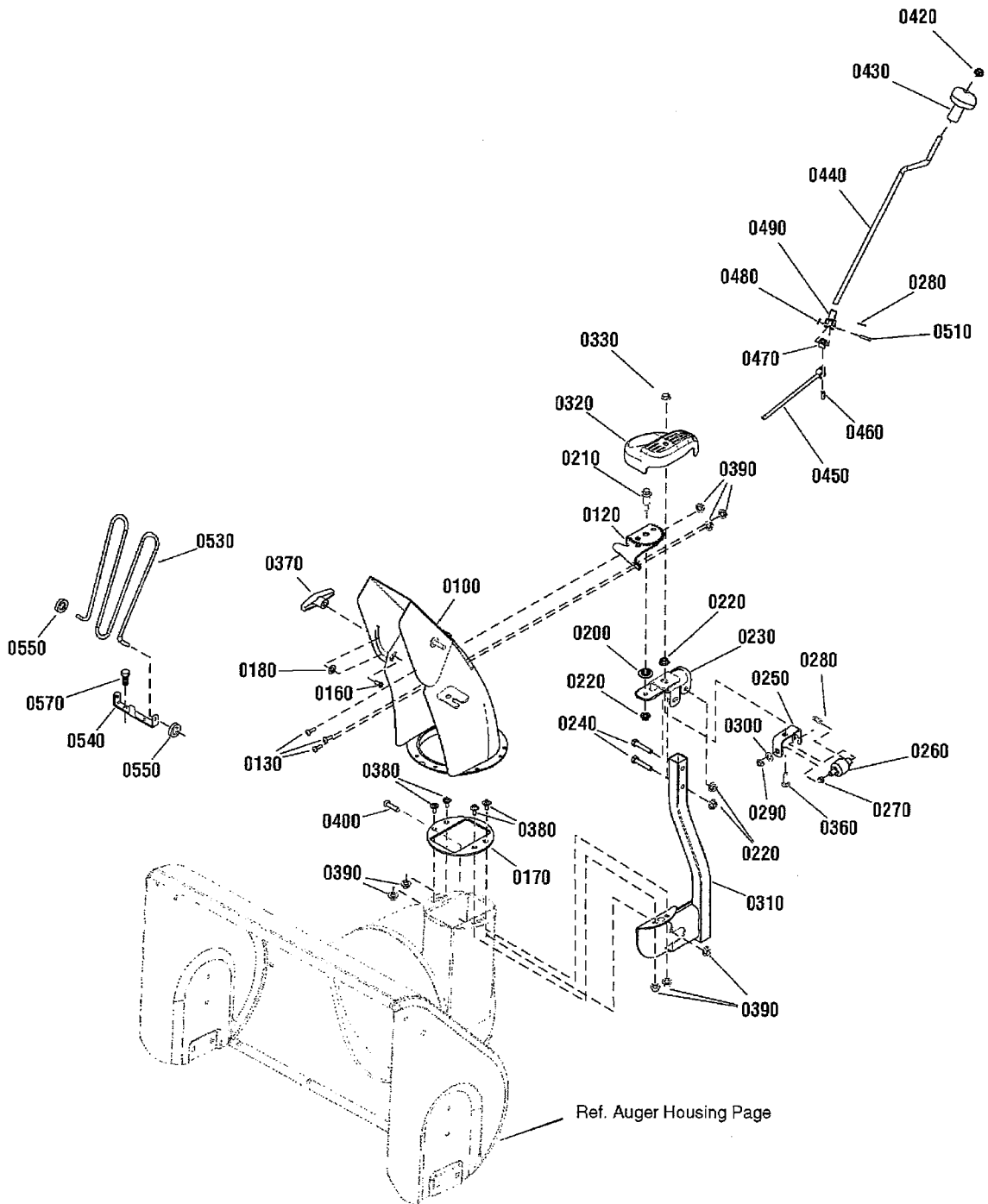
The above parts group applies to the following Mfg. Nos.:

1695696 - Canadiana 11.5 TP Snowthrower

Discharge Chute Group

NOTE: Unless noted otherwise,
use the standard hardware torque
specification chart.

2988572



The above parts group applies to the following Mfg. Nos.:
1695696 - Canadiana 11.5 TP Snowthrower

Discharge Chute Group

REF NO	PART NO.		DESCRIPTION
0100	1736379AYP	1	CHUTE ASSEMBLY
0120	1736038YP	1	GEAR / CHUTE SUPPORT
0130	1960715SM	3	SCREW, Truss Head Torx, 1/4-20 x 3/4
0160	002X97MA	1	BOLT, Carriage, 5/16-18 x 1-1/2
0170	1735767YP	1	GUIDE, Chute Ring
0180	2860210SM	1	WASHER, Nylon, 3/8
0200	1733026SM	1	WASHER, 1/2
0210	1732412SM	1	BOLT, Shoulder, 5/16-18 x 5/8 G5
0220	1960684SM	4	NUT, Hex Keps, 5/16-18
0230	1734423ASM	1	SUPPORT, Gear Crank
0240	1922127SM	2	CAPSCREW, Hex Head, 5/16-18 x 1-3/4 (Grade 5)
0250	1734440SM	1	SUPPORT, Worm
0260	1734439SM	1	WORM, Chute, Left
0270	1667588SM	1	BUSHING, Nylon, 3/8ID x 1/2OD x 1/4 long
0280	1501293MA	1	PIN, Hair
0290	1960762SM	1	NUT, Hex Lock, Jam Esna Light, 3/8-24
0300	1734542SM	1	WASHER, Cup, 3/8
0310	1736195AYP	1	CHUTE SUPPORT
0320	1734442SM	1	COVER, Gear
0330	1935048SM	1	NUT, Hex Flange, Two Way Lock, 5/16-18
0360	1928698SM	1	NUT, Hex, Toplock Jam, 5/16-18
0370	1501260MA	1	KNOB, Wing, With Nut, 5/16-18
0380	691005	4	SCREW, Hex Washer Head
0390	5025391SM	8	NUT, Hex Nylock Flange, 1/4-20
0400	02X101MA	1	BOLT, Carriage, 1/4-20 x 3/4
0420	1960093SM	1	NUT, Push Pal
0430	1714084SM	1	KNOB, Spinner
0440	1735661YP	1	CRANK, Chute Handle
0450	1735660YP	1	ROD AND YOKE
0460	578060MA	1	PIN, Universal Joint
0470	578063MA	1	BLOCK, Universal Pivot
0480	579493MA	1	PIN, Cotter
0490	1733611SM	1	YOKE & TUBE, Chute
0510	578309MA	2	PIN, Clevis
0530	1733475SM	1	GUARD, Chute
0540	1737683AYP	1	BRACKET, Chute Guard
0550	1738174YP	2	GROMMET, Chute Guard Bracket
0560	1960140SM	2	PUSHNUT
0570	1925003SM	2	SCREW, Hex Washer Head, Taptite, 1/4-20 x 1/2

Footnotes

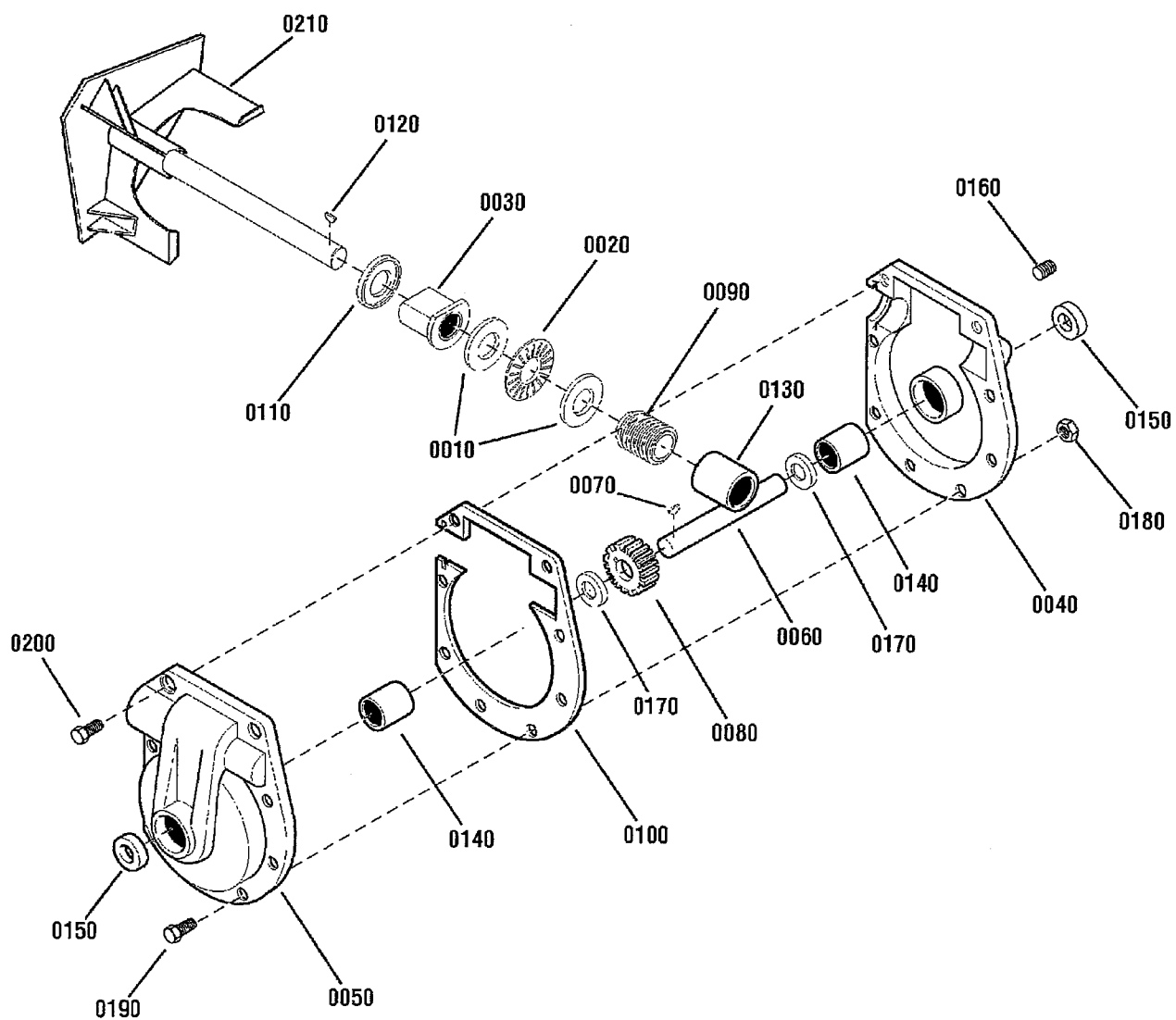
The above parts group applies to the following Mfg. Nos.:

1695696 - Canadiana 11.5 TP Snowthrower

Gear Case Assembly

NOTE: Unless noted otherwise,
use the standard hardware torque
specification chart.

1738604



The above parts group applies to the following Mfg. Nos.:
1695696 - Canadiana 11.5 TP Snowthrower

Gear Case Assembly

REF NO	PART NO.		DESCRIPTION
0010	48275MA	2	WASHER, Thrust
0020	50684MA	1	BEARING, Roll
0030	583126MA	1	BEARING, Flange
0040	895MA	1	GEAR CASE, Left
0050	896MA	1	GEAR CASE, Right
0060	760529MA	1	SHAFT, Auger Out, 27
0070	73905MA	1	KEY, Woodruf
0080	53730MA	1	GEAR, Worm
0090	53732MA	1	WORMGEAR
0100	897MA	1	GASKET, Gear Box
0110	53737MA	1	RING, Quad
0120	50795MA	1	KEY, Hi-Pro
0130	53731MA	1	BEARING, Sleeve
0140	53743MA	2	BEARING, Sleeve
0150	780151MA	2	SEAL, Oil
0160	53749MA	1	PLUG, Pipe
0170	53748MA	2	WASHER, Flat, 1
0180	71100MA	8	NUT, Hex Flange, Serrated, 5/16-24
0190	910828MA	7	BOLT, Hex 5/16-24 x 1
0200	330434MA	1	SCREW, Hex Head, 5/16-24 x 1-1/2
0210	1740584AYP	1	IMPELLER

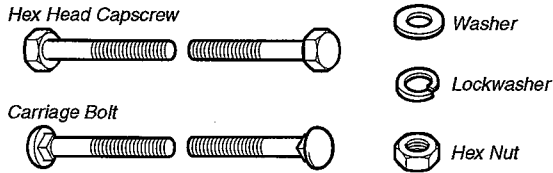
Footnotes

The above parts group applies to the following Mfg. Nos.:

1695696 - Canadiana 11.5 TP Snowthrower

Hardware Identification & Torque Specifications

Common Hardware Types

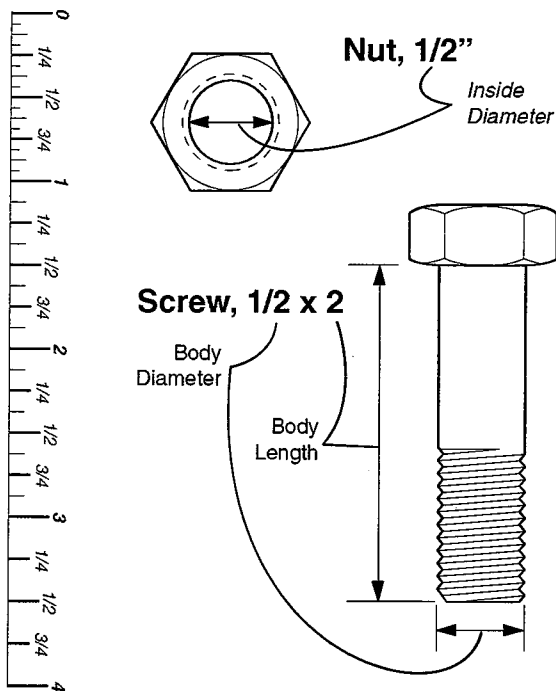


Standard Hardware Sizing

When a washer or nut is identified as 1/2", this is the *Nominal size*, meaning the *inside diameter* is 1/2 inch; if a second number is present it represents the *threads per inch*

When bolt or capscrew is identified as 1/2 - 16 x 2", this means the *Nominal size*, or *body diameter* is 1/2 inch; the second number represents the *threads per inch* (16 in this example, and the final number is the *body length* of the bolt or screw (in this example 2 inches long).

The guides and ruler furnished below are designed to help you select the appropriate hardware and tools.



Torque Specification Chart

FOR STANDARD MACHINE HARDWARE (Tolerance ± 20%)

Hardware Grade	No Marks		SAE Grade 5		SAE Grade 8	
	SAE Grade 2		SAE Grade 5		SAE Grade 8	
Size Of Hardware	in/lbs ft/lbs	Nm.	in/lbs ft/lbs	Nm.	in/lbs ft/lbs	Nm.
8-32	19	2.1	30	3.4	41	4.6
8-36	20	2.3	31	3.5	43	4.9
10-24	27	3.1	43	4.9	60	6.8
10-32	31	3.5	49	5.5	68	7.7
1/4-20	66	7.6	8	10.9	12	16.3
1/4-28	76	8.6	10	13.6	14	19.0
5/16-18	11	15.0	17	23.1	25	34.0
5/16-24	12	16.3	19	25.8	27	34.0
3/8-16	20	27.2	30	40.8	45	61.2
3/8-24	23	31.3	35	47.6	50	68.0
7/16-14	30	40.8	50	68.0	70	95.2
7/16-20	35	47.6	55	74.8	80	108.8
1/2-13	50	68.0	75	102.0	110	149.6
1/2-20	55	74.8	90	122.4	120	163.2
9/16-12	65	88.4	110	149.6	150	204.0
9/16-18	75	102.0	120	163.2	170	231.2
5/8-11	90	122.4	150	204.0	220	299.2
5/8-18	100	136	180	244.8	240	326.4
3/4-10	160	217.6	260	353.6	386	525.0
3/4-16	180	244.8	300	408.0	420	571.2
7/8-9	140	190.4	400	544.0	600	816.0
7/8-14	155	210.8	440	598.4	660	897.6
1-8	220	299.2	580	788.8	900	1,244.0
1-12	240	326.4	640	870.4	1,000	1,360.0

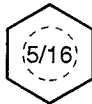
NOTES

- These torque values are to be used for all hardware excluding: locknuts, self-tapping screws, thread forming screws, sheet metal screws and socket head setscrews.
- Recommended seating torque values for locknuts:
 - for prevailing torque locknuts - use 65% of grade 5 torques.
 - for flange whizlock nuts and screws - use 135% of grade 5 torques.
- Unless otherwise noted on assembly drawings, all torque values must meet this specification.

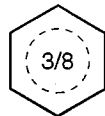
Wrench & Fastener Size Guide



1/4" Bolt or Nut
Wrench—7/16"



5/16" Bolt or Nut
Wrench—1/2"



3/8" Bolt or Nut
Wrench—9/16"



7/16" Bolt or Nut
Wrench (Bolt)—5/8"
Wrench (Nut)—11/16"



1/2" Bolt or Nut
Wrench—3/4"