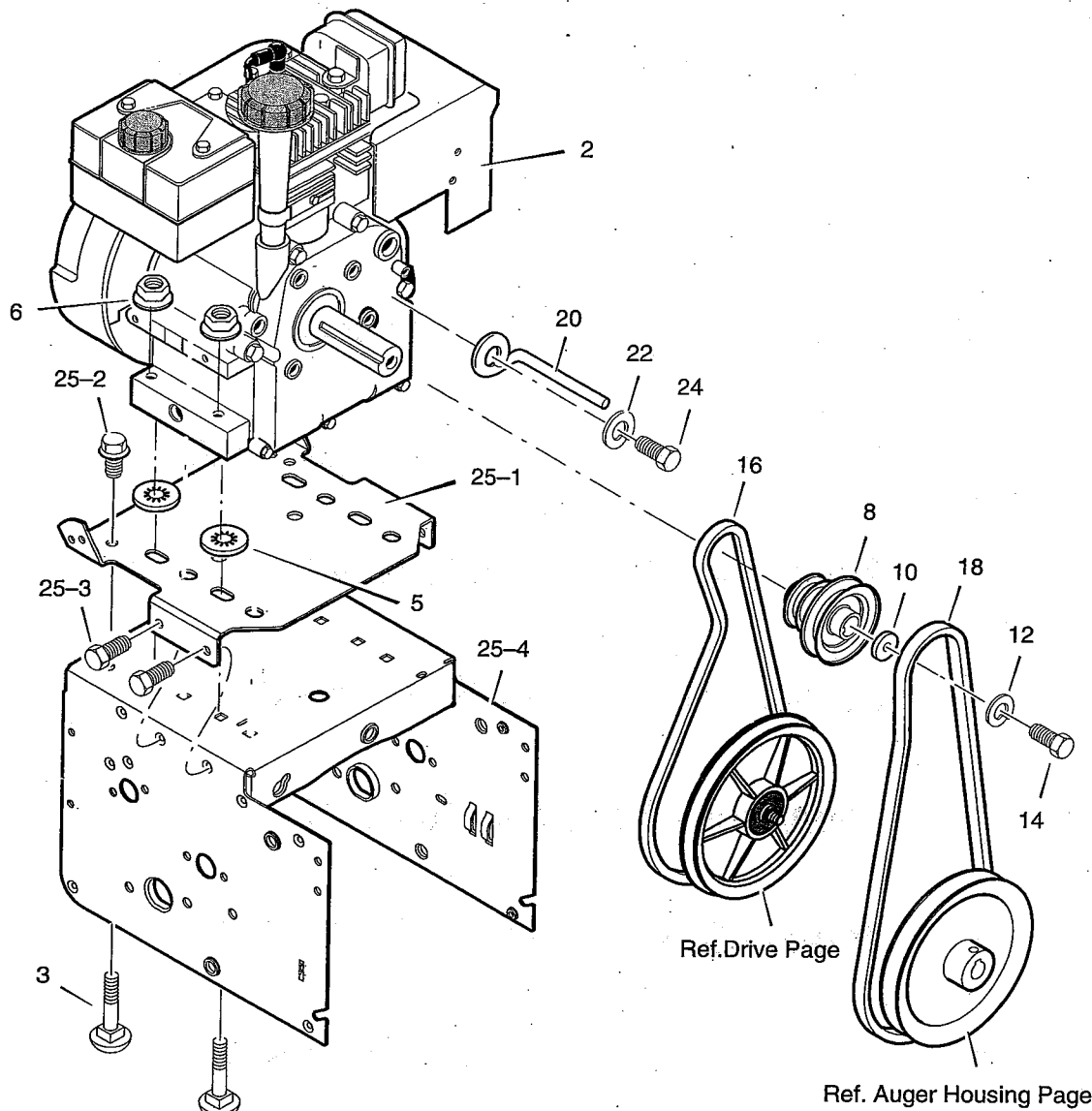


CAN 870

- Ⓒ **Parts List - Model 627809x54C**
- Ⓕ **Liste de pièces - Modèle 627809x54C**
- Ⓓ **Teileliste - Modell 627809x54C**
- Ⓘ **Elenco pezzi - Modello 627809x54C**
- Ⓝ **Deleliste - Modell 627809x54C**
- Ⓢ **Reservdelslista - Modell 627809x54C**
- Ⓞ **Varaosaluettelo - Malli 627809x54C**
- Ⓔ **Lista de partes - Modelo 627809x54C**

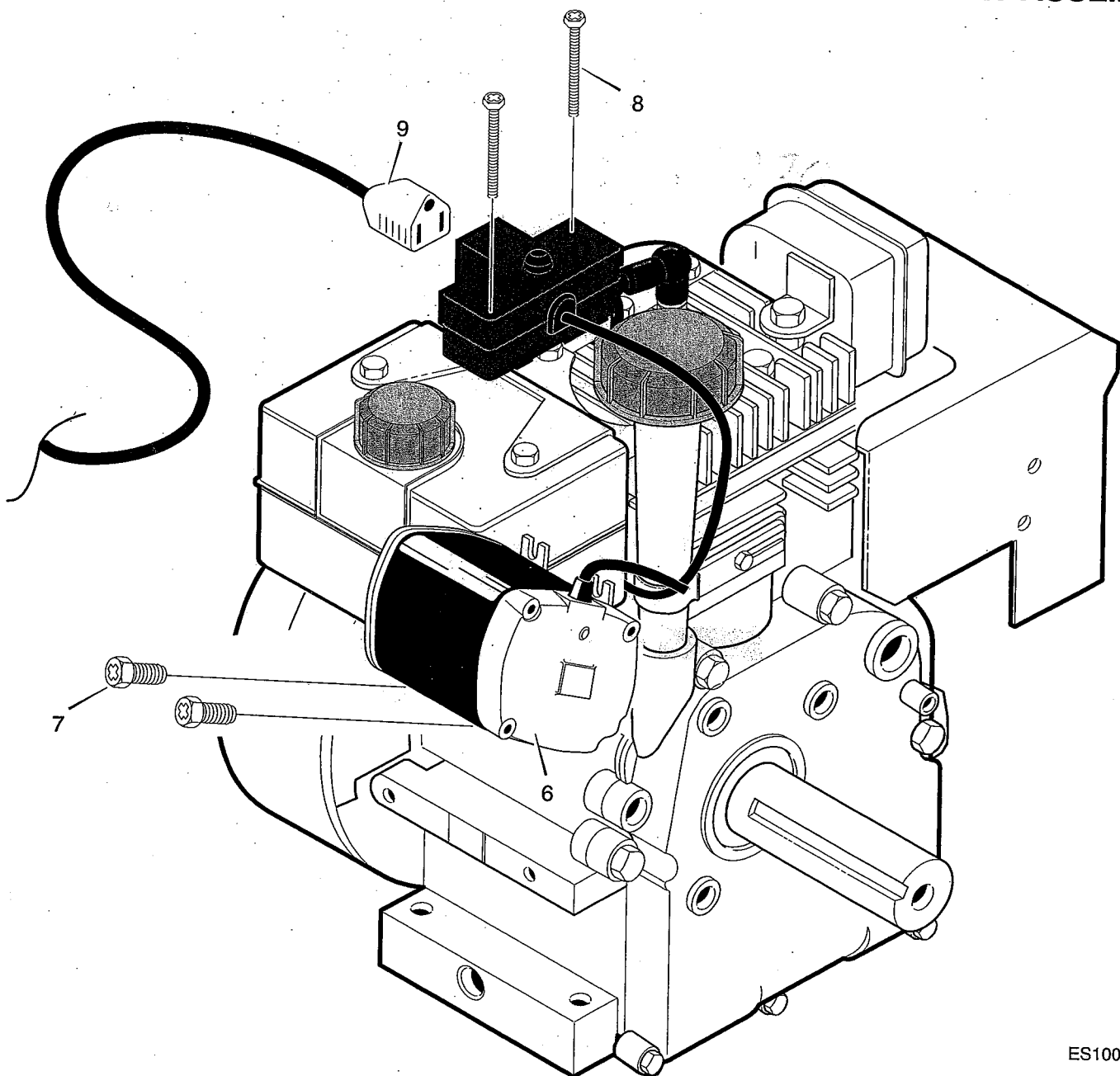
# MODEL 627809x54C

# REPAIR PARTS ENGINE



| Key No. | Part No.    | Description               |
|---------|-------------|---------------------------|
| 2       | -----       | ENGINE                    |
| 3       | 2x97        | BOLT, CARRIAGE 5/16-18    |
| 5       | 28x76       | RETAINER, PUSH            |
| 6       | 710026      | NUT, HEXWDFLLK 5/16-18    |
| 8       | 1501109     | PULLEY, ENGINE            |
| 10      | 710247      | WASHER                    |
| 12      | 71063       | WASHER, 0.38ID            |
| 14      | 71015       | SCREW, 3/8-24X1.00        |
| 16      | 579932      | BELT, V 3L 33.13LG        |
| 18      | 585416      | BELT, V 4L 38.1MF16" 5-10 |
| 20      | 1501201     | GUIDE, BELT               |
| 22      | 71060       | WASHER, SPTLK .31X.58X.08 |
| 24      | 710097      | SCREW, 5/16-24X .75       |
| 25      | -----       | FRAME ASSEMBLY            |
| 25-1    | 1501062E245 | PLATE, ENGINE MOUNT       |
| 25-2    | 310169      | SCREW, TAP 1/4-20 X .63   |
| 25-3    | 780055      | SCREW, TAP 5/16-18 X .50  |
| 25-4    | 1501049E245 | FRAME, MOTOR BOX          |
| —       | F-021022L   | OWNER'S MANUAL            |

ENG100

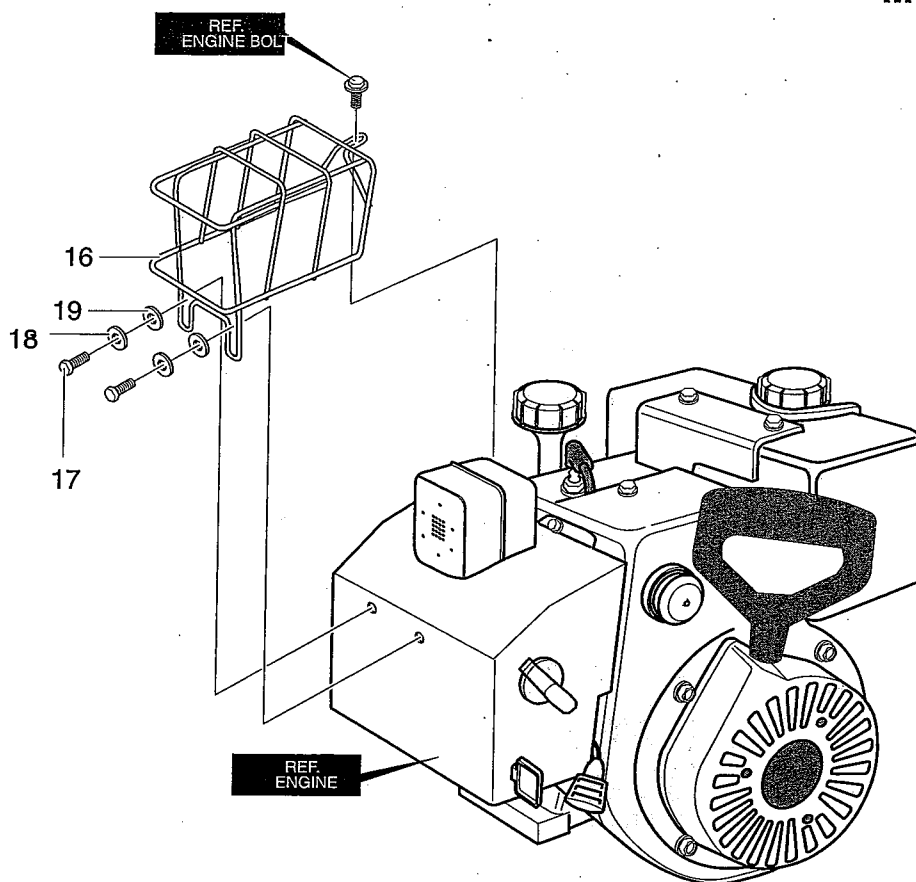


ES100A

| Key No. | Part No. | Description    |
|---------|----------|----------------|
| 6       | 761290   | MOTOR, STARTER |
| 7       | 6216     | SCREW          |
| 8       | 6217     | SCREW          |
| 9       | 761332   | CORD, STARTER  |

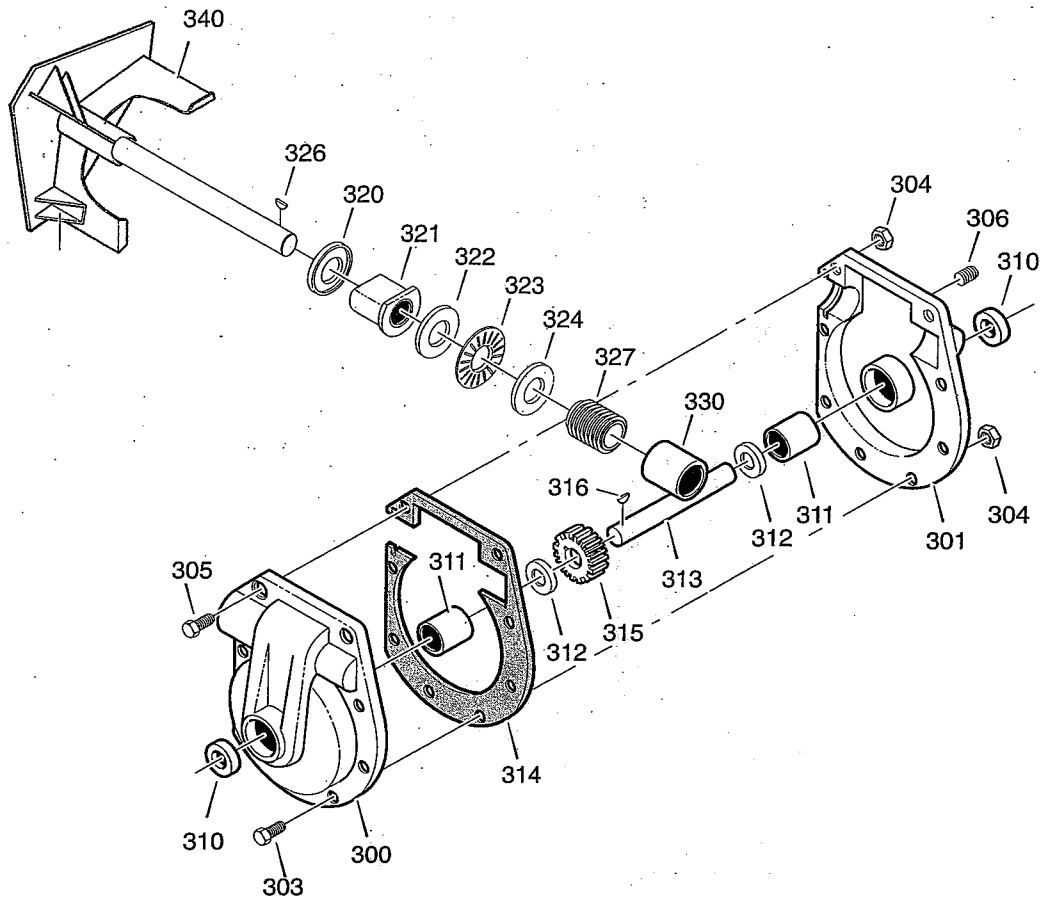
# MODEL 627809x54C

# REPAIR PARTS MUFFLER GUARD



335095

| Key No. | Part No. | Description    |
|---------|----------|----------------|
| 16      | 304436   | GUARD, MUFFLER |
| 17      | 304807   | SCREW          |
| 18      | 304810   | WASHER         |
| 19      | 304809   | WASHER         |



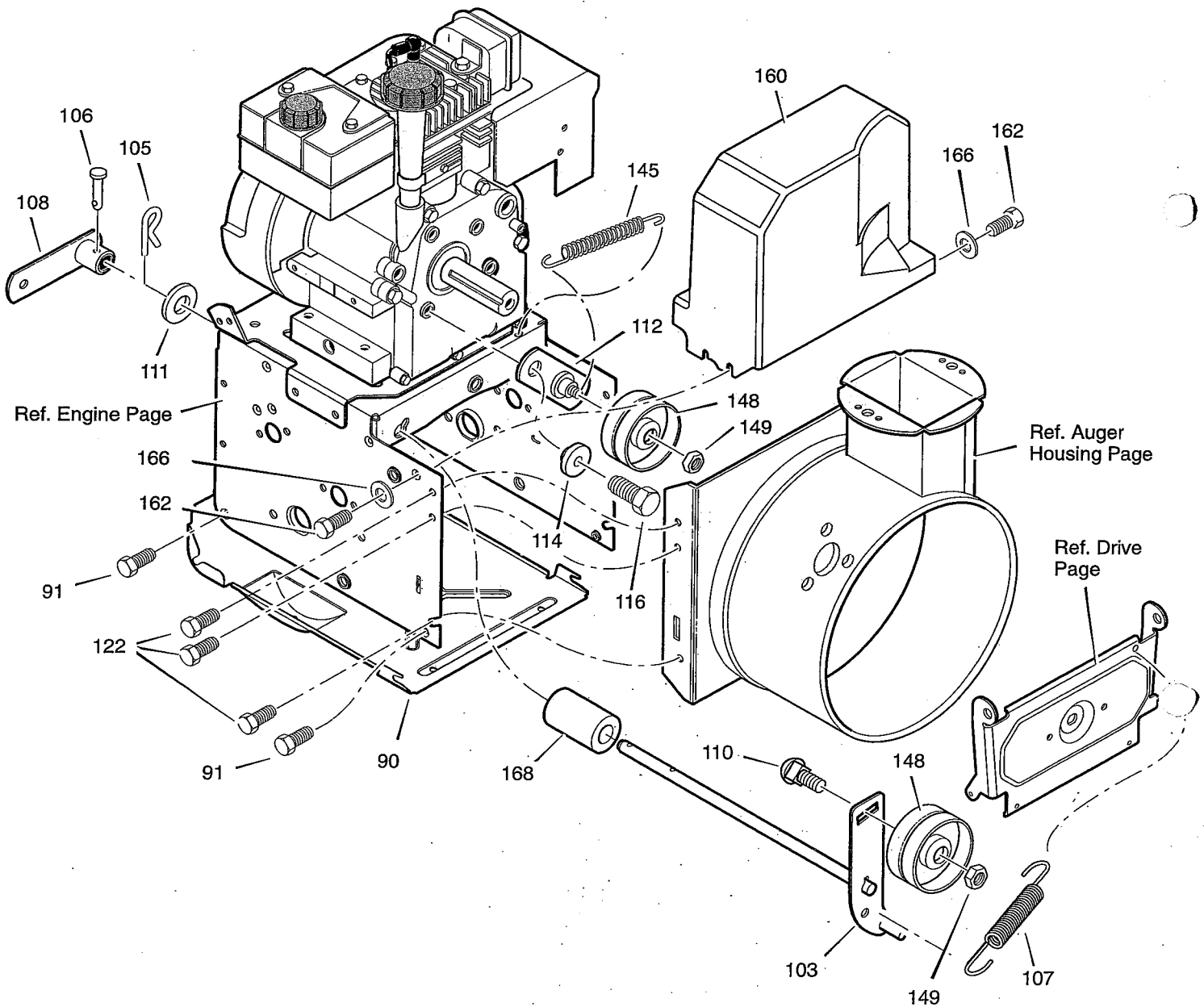
GEAR105A

| Key No. | Part No.    | Description          |
|---------|-------------|----------------------|
| 300     | 896         | CASE, GEAR, RH       |
| 301     | 895         | CASE, GEAR, LH       |
| 303     | 910828      | SCREW, 1/4-20X.75    |
| 304     | 71100       | NUT, 1/4-20          |
| 305     | 330434      | NUT, 1/4-20 HEXKEPS  |
| 306     | 53749       | SCREW, 3/8-16X.50    |
| 310     | 780151      | SEAL, OIL            |
| 311     | 53743       | BEARING, FL          |
| 312     | 53748       | WASHER, FLAT         |
| 313     | 760529      | SHAFT, AUGER OUTPUT  |
| 314     | 897         | GASKET, GEAR BOX     |
| 315     | 53730       | WORM GEAR            |
| 316     | 73905       | KEY, WOODRUFF #61    |
| 320     | 53737       | BRNG, FL             |
| 321     | 583126      | SHAFT, AUGER INPUT   |
| 322     | 48275       | COLLAR, THRUST       |
| 323     | 50684       | PIN, SPRING          |
| 324     | 48275       | WASHER, FLAT         |
| 326     | 50795       | BRNG, FL             |
| 327     | 53732       | SEAL, OIL            |
| 330     | 53731       | BEARING              |
| 340     | 1501147E717 | IMPELLER             |
| —       | 333431      | 10oz TUBE LUBRIPLATE |

\*(NOT ILLUSTRATED)

# MODEL 627809x54C

# REPAIR PARTS FRAME

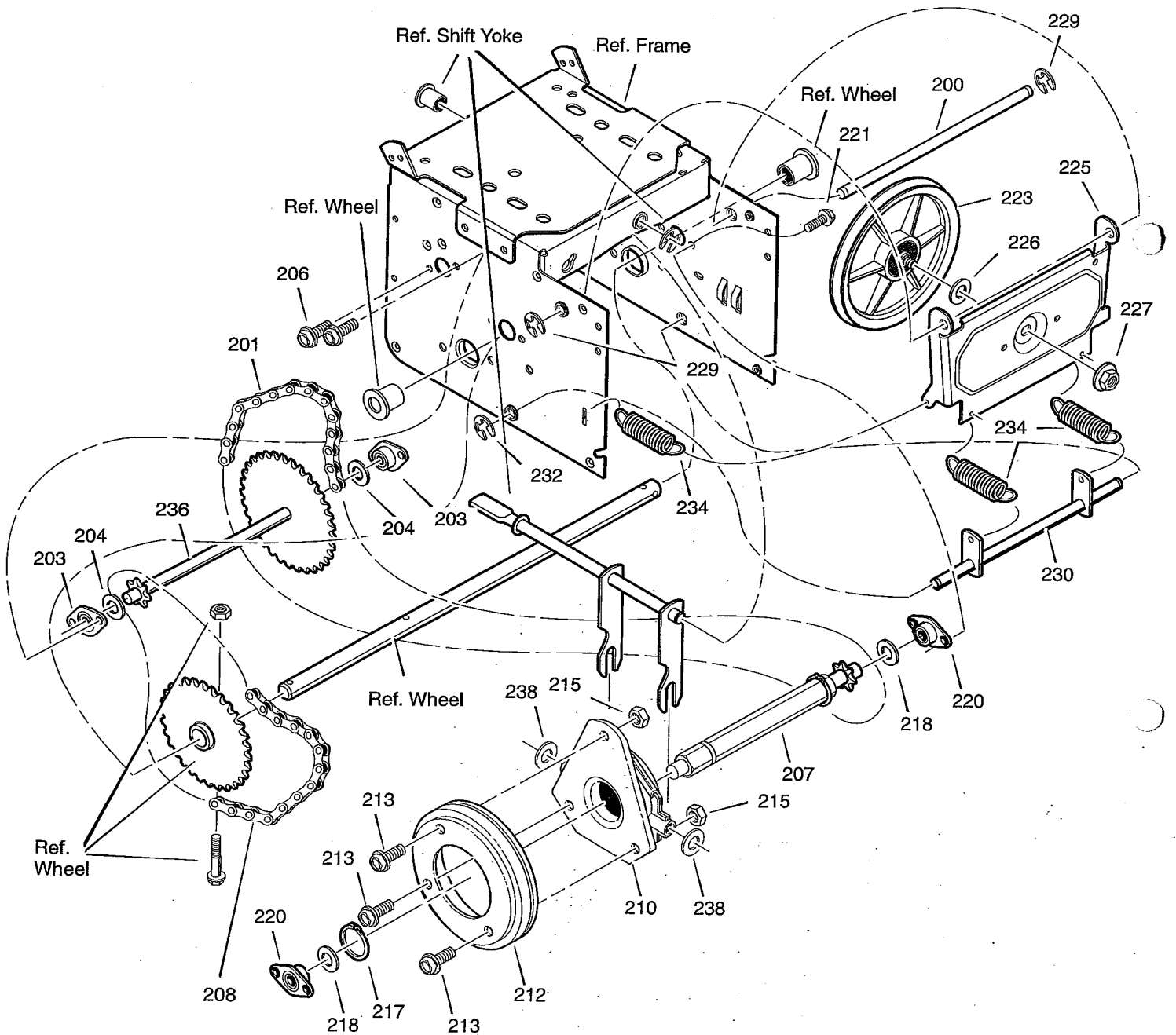


FRA100A

| Key No. | Part No.    | Description                  |
|---------|-------------|------------------------------|
| 90      | 1501055E717 | COVER, BOTTOM                |
| 91      | 310169      | SCREW, 1/4-20X .63           |
| 103     | 1501226 YZ  | IDLER ASSEMBLY, AUGER        |
| 105     | 711682      | PIN, HAIR .38DIA X 1.64LG    |
| 106     | 761761      | PIN, KLIK 3/16" DIA          |
| 107     | 165X159     | SPRING, TENSION              |
| 108     | 761675 YZ   | ASSY., SPRING ATTACH         |
| 110     | 585781      | BOLT, 3/8-16X1.25 CARR.      |
| 111     | 711617      | WASHER, FLAT                 |
| 112     | 1501112 YZ  | BRACKET ASSEMBLY, IDLER      |
| 114     | 1501065     | BUSHING, IDLER BRACKET       |
| 116     | 710097      | SCREW 5/16-24 X .75          |
| 122     | 780055      | SCREW, TAP 5/16-18 X .50     |
| 145     | 53704       | SPRING, IDLER TRACTION DRIVE |
| 148     | 50793       | PULLEY, IDLER                |
| 149     | 590         | NUT, JAM 3/8-16              |
| 160     | 1501172     | COVER, BELT                  |
| 162     | 310169      | SCREW, TAP 1/4-20 X .63      |
| 166     | 71067       | WASHER, FLAT                 |
| 168     | 1501200     | SPACER, AUGER BRACKET        |

# MODEL 627809x54C

# REPAIR PARTS DRIVE

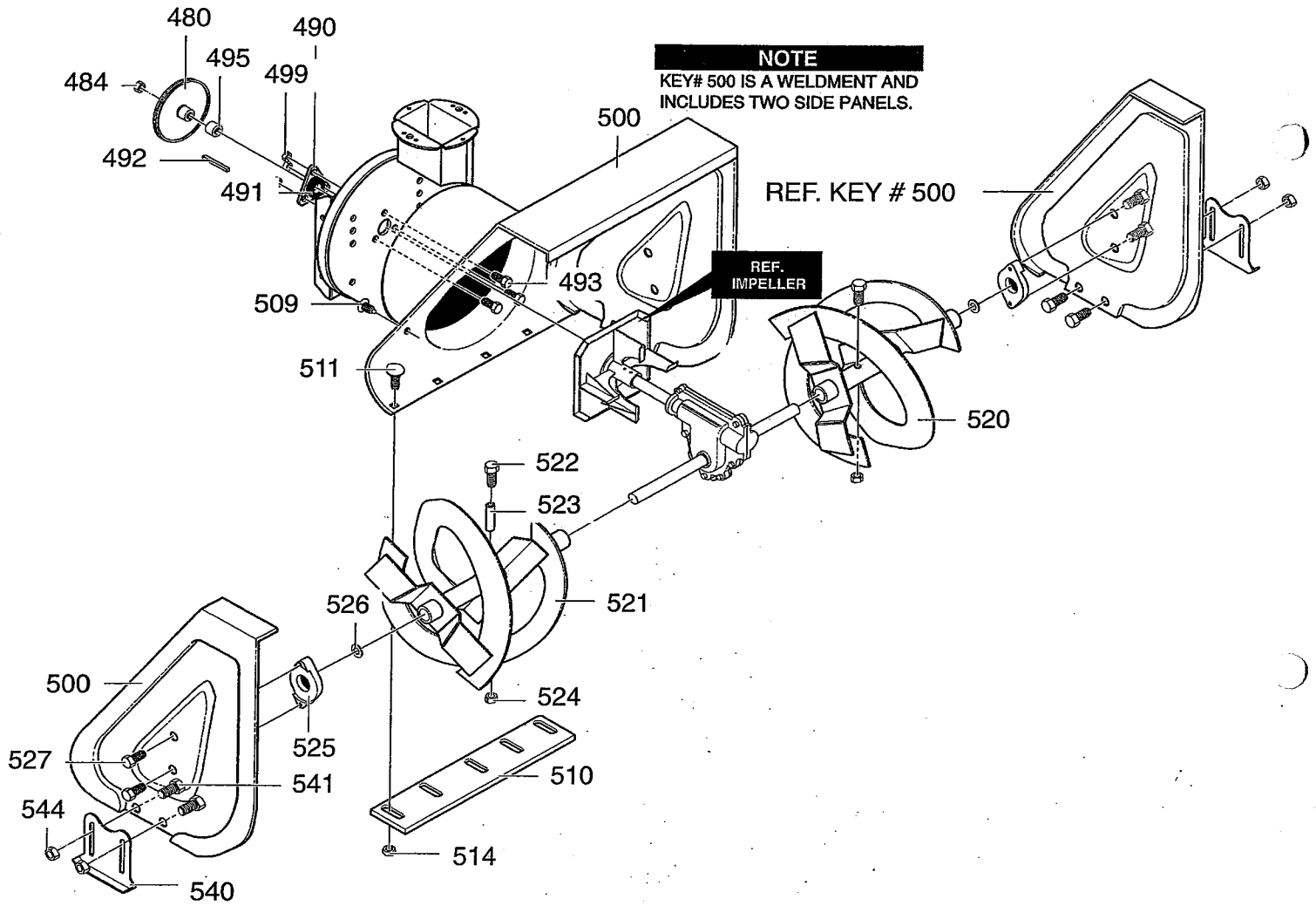




| Key No. | Part No.   | Description                  |
|---------|------------|------------------------------|
| 200     | 1501092 YZ | LF AXLE, SWING PLATE YZ      |
| 201     | 579851     | CHAIN, ROLLER #42x19.00 LG   |
| 203     | 334163     | BEARING AND RETAINER, ASSY   |
| 204     | 579858     | WASHER                       |
| 206     | 780055     | SCREW, TAP 5/16-18x0.5       |
| 207     | 1501100    | ASSY, HEX SHAFT              |
| 208     | 579868     | CHAIN, ROLLER #36x18.00 LG   |
| 210     | 337029     | BEARING, TRUNION CLUTCH R    |
| 212     | 1501435    | WHEEL, FRICTION DISC         |
| 213     | 1X38       | SCREW, 1/4-20 x 0.63         |
| 215     | 303008     | NUT, KEPS HEX 1/4-20         |
| 217     | 579859     | RING, RETEXT                 |
| 218     | 579858     | WASHER                       |
| 220     | 334163     | BEARING AND RETAINER, ASSY   |
| 221     | 780055     | SCREW, TAP 5/16-18 x .5      |
| 223     | 1501115    | ASSY, FRICTION PULLY         |
| 225     | 1501057 YZ | LF PLATE, SWINGING YZ        |
| 226     | 1501158    | SPACER, FRICTION PULLEY      |
| 227     | 15X114     | NUT, FLANGE LOCK 3/8-24      |
| 229     | 11X30      | RETAINER, RING               |
| 230     | 1501107 YZ | LF ASSY, SPRING LINK YZ      |
| 232     | 11X30      | RETAINER, RING               |
| 234     | 165X112    | SPRING, EXTENSION            |
| 236     | 1501090    | WLD, INTERMED SPROCKET 33T/7 |
| 238     | 71074      | WASHER, FLAT                 |

# MODEL 627809x54C

# REPAIR PARTS AUGER HOUSING

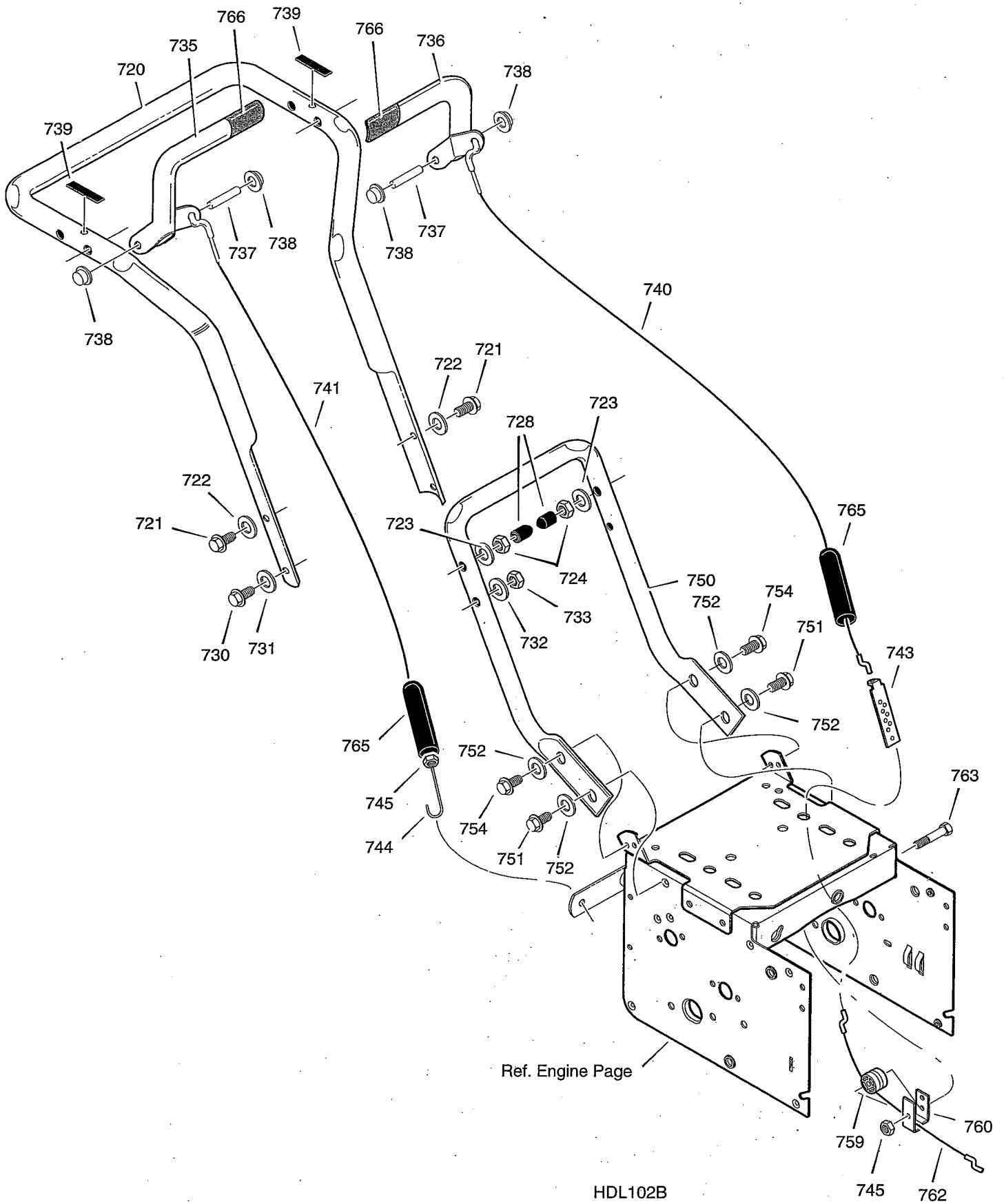


339973

| Key No. | Part No.    | Description               |
|---------|-------------|---------------------------|
| 480     | 583146      | PULLEY                    |
| 484     | 15X112      | NUT, 1/2-20               |
| 490     | 582957 YZ   | RETAINER, BALL BRNG       |
| 491     | 43846       | BEARING, BALL             |
| 492     | 2001022     | KEY, SQUARE               |
| 493     | 001X92      | BOLT, HEX - 0.31-18X0.50  |
| 495     | 1501158     | SPACER, FRICTION PULLEY   |
| 499     | 710026      | NUT, 5/16-18 HEXWDFLLK    |
| 500     | 1501120E245 | HOUSING, ASSY             |
| 509     | 760040      | PLUG, CHRISTMAS TREE      |
| 510     | 760656E717  | BLADE, SCRAPER            |
| 511     | 340720      | BOLT, 1/4-20X.75          |
| 514     | 710026      | NUT                       |
| 520     | 760605E717  | AUGER, ASSY, LH           |
| 521     | 760606E717  | AUGER, ASSY, RH           |
| 522     | 9524        | SCREW, 1/4-20X1.75        |
| 523     | J 3943      | SPACER, SLEEVE = 70680176 |
| 524     | 73826       | NUT, 1/4-20               |
| 525     | 53757       | BEARING, FLANGE           |
| 527     | 70984       | SCREW, 5/16-18X .75       |
| 540     | 762379E717  | SKID, HEIGHT ADJUST       |
| 541     | 340720      | BOLT, 5/16-18 X .75       |
| 544     | 710026      | NUT, 5/16-18 REGHEX       |

# MODEL 627809x54C

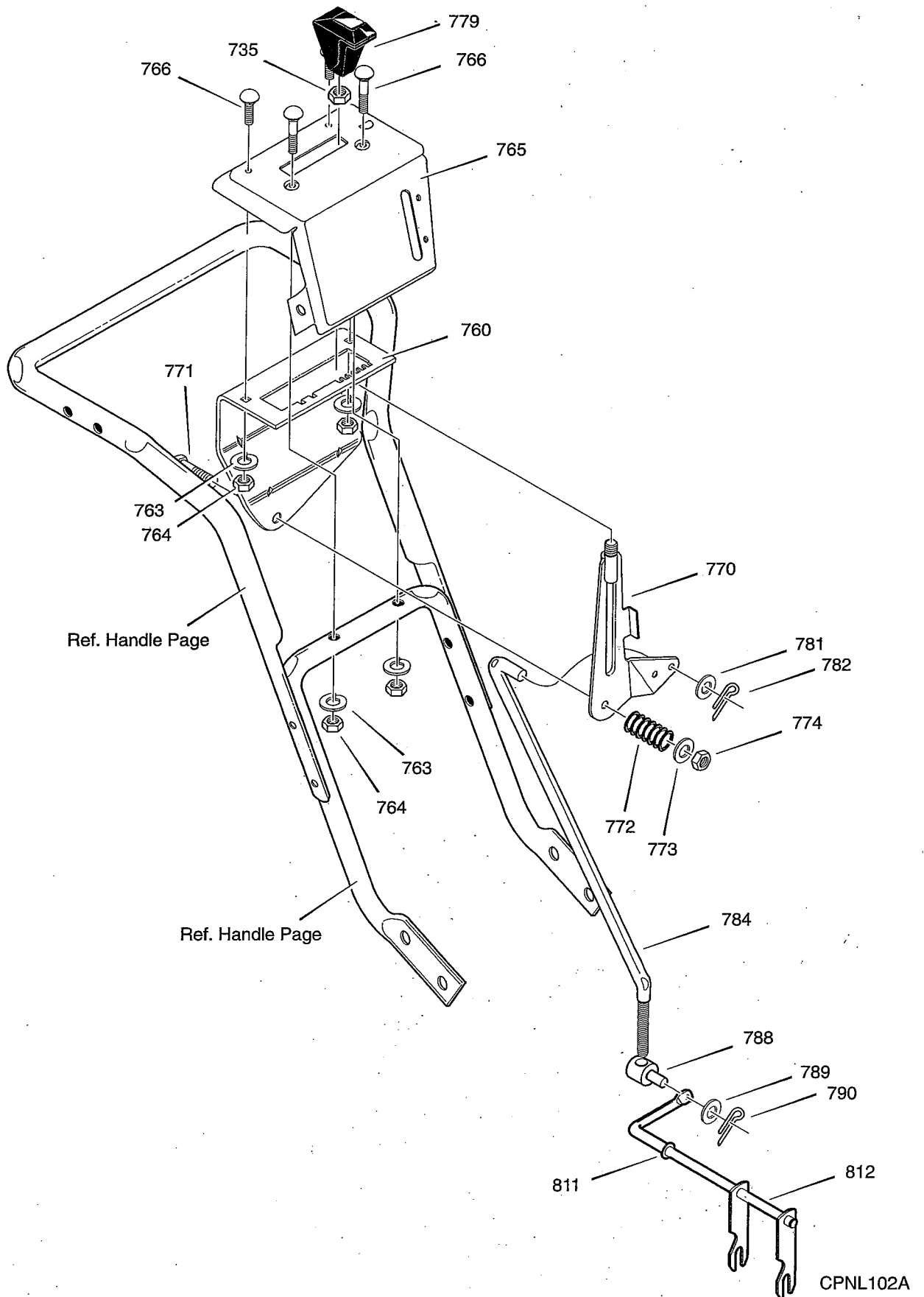
# REPAIR PARTS HANDLE



| Key No. | Part No.   | Description               |
|---------|------------|---------------------------|
| 720     | 310614E717 | HANDLE, UPPER             |
| 721     | 7288       | SCREW, 3/8-16 X 3         |
| 722     | 71072      | WASHER, FLAT              |
| 723     | 71062      | WASHER                    |
| 724     | 71044      | NUT, 3/8-16               |
| 728     | 7289       | STOP, PLASTIC             |
| 730     | 71007      | SCREW, 3/8-16 X 2         |
| 731     | 71072      | WASHER, FLAT              |
| 732     | 71062      | WASHER                    |
| 733     | 71044      | NUT, 3/8-16               |
| 735     | 5146E717   | HANDLE, RIGHT             |
| 736     | 5142E717   | HANDLE, LEFT              |
| 737     | 760074     | PIN, PIVOT CLUTCH         |
| 738     | 3535       | NUT, PUSH ON CAP          |
| 739     | 4049       | BUMPER, RECTANGLE         |
| 740     | 1501123    | CABLE, DRIVE              |
| 741     | 761872     | CABLE, AUGER CLUTCH       |
| 743     | 313441     | BRACKET, CABLE ADJUSTER   |
| 744     | 1673       | SPRING, AUGER CLUTCH      |
| 745     | 15x145     | NUT, 1/4-20               |
| 750     | 5543E717   | HANDLE, LOWER             |
| 751     | 70984      | SCREW, TAP 5/16-18 X .75  |
| 752     | 71060      | WASHER, SPTLK             |
| 754     | 70984      | SCREW, TAP 5/16-18 X .75  |
| 759     | 579860     | SPOOL-CABLE, AUGRT CLUTCH |
| 760     | 1501059 YZ | BRACKET, CABLE SPOOL YZ   |
| 762     | 1501122    | CABLE, LOWER DRIVE 12"    |
| 763     | 001798     | BOLT, HEX 1/4-20 X 1.50   |
| 765     | 308146     | BOOT, CLUTCH SPRING       |
| 766     | 333928     | GRIP                      |

# MODEL 627809x54C

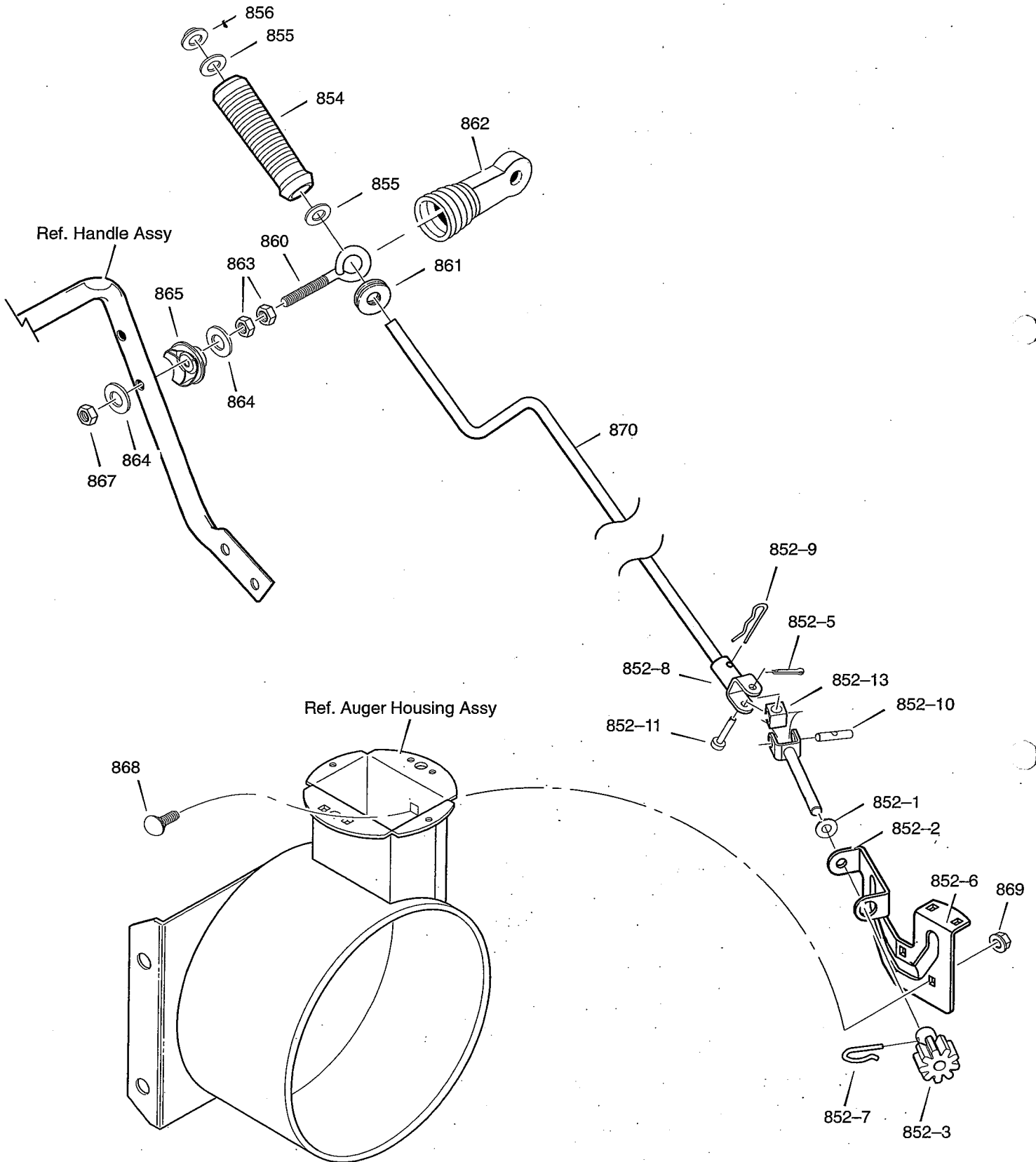
# REPAIR PARTS CONTROL PANEL



| <b>Key No.</b> | <b>Part No.</b> | <b>Description</b>         |
|----------------|-----------------|----------------------------|
| 735            | 71045           | NUT, 3/8-16 HEXJAM         |
| 760            | 308905E717      | BRACKET, SHIFT CONTROL     |
| 761            | 762148          | CARR. BOLT, 1/4-20 X 2     |
| 763            | 71059           | WASHER, HVSPTLK            |
| 764            | 71034           | NUT, 1/4-20 REGHEX         |
| 765            | 761973E245      | CONTROL PANEL              |
| 766            | 3809            | CARR. BOLT, 1/4-20 X 0.63  |
| 770            | 305260E717      | SHIFT LEVER ASSY           |
| 771            | 302900          | SCREW, 5/16-18X1.75        |
| 772            | 50786           | SPRING                     |
| 773            | 71071           | FLATWASHER                 |
| 774            | 71038           | NUT, 5/16-18 HEXNYL        |
| 779            | 304728          | KNOB, SHIFT                |
| 781            | 71071           | WASHER, FLAT .349X.69X.066 |
| 782            | 71081           | PIN, COTTER                |
| 784            | 761668          | ROD, SPEED CONTROL         |
| 788            | 584593          | NUT, TRUNNION 5/16-24      |
| 789            | 71071           | WASHER, FLAT .349X.69X.066 |
| 790            | 71081           | PIN, COTTER                |
| 811            | 579944          | FLANGED BEARING            |
| 812            | 1501110 YZ      | ROD ASSY, YOKE PANEL       |
| 813            | 11X30           | RING, RETAINER             |

# MODEL 627809x54C

# REPAIR PARTS CHUTE ROD

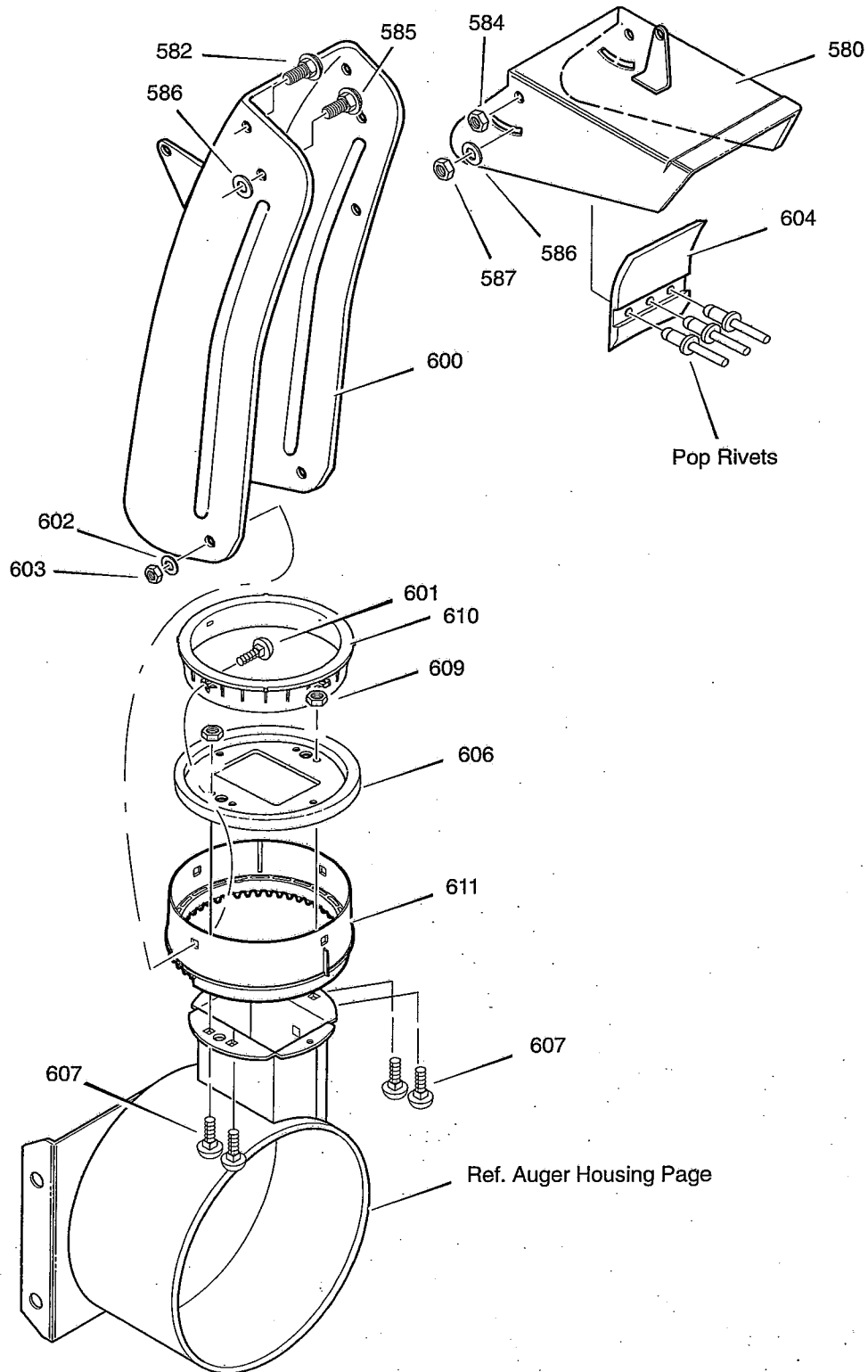




| Key No. | Part No.    | Description                  |
|---------|-------------|------------------------------|
| 852-1   | 1501309 YZ  | ASSEMBLY, YOKE & ROD         |
| 852-2   | 313431      | WASHER, CURVED SPRING        |
| 852-3   | 1501067     | GEAR, CHUTE ROTATION 9T      |
| 852-5   | 71082       | PIN, COTTER                  |
| 852-6   | 1501306E701 | BRACKET, GEAR MOUNT          |
| 852-7   | 1501293     | PIN, HAIR                    |
| 852-8   | 1501075 YZ  | ASSEMBLY, YOKE ADAPTER YZ    |
| 852-9   | 711682      | PIN, HAIR                    |
| 852-10  | 578060      | PIN, UNIVERSAL JOINT         |
| 852-11  | 578309      | PIN, CLEVIS                  |
| 852-13  | 578063      | HOUSING, UNIVERSAL           |
| 854     | 307399      | KNOB, SLEEVE                 |
| 855     | 309312      | FLATWASHER                   |
| 856     | 73664       | NUT, PUSH ON 3/8"            |
| 860     | 581618      | EYE BOLT 3/8-16X6.00         |
| 861     | 148         | GROMMET, EYE BOLT            |
| 862     | 308145      | BOOT, EYE BOLT               |
| 863     | 71045       | NUT, 3/8-16 HEXJAM           |
| 864     | 71072       | FLATWASHER .406X.81X.066     |
| 865     | 309344      | ADAPTER, BOOT                |
| 867     | 71046       | NUT, 3/8-16 HEXNYL           |
| 868     | 2X98        | BOLT, CARRIAGE 1/4-20 X 1.00 |
| 869     | 15x145      | NUT                          |
| 870     | 1501074 YZ  | CRANK, ASSY CHUTE            |

# MODEL 627809x54C

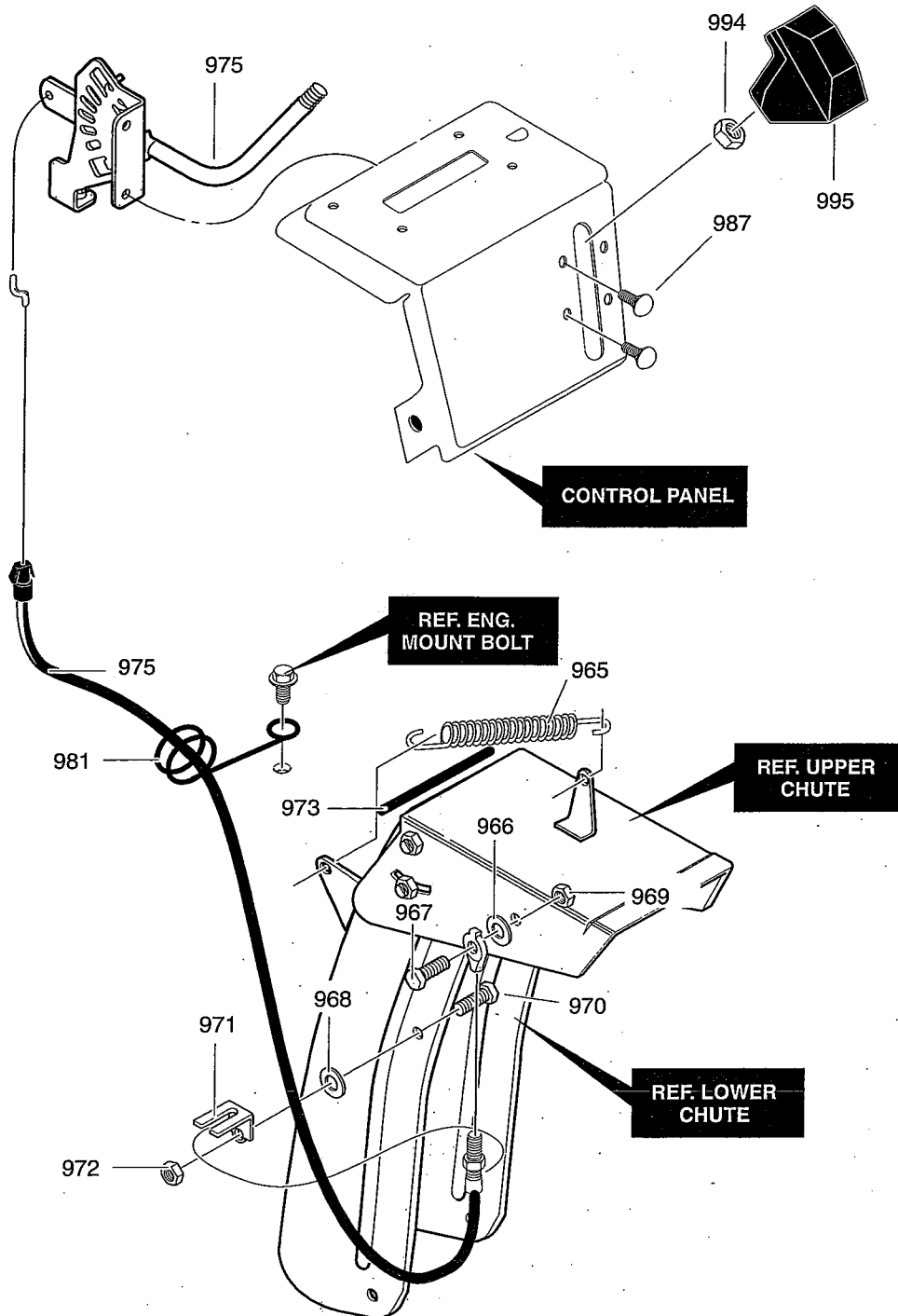
# REPAIR PARTS DISCHARGE CHUTE



| <b>Key No.</b> | <b>Part No.</b> | <b>Description</b>      |
|----------------|-----------------|-------------------------|
| 580            | 761168E717      | CHUTE, UPPER W/REMOTE   |
| 582            | 578088          | SCREW, 5/16-18 X.75     |
| 584            | 71038           | NUT                     |
| 585            | 578088          | SCREW, 5/16-18 X.75     |
| 586            | 6711            | PLASTIC WASHER          |
| 587            | 71038           | NUT                     |
| 600            | 761329E717      | CHUTE, LOWER WITH GUARD |
| 601            | 2x100           | BOLT                    |
| 602            | 71071           | WASHER, FLAT            |
| 603            | 71038           | NUT                     |
| 604            | 762322          | FLAP                    |
| 605            | 760987          | RIVET                   |
| 606            | 585214 YZ       | CHUTE COLLAR            |
| 607            | 002X98          | BOLT                    |
| 609            | 780029          | NUT                     |
| 610            | 337227          | RETAINER, RING INNER    |
| 611            | 1501282         | RETAINER, RING OUTER    |

# MODEL 627809x54C

# REPAIR PARTS REMOTE CHUTE CONTROL

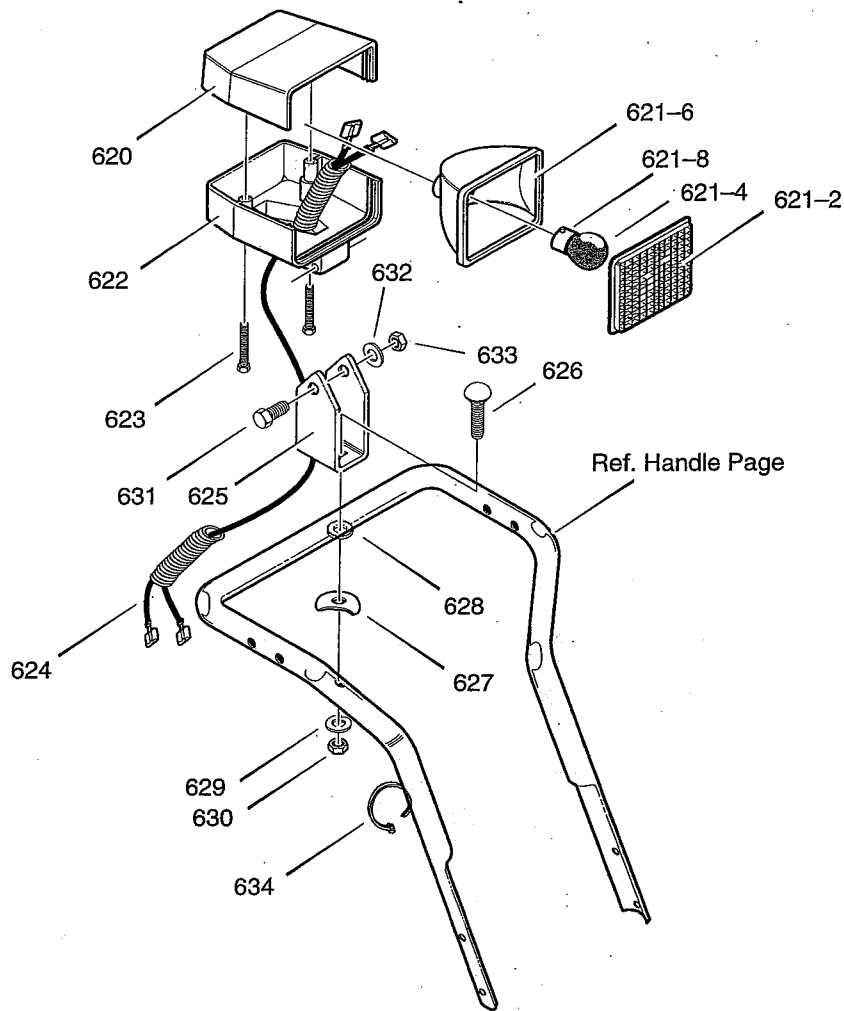


RMTCTRL104A

| <b>Key No.</b> | <b>Part No.</b> | <b>Description</b>            |
|----------------|-----------------|-------------------------------|
| 965            | 318468          | TENSION SPRING                |
| 966            | 711666          | FLATWASHER                    |
| 967            | 310088          | BOLT                          |
| 968            | 73787           | FLATWASHER                    |
| 969            | 302635          | NUT                           |
| 970            | 313676          | SCREW                         |
| 971            | 306447 YZ       | BRACKET, CABLE CHUTE          |
| 972            | 71391           | NUT                           |
| 973            | 95105           | TRIM STRIP, GREY              |
| 975            | 1501310         | CABLE, CHUTE DEFLECTOR        |
| 981            | 780220          | WIRE FORM, REMOTE CHUTE CABLE |
| 987            | 760858          | SCREW                         |
| 994            | 71045           | NUT                           |
| 995            | 304728          | KNOB, SHIFT                   |

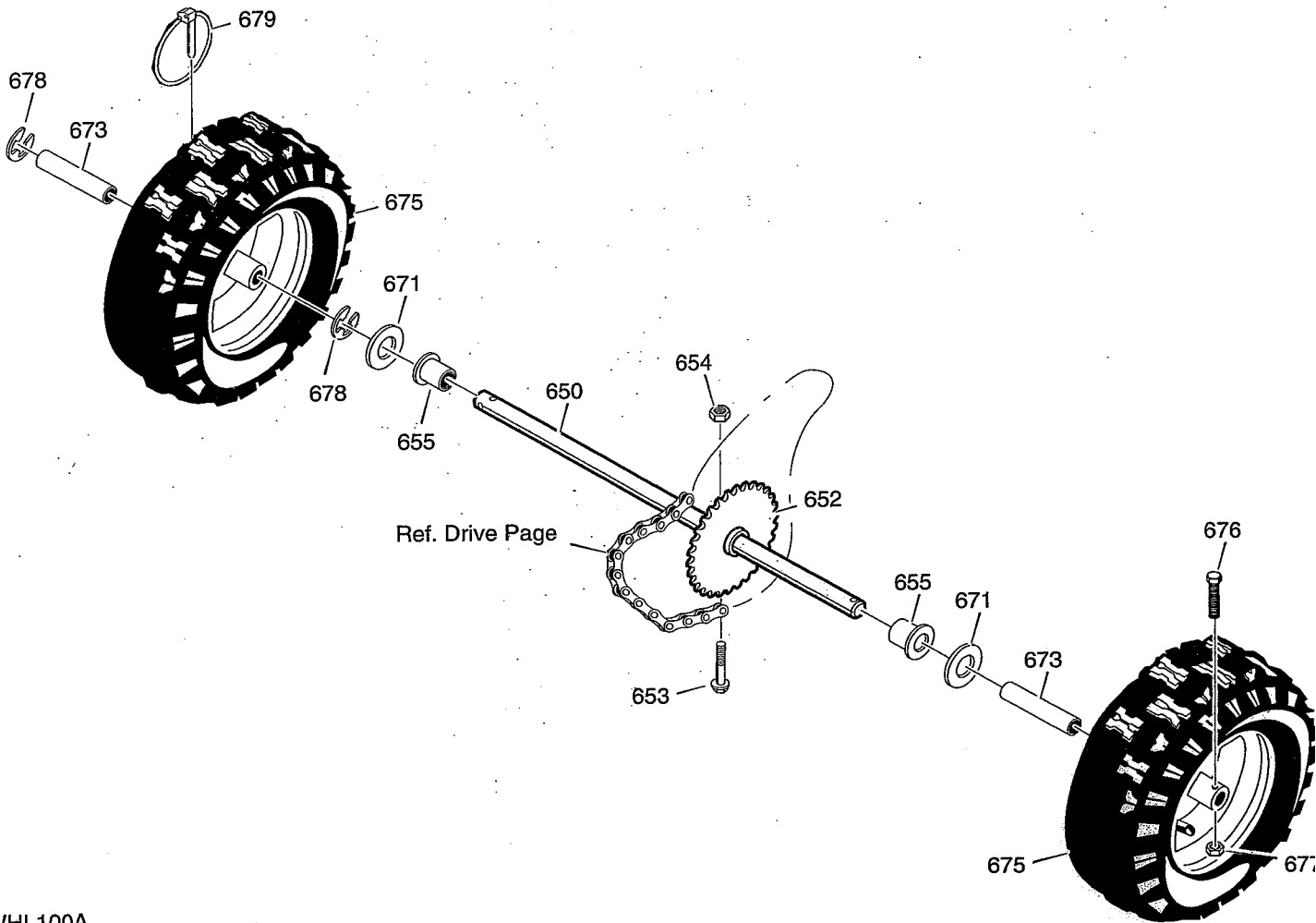
# MODEL 627809x54C

# REPAIR PARTS HEADLIGHT



HDLITE100A

| Key No. | Part No. | Description               |
|---------|----------|---------------------------|
| 620     | 307395   | HOUSING, HEADLIGHT UPPER  |
| 621     | 581575   | HEADLIGHT, ASSY           |
| 621-2   | 309789   | LENS                      |
| 621-4   | 581576   | BULB 1156                 |
| 621-6   | 309792   | BACK, METALIZED           |
| 621-8   | 309793   | SOCKET                    |
| 622     | 580530   | HOUSING, HEADLIGHT LOWER  |
| 623     | 307781   | SCREW, #8X1.75            |
| 624     | 307767   | WIRING HARNESS            |
| 625     | 4029 YZ  | BRACKET, HEADLIGHT        |
| 626     | 580846   | BOLT, 5/16-18X2.25 CARR.  |
| 627     | 580527   | WASHER, SADDLE            |
| 628     | 71061    | WASHER, EXLK .32X.60X.040 |
| 629     | 71060    | WASHER, SPTLK .31X.58X.08 |
| 630     | 71037    | NUT, 5/16-18 REGHEX       |
| 631     | 235      | SCREW, 5/16-18X2.00       |
| 632     | 71060    | WASHER, SPTLK             |
| 633     | 71037    | NUT, 5/16-18 REGHEX       |
| 634     | 57444    | TIE, CABLE                |



WHL100A

| Key No. | Part No. | Description              |
|---------|----------|--------------------------|
| 650     | 1501284  | SHAFT, AXLE              |
| 652     | 1501089  | SPRKT & HUB              |
| 653     | 01x193   | SCREW, 1/4-20X1.75       |
| 654     | 780029   | NUT, 1/4-20 HEX NYLOCK   |
| 655     | 1501114  | BEARING, AXLE            |
| 671     | 712120   | FLATWASHER               |
| 673     | 1501138  | BUSHING, WHEEL           |
| 675     | 580362   | TIRE & RIM               |
| 676     | 577015   | SCREW, 1/4-20X1.75 HH    |
| 677     | 15x145   | NUT, 1/4-20 HEX NYLOCK   |
| 678     | 239      | RING, RET                |
| 679     | 73842    | PIN, KLIK .25 X 1.38 DIA |

