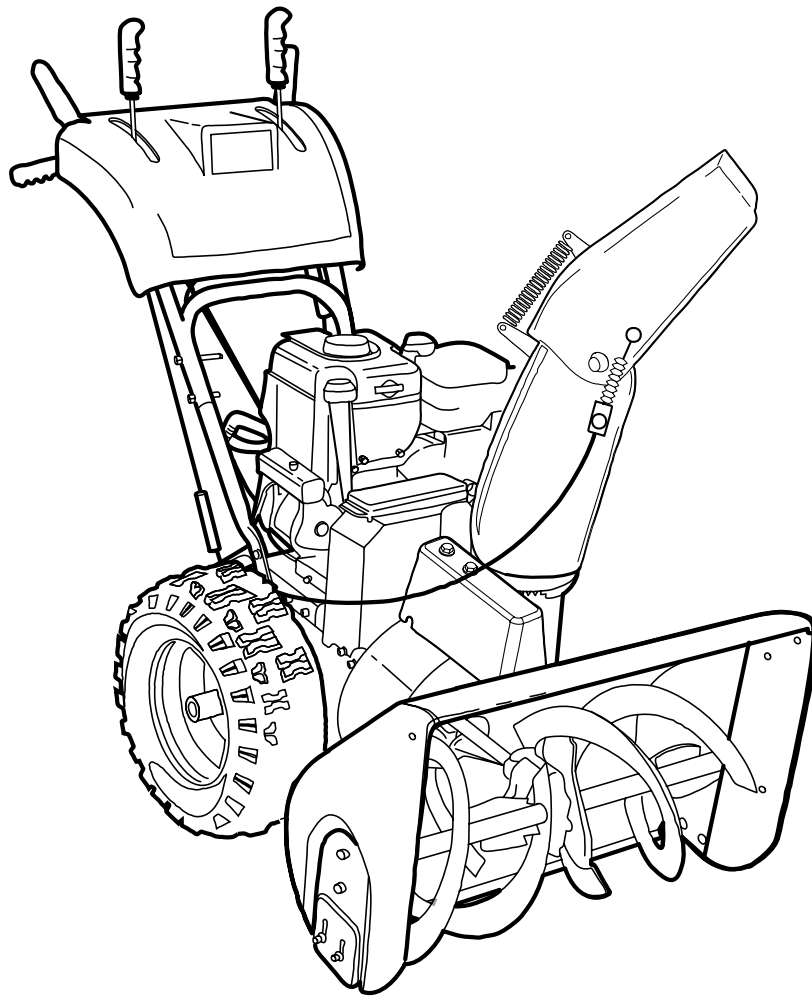


PARTS LIST

**MODEL
1695369**

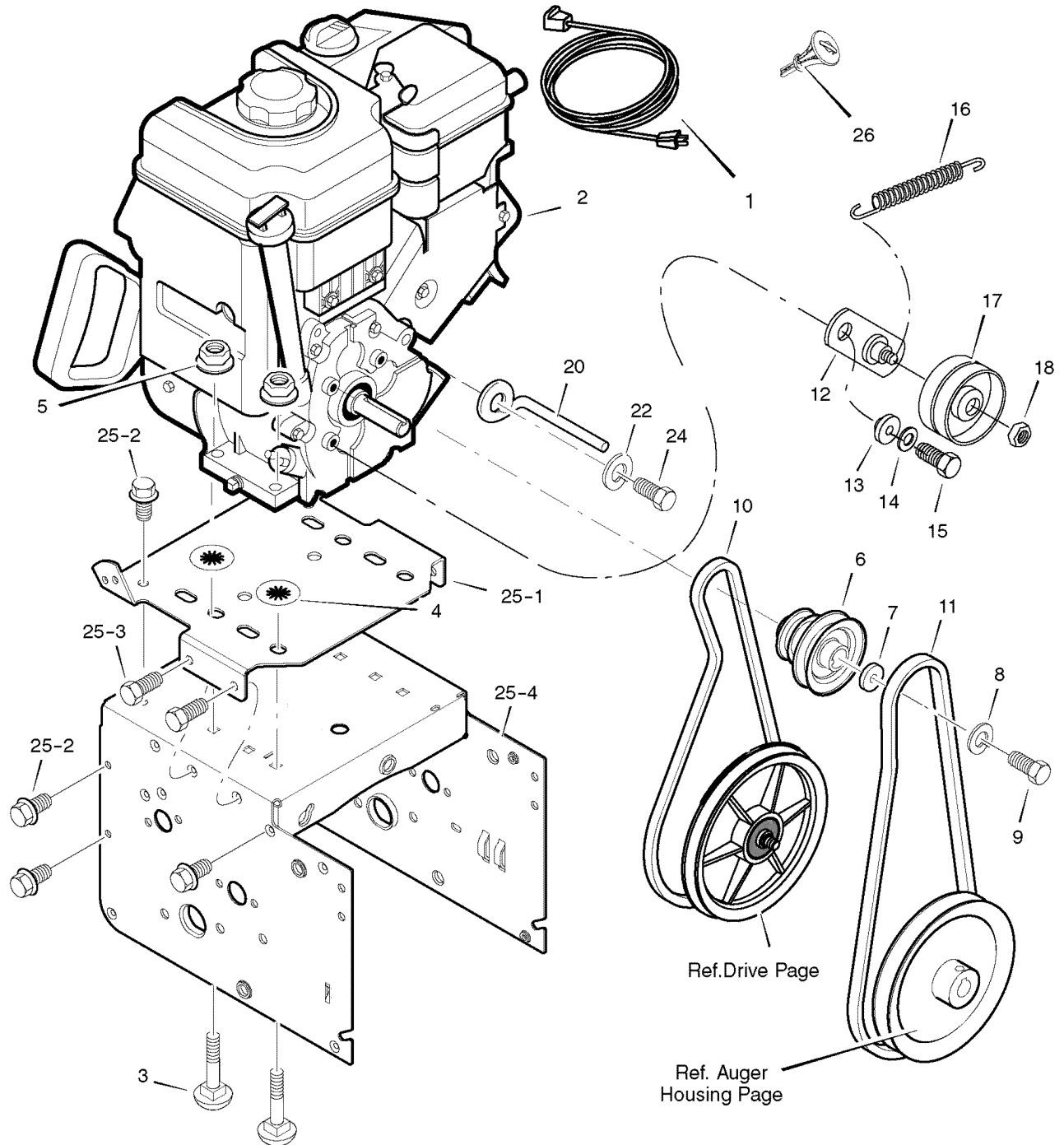


PRODUCT COMPONENTS	PAGES
Engine	4
Frame	6
Drive	8
Auger Housing	12
Discharge Chute	14
Handle Assembly	16
Chute Rotation Motor	20
Control Panel	22
Decals	24
Gear Case	26
Wheels	28
Remote Control	30
Wiring	32
Torque Specification Chart	Inside Back Cover

Engine

NOTE: Unless noted otherwise,
use the standard hardware torque
specification chart.

0003



The above parts group applies to the following Mfg. Nos.:
1695369 - 6291570x54

Engine

REF NO	PART NO.	DESCRIPTION
1	761332MA	CORD, STARTER
2	-----	ENGINE
3	002X97MA	BOLT, CARRIAGE
4	028X76MA	RETAINER, PUSH
5	710026MA	NUT
6	1501109MA	PULLEY, ENGINE
7	17X170MA	WASHER
8	71063MA	WASHER
9	001X20MA	SCREW
10	579932MA	BELT, DRIVE V 4L
11	585416MA	BELT, AUGER V 3L
12	1501112YZMA	BRACKET ASSEMBLY, IDLER
13	1501065MA	BUSHING, IDLER BRACKET
14	71060MA	WASHER, SPLIT
15	710097MA	SCREW 5/16-24 X 0.75
16	53704MA	SPRING, IDLER TRACTION DRIVE
17	1502120MA	PULLEY, IDLER
18	590MA	NUT, JAM 3/8-16
20	1501201MA	GUIDE, ROD BELT
22	71060MA	WASHER
24	710097MA	SCREW
25	-----	FRAME ASSEMBLY
25-1	1740574RMA	PLATE, ENGINE MOUNT
25-2	310169MA	SCREW
25-3	25X020MA	SCREW
25-4	1740641RMA	FRAME, MOTOR BOX
26	695756	KEY, BRIGGS ENGINE
--	1740877	OWNER'S MANUAL

Footnotes

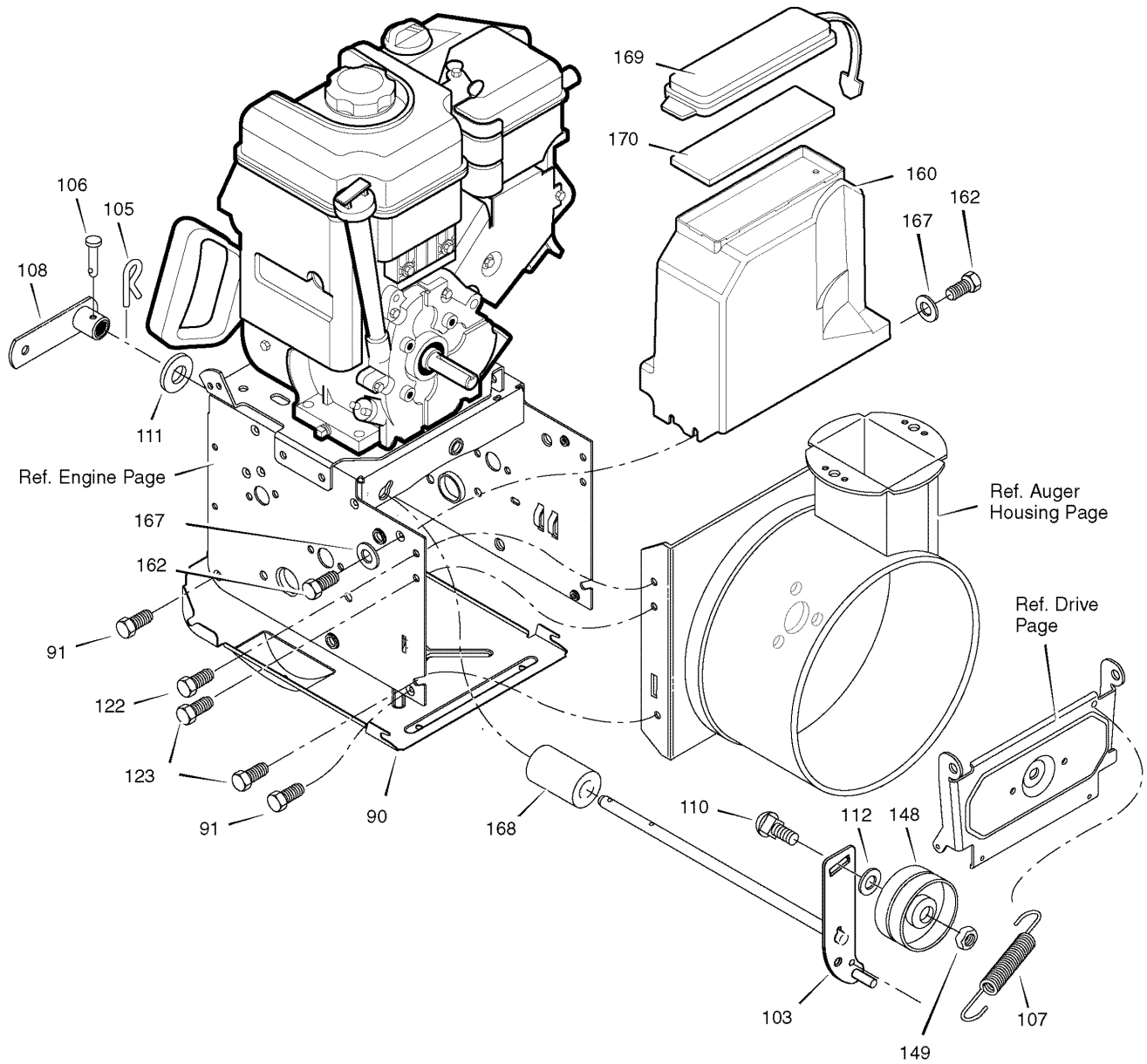
The above parts group applies to the following Mfg. Nos.:

1695369 - 6291570x54

Frame

0007

**NOTE: Unless noted otherwise,
use the standard hardware torque
specification chart.**



The above parts group applies to the following Mfg. Nos.:
1695369 - 6291570x54

Frame

REF NO	PART NO.	DESCRIPTION
90	1740906TMA	COVER, BOTTOM
91	310169MA	SCREW, 1/4-20 X 0.63
103	1502051YZMA	IDLER ASSEMBLY, AUGER
105	711682MA	PIN, HAIR .38DIA X 1.64LG
106	1735135SM	PIN, CLEVIS 3/16" DIA
107	165X159MA	SPRING, TENSION
108	1733451SM	SPRING ATTACH ASSEMBLY
110	585781MA	BOLT, 3/8-16 X 1.25 CARRIAGE
111	711617MA	WASHER, FLAT
112	017X48MA	WASHER
122	25X020MA	SCREW, TAP 5/16-18 X 0.50
123	25X021MA	SCREW, TAP 5/16-18 X 0.75
148	1502120MA	PULLEY, IDLER
149	590MA	NUT, JAM 3/8-16
160	1741069MA	COVER, BELT
162	26X306MA	SCREW, TAP
167	71067MA	WASHER, FLAT
168	1502041MA	SPACER, AUGER BRACKET
169	761167MA	LID, TOOL BOX
170	761187MA	PAD, FOAM

Footnotes

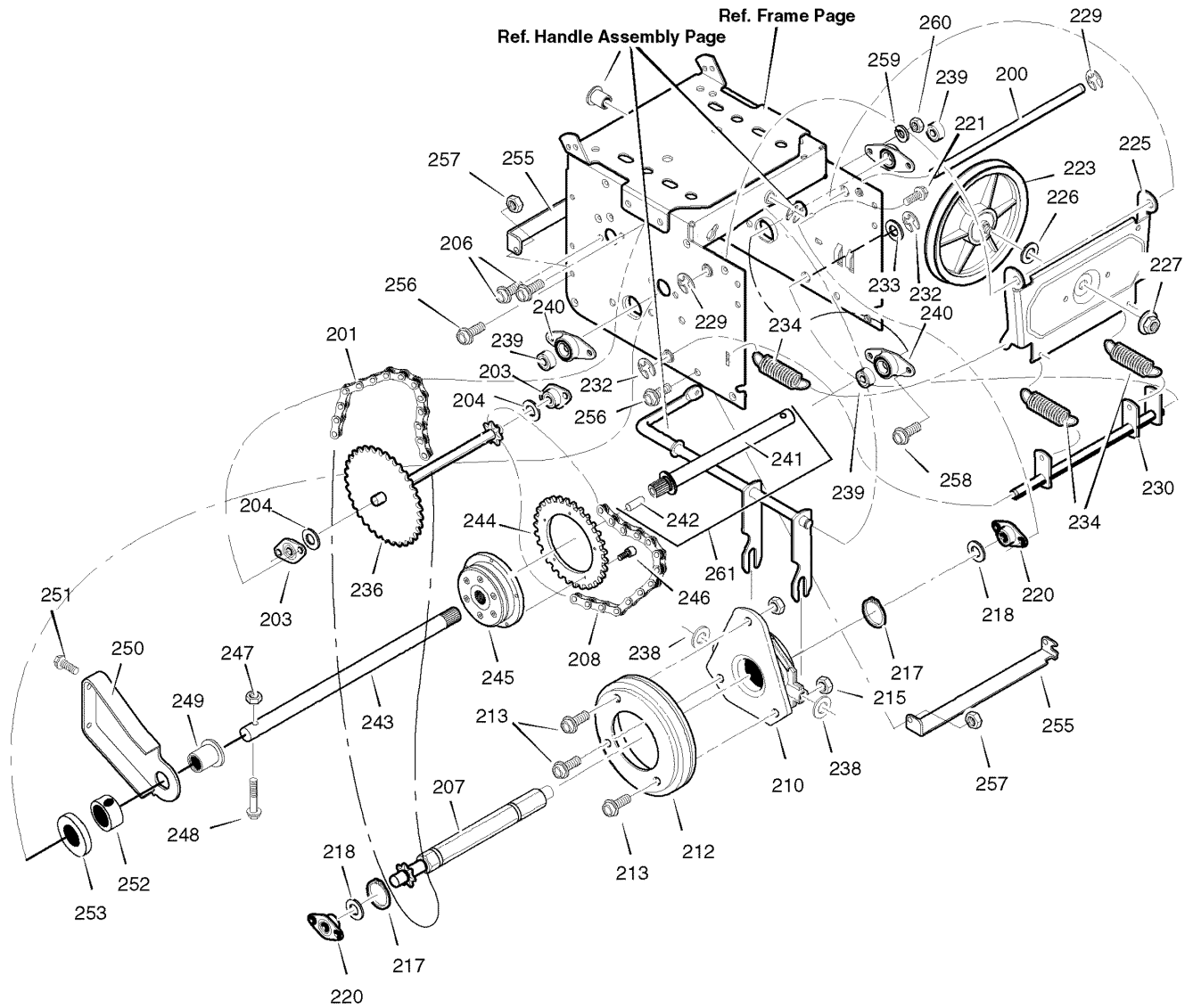
The above parts group applies to the following Mfg. Nos.:

1695369 - 6291570x54

Drive

NOTE: Unless noted otherwise, use the standard hardware torque specification chart.

0009



The above parts group applies to the following Mfg. Nos.:
1695369 - 6291570x54

Drive

REF NO	PART NO.	DESCRIPTION
200	1501092YZMA	LF AXLE, SWING PLATE YZ
201	579851MA	CHAIN, ROLLER #420 X 19.00
203	334163MA	BEARING AND RETAINER, ASSEMBLY
204	579858MA	WASHER
206	25X020MA	SCREW, TAP 5/16-18 X 0.5
207	1501630MA	HEX SHAFT ASSEMBLY
208	579868MA	CHAIN, ROLLER #420 X 18.00 LG
210	337029MA	BEARING, TRUNION CLUTCH R
212	1501435MA	WHEEL, FRICTION DISC
213	001X38MA	BOLT
215	303008MA	NUT, KEPS HEX 1/4-20
217	579859MA	RING, RETEXT
218	579858MA	WASHER
220	334163MA	BEARING AND RETAINER ASSEMBLY
221	25X020MA	SCREW, TAP 5/16-18 X 0.5
223	1501115MA	FRICTION PULLY
225	1501057YZMA	LF PLATE, SWINGING YZ
226	1501158MA	SPACER, FRICTION PULLEY
227	15X114MA	NUT, FLANGE LOCK 3/8-24
229	11X30MA	RETAINER, RING
230	1502084YZMA	ASSEMBLY, SPRING LINK STEERABLE
232	11X30MA	RETAINER, RING
233	017X57MA	WASHER
234	165X112MA	SPRING, EXTENSION
236	1501652MA	SPROCKET SET 33T/7
238	71074MA	WASHER, FLAT
239	53263MA	BEARING, BALL
240	50648MA	RETAINER, BEARING
241	1502097YZMA	AXLE, LEFT
242	1502024MA	PIN, AXLE
243	1732566SM	AXLE AND BUSHING, RIGHT
244	1501623MA	SPROCKET
245	1501619MA	CLUTCH, AUTO LOCK
246	352X3MA	SCREW
247	15X145MA	NUT
248	577015MA	BOLT
249	1501114MA	BEARING, AXLE
250	1501618YZMA	BRACKET, AXLE SUPPORT
251	25X021MA	SCREW
252	1501620MA	COLLAR, LOCKING
253	17X195MA	WASHER
255	1502030YZMA	BRACKET, SUPPORT
256	001X38MA	BOLT

Footnotes

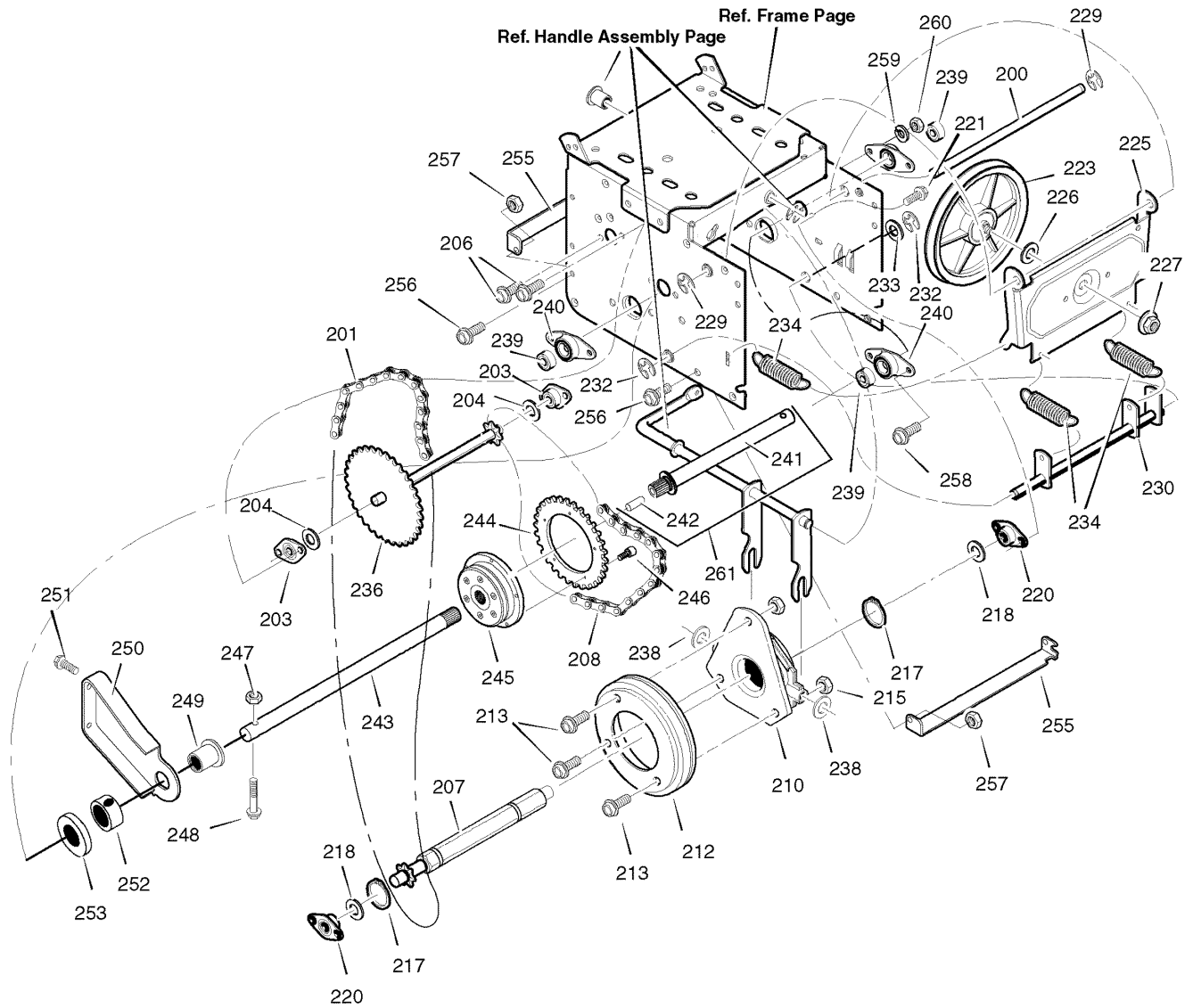
The above parts group applies to the following Mfg. Nos.:

1695369 - 6291570x54

Drive

NOTE: Unless noted otherwise,
use the standard hardware torque
specification chart.

0009



The above parts group applies to the following Mfg. Nos.:

1695369 - 6291570x54

Drive

REF NO	PART NO.	DESCRIPTION
257	780285MA	NUT
258	001X85MA	BOLT
259	71062MA	WASHER
260	71044MA	NUT
261	1502098MA	AXLE WASHER PIN ASSEMBLY

Footnotes

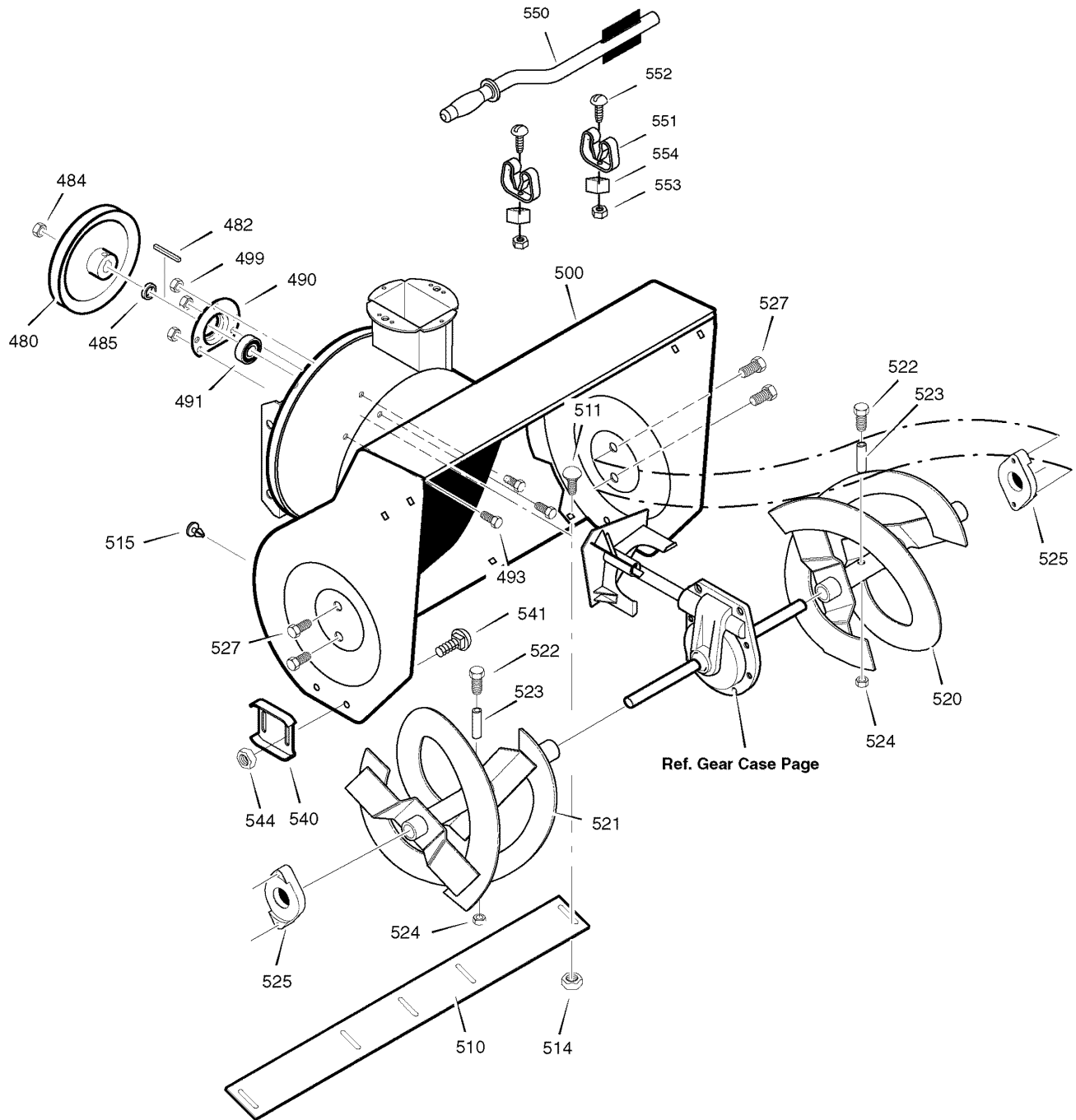
The above parts group applies to the following Mfg. Nos.:

1695369 - 6291570x54

Auger Housing

0011

NOTE: Unless noted otherwise,
use the standard hardware torque
specification chart.



The above parts group applies to the following Mfg. Nos.:
1695369 - 6291570x54

Auger Housing

REF NO	PART NO.	DESCRIPTION
480	583146MA	PULLEY, 4L 8.40 OD
482	2001022MA	KEY, SQUARE 3/16 X 3/4
484	15X112MA	NUT, 1/2-20
485	1501158MA	SPACER, FRICTION PULLEY
490	582957YZMA	RETAINER, BALL BEARING
491	1501389MA	BEARING, BALL
493	001X45MA	BOLT, HEX 5/16-18 X 0.62
499	710026MA	NUT, 5/16-18 HEXWDFLLK
500	1740605RMA	HOUSING, ASSEMBLY
510	1740746TMA	BLADE, SCRAPER
511	340720MA	BOLT, 5/16-18 X 0.75
514	710026MA	NUT, 5/16-18
515	760040MA	PLUG PANEL, BLACK
520	1740740TMA	AUGER, ASSEMBLY, LH
521	1740741TMA	AUGER, ASSEMBLY, RH
522	9524MA	SCREW, 1/4-20 X 1.75
523	3943MA	SPACER, SLEEVE
524	73826MA	NUT, 1/4-20
525	53757MA	BEARING, FLANGE
527	25X021MA	SCREW, 5/16-18 x 0.75
540	1740913TMA	SKID, HEIGHT ADJUST
541	7090731SM	BOLT, 5/16-18 X 0.5
544	710026MA	NUT, 5/16-18
550	1501576MA	BRUSH, CLEANOUT
551	1501672MA	CLIP, RETAINER
552	06X115MA	SCREW
553	15X146MA	NUT
554	578063MA	BLOCK
--	1501216MA	KIT, SHEAR BOLT

Footnotes

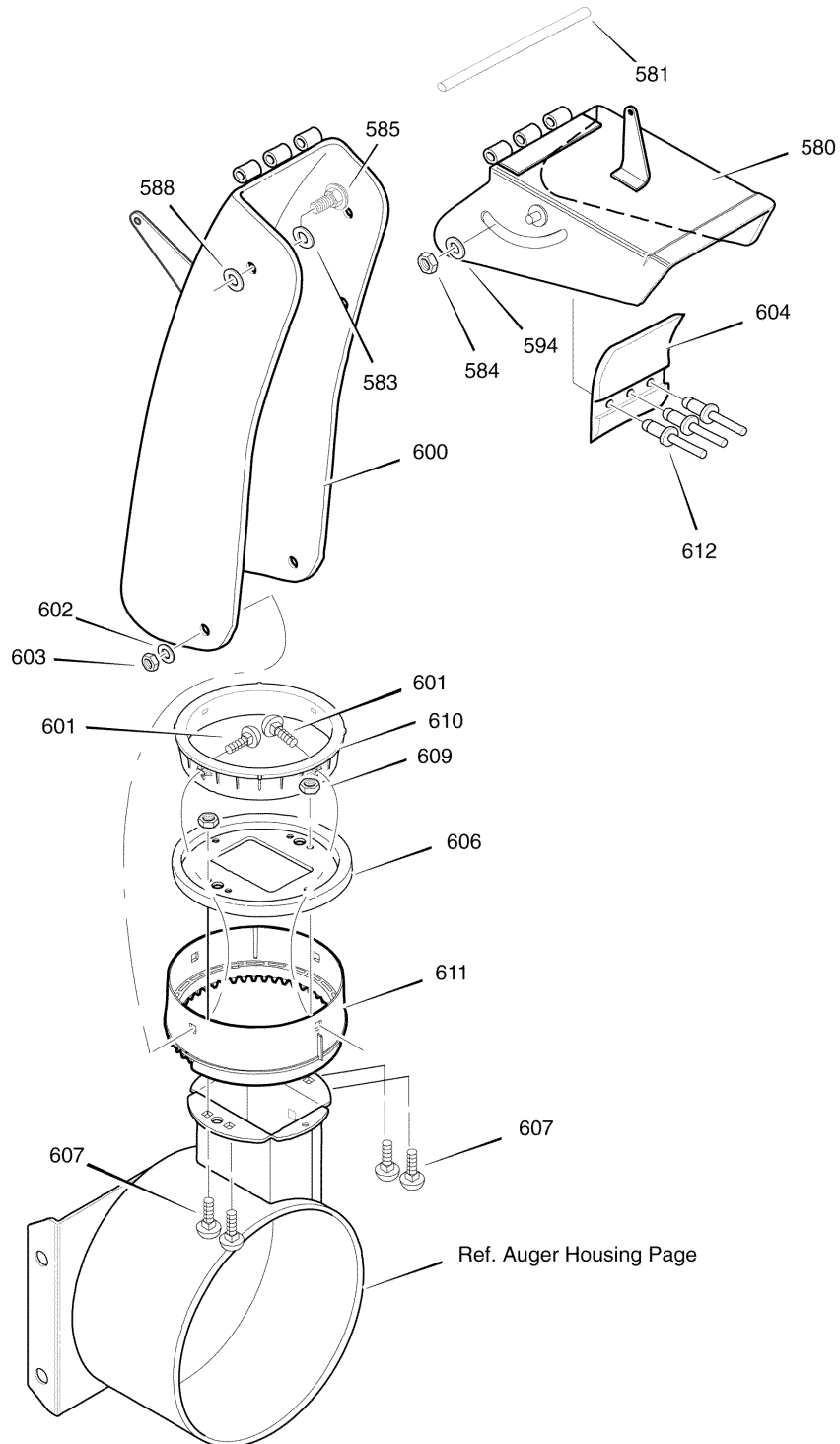
The above parts group applies to the following Mfg. Nos.:

1695369 - 6291570x54

Discharge Chute

0019

NOTE: Unless noted otherwise,
use the standard hardware torque
specification chart.



The above parts group applies to the following Mfg. Nos.:

1695369 - 6291570x54

Discharge Chute

REF NO	PART NO.	DESCRIPTION
580	1741238TMA	CHUTE, UPPER
581	305216MA	PIN, HINGE
583	12021MA	WASHER, PLASTIC
584	71038MA	NUT, 5/16-18 REGHEX NYLOCK
585	578088MA	SCREW, 5/16-18 x 0.75
588	67111MA	WASHER, PLASTIC
594	71071MA	WASHER, FLAT
600	1741237TMA	CHUTE, LOWER
601	2X100MA	BOLT, 5/16-18 X 1.00
602	71071MA	WASHER, FLAT
603	71038MA	NUT, 5/16-18 HEXNYL
604	760268MA	FLAP, CHUTE
606	1501932YZMA	CHUTE COLLAR
607	02X101MA	SCREW, 1/4-20 X 0.75
609	15X145MA	NUT, 1/4-20 HEX NYLOCK
610	337227MA	RETAINER RING INNER
611	1501476MA	RETAINER RING OUTER
612	760987MA	RIVET

Footnotes

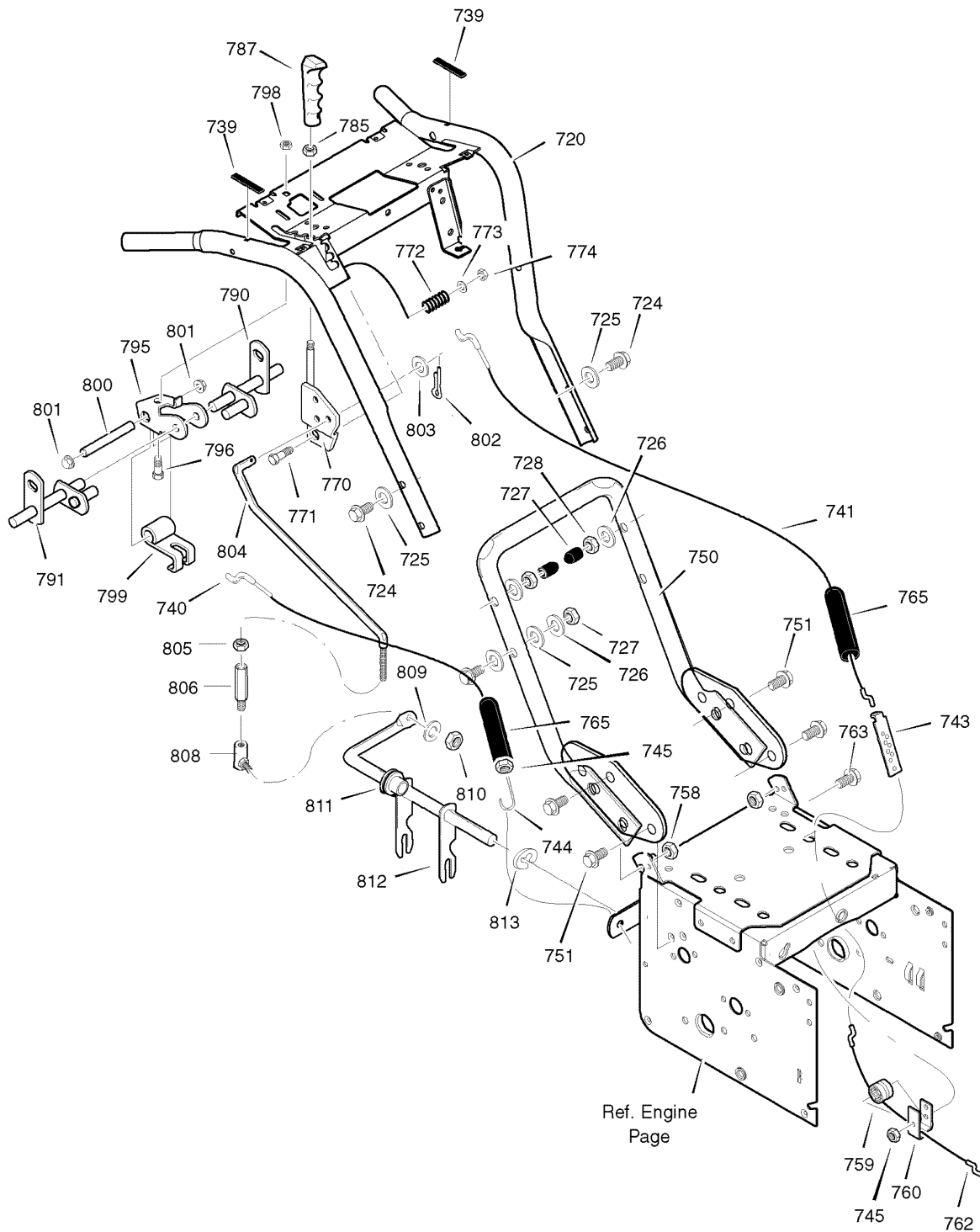
The above parts group applies to the following Mfg. Nos.:

1695369 - 6291570x54

Handle Assembly

0013

**NOTE: Unless noted otherwise,
use the standard hardware torque
specification chart.**



The above parts group applies to the following Mfg. Nos.:
1695369 - 6291570x54

Handle Assembly

REF NO	PART NO.	DESCRIPTION
720	1740578HMA	HANDLE ASSEMBLY
724	7288MA	SCREW
725	71072MA	WASHER, FLAT
726	71062MA	WASHER
727	71044MA	NUT
728	7289MA	STOP, PLASTIC
739	4049MA	BUMPER
740	1501451MA	CABLE, AUGER CLUTCH
741	1501452MA	CABLE, DRIVE
743	313441MA	BRACKET, CABLE ADJUST
744	1673MA	SPRING, CLUTCH
745	15X145MA	NUT, HEX
750	1740580TMA	HANDLE, LOWER
751	25X021MA	SCREW
758	15X144MA	NUT, HEX, 5/16-18 YZ
759	579860MA	SPOOL, CABLE
760	1501059YZMA	BRACKET, SPOOL
762	1501122MA	CABLE, LOWER DRIVE
763	001798MA	BOLT, HEX 1/4-20 X 1.5
765	308146MA	BOOT, CABLE
770	1501570YZMA	BRACKET, SHIFT
771	4058MA	SCREW
772	50786MA	SPRING
773	71072MA	WASHER, FLAT
774	71046MA	NUT, HEX
785	71045MA	NUT, HEX
787	304728MA	KNOB, SHIFT
790	1740637MA	ROD, ASSEMBLY LH
791	1740635MA	ROD, ASSEMBLY RH
795	1740652MA	BRACKET, CAM
796	002X53MA	SCREW
798	71038MA	NUT, NYLOCK
799	8417MA	CAM LOCK
800	584673MA	PIN, SPRING PIVOT
801	73664MA	NUT, PUSH ON
802	71081MA	PIN, COTTER
803	71071MA	FLATWASHER
804	1501728MA	ROD, SPEED CONTROL
805	71042MA	NUT, 5/16-18
806	6352MA	ADAPTER, ROD
808	50782MA	BALLJOINT, STEEL
809	71060MA	WASHER
810	71042MA	NUT, 5/16-18

Footnotes

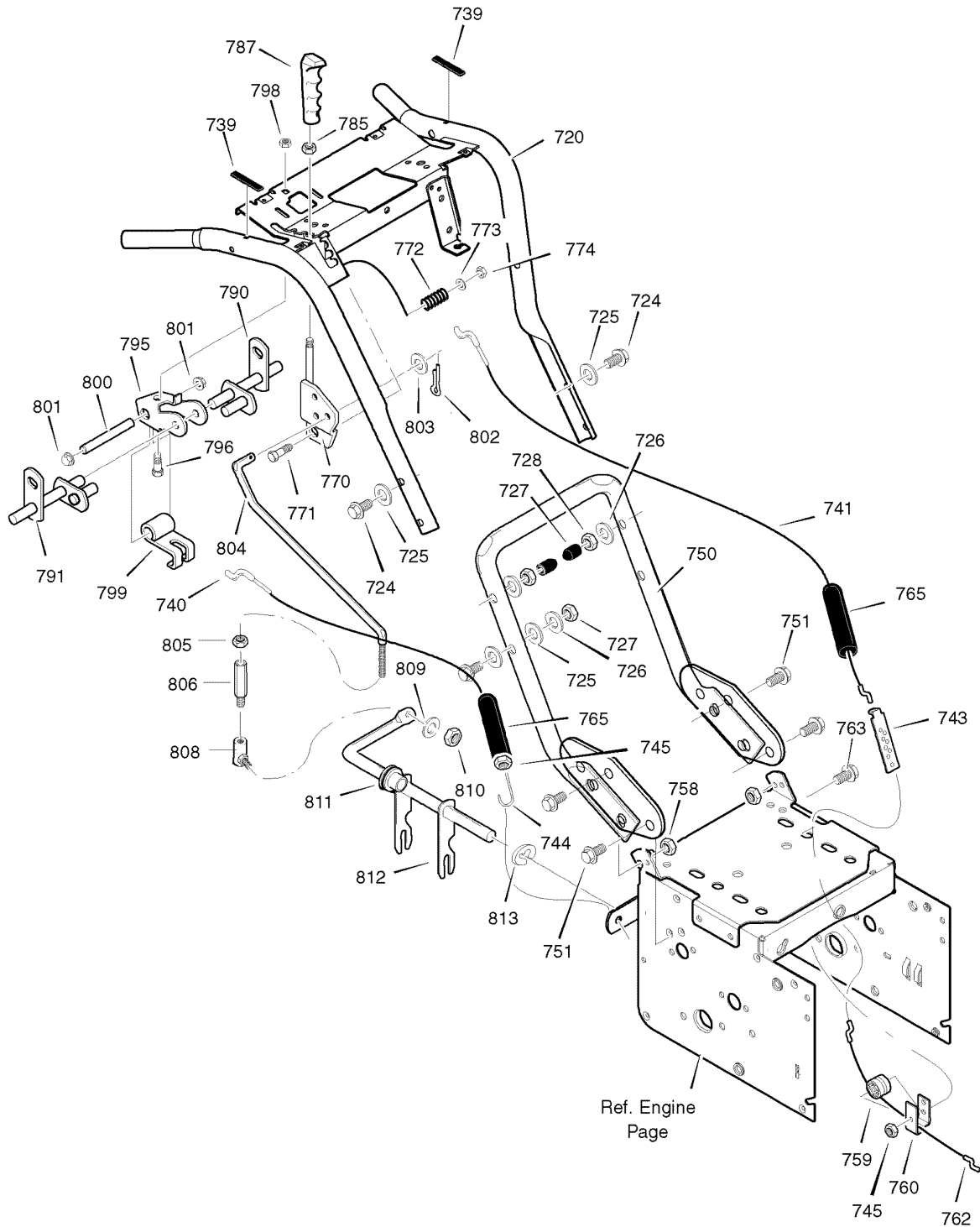
The above parts group applies to the following Mfg. Nos.:

1695369 - 6291570x54

Handle Assembly

0013

**NOTE: Unless noted otherwise,
use the standard hardware torque
specification chart.**



The above parts group applies to the following Mfg. Nos.:
1695369 - 6291570x54

Handle Assembly

REF NO	PART NO.	DESCRIPTION
811	579944MA	BEARING, FLANGE
812	1501110YZMA	ROD, YOKE
813	11X30MA	RETAINER, RING

Footnotes

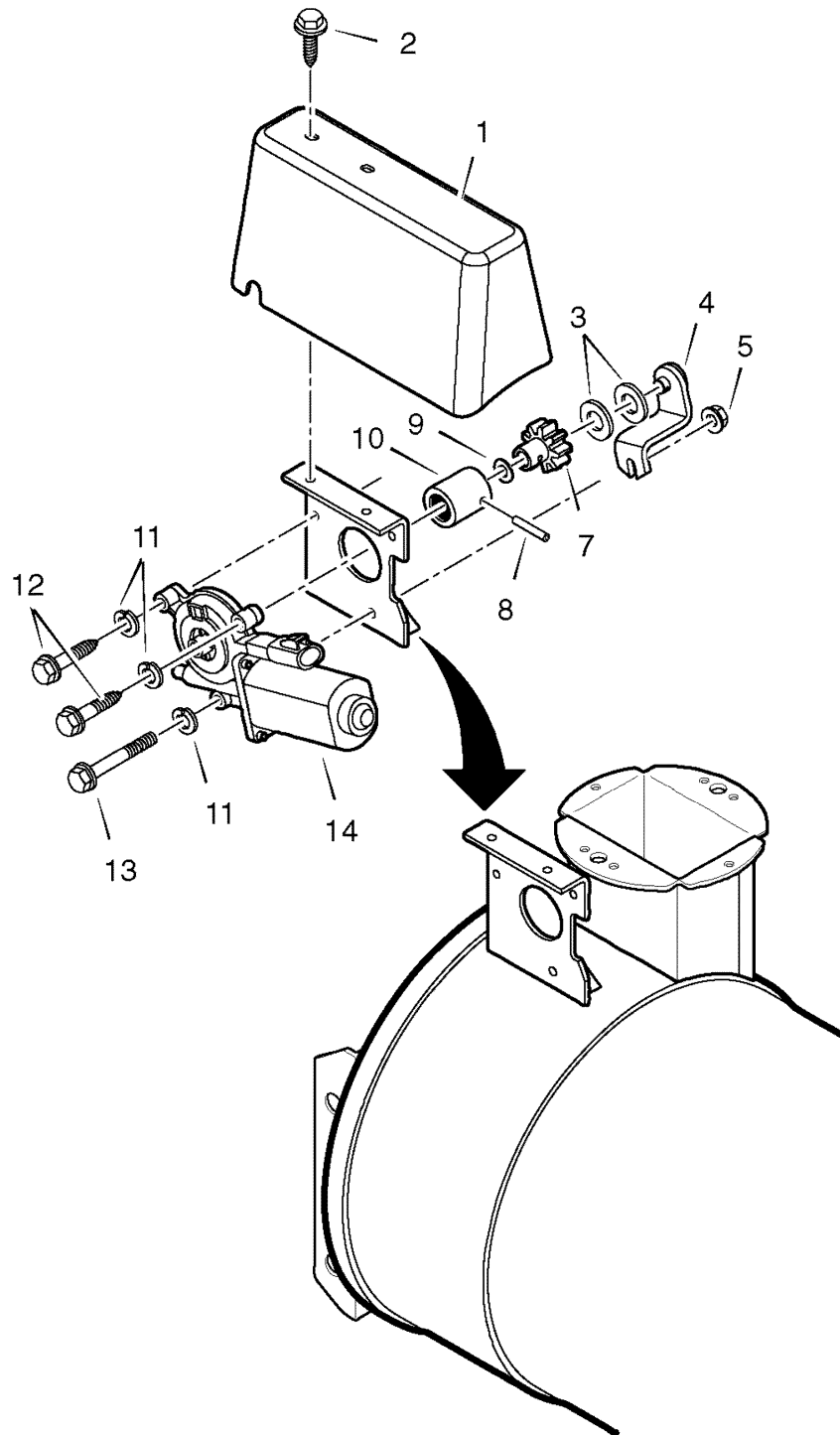
The above parts group applies to the following Mfg. Nos.:

1695369 - 6291570x54

Chute Rotation Motor

0023

NOTE: Unless noted otherwise, use the standard hardware torque specification chart.



The above parts group applies to the following Mfg. Nos.:

1695369 - 6291570x54

Chute Rotation Motor

REF NO	PART NO.	DESCRIPTION
1	1501347MA	COVER, MOTOR
2	26X263MA	SCREW
3	17X185MA	WASHER
4	1501396MA	BRACE, CHUTE GEAR
5	15X143MA	NUT
7	1501067MA	GEAR
8	032X75MA	PIN, SPRING
9	1501430MA	RING, RETAINER
10	1501341MA	ADAPTER
11	018X30MA	WASHER
12	26X310MA	SCREW
13	001X94MA	BOLT, HEX
14	1501340MA	MOTOR, ELECTRIC

Footnotes

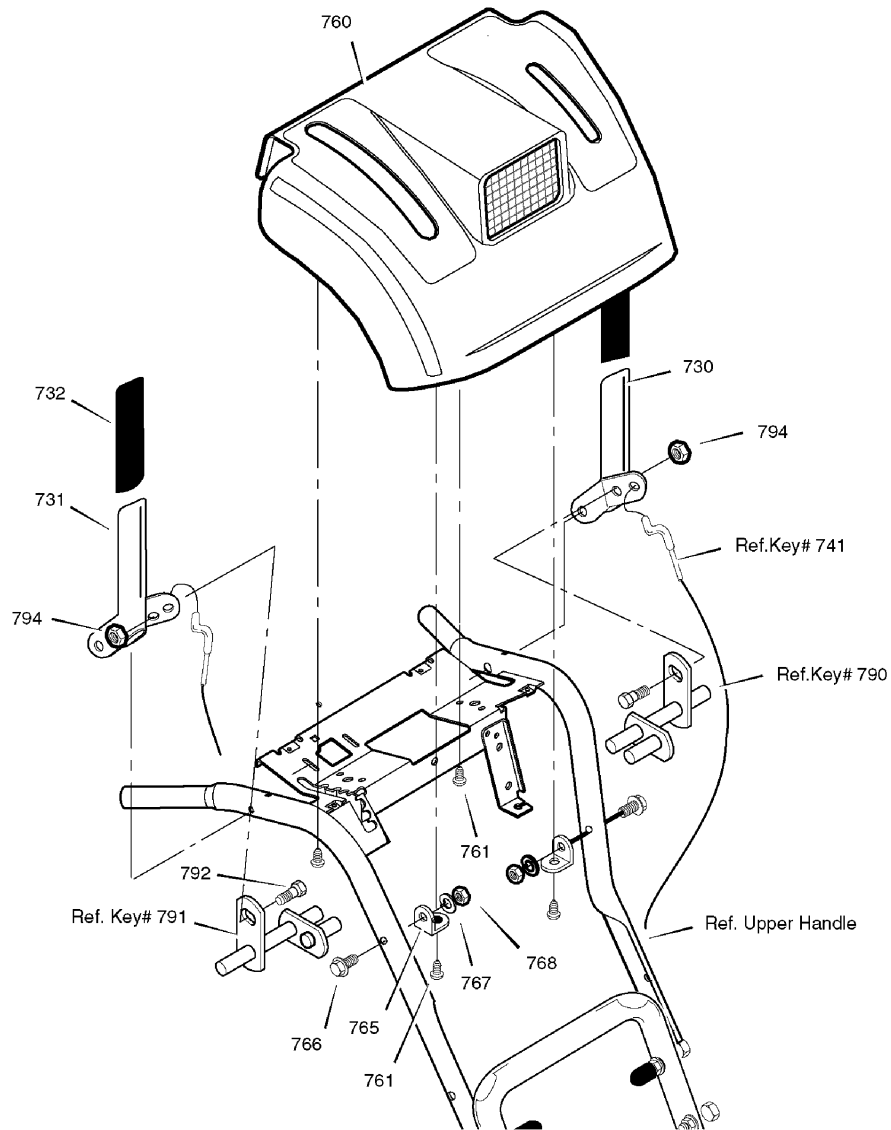
The above parts group applies to the following Mfg. Nos.:

1695369 - 6291570x54

Control Panel

0015

NOTE: Unless noted otherwise,
use the standard hardware torque
specification chart.



The above parts group applies to the following Mfg. Nos.:

1695369 - 6291570x54

Control Panel

REF NO	PART NO.	DESCRIPTION
730	1740603MA	CLUTCH HANDLE LH
731	1740602MA	CLUTCH HANDLE RH
732	337380MA	GRIP, CLUTCH LEVER
760	1501399MA	PANEL, CONTROL
761	316042MA	SCREW
765	578866E701MA	BRACKET, PANEL
766	302900MA	SCREW, 5/16-18 x 1.75
767	71060MA	WASHER
768	15X144MA	NUT, 5/16-18
792	905531MA	BOLT, 1/4-20 X 0.50
794	908913MA	NUT, 1/4-20

Footnotes

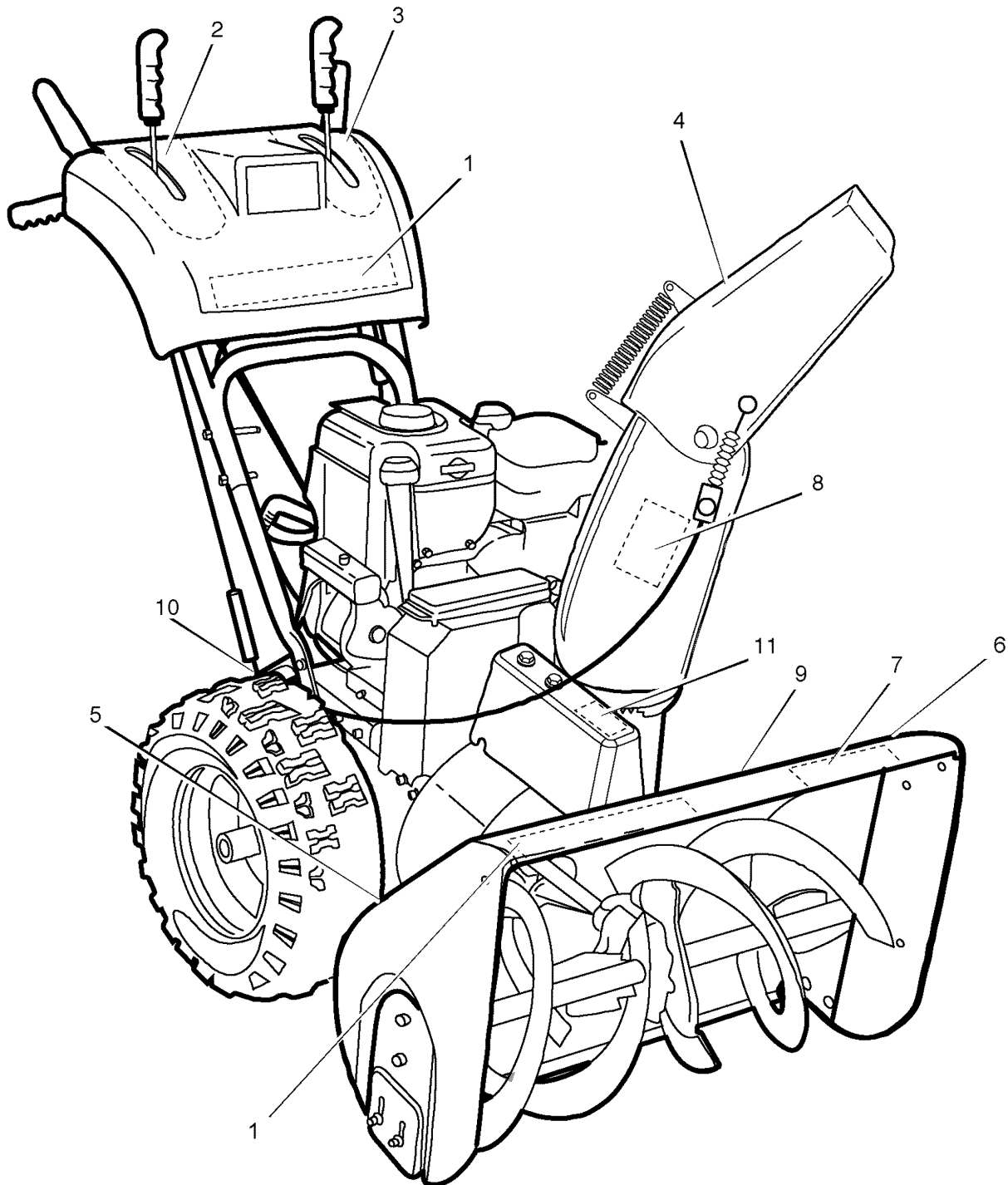
The above parts group applies to the following Mfg. Nos.:

1695369 - 6291570x54

Decals

NOTE: Unless noted otherwise,
use the standard hardware torque
specification chart.

0027



The above parts group applies to the following Mfg. Nos.:
1695369 - 6291570x54

Decals

REF NO	PART NO.	DESCRIPTION
1	1740725MA	DECAL, CANADIANA
2	1740766MA	DECAL, CANADIANA 160/84 SPEED
3	1740711MA	DECAL, REMOTE CHUTE TRACTION
4	586341MA	DECAL, ISO CHUTE
5	586342MA	DECAL, ISO AUGER
6	304427MA	DECAL, FACE HEAD PHONES
7	1740762MA	DECAL, 1450/74 TOP AUGER WHITE
8	1740708MA	DECAL, POWER 2 STEER
9	48X5386MA	DECAL, 104db CE
10	-----	DECAL, ID PLATE
11	48X5582MA	DECAL, PINCH POINT ELECTRIC CHUTE

Footnotes

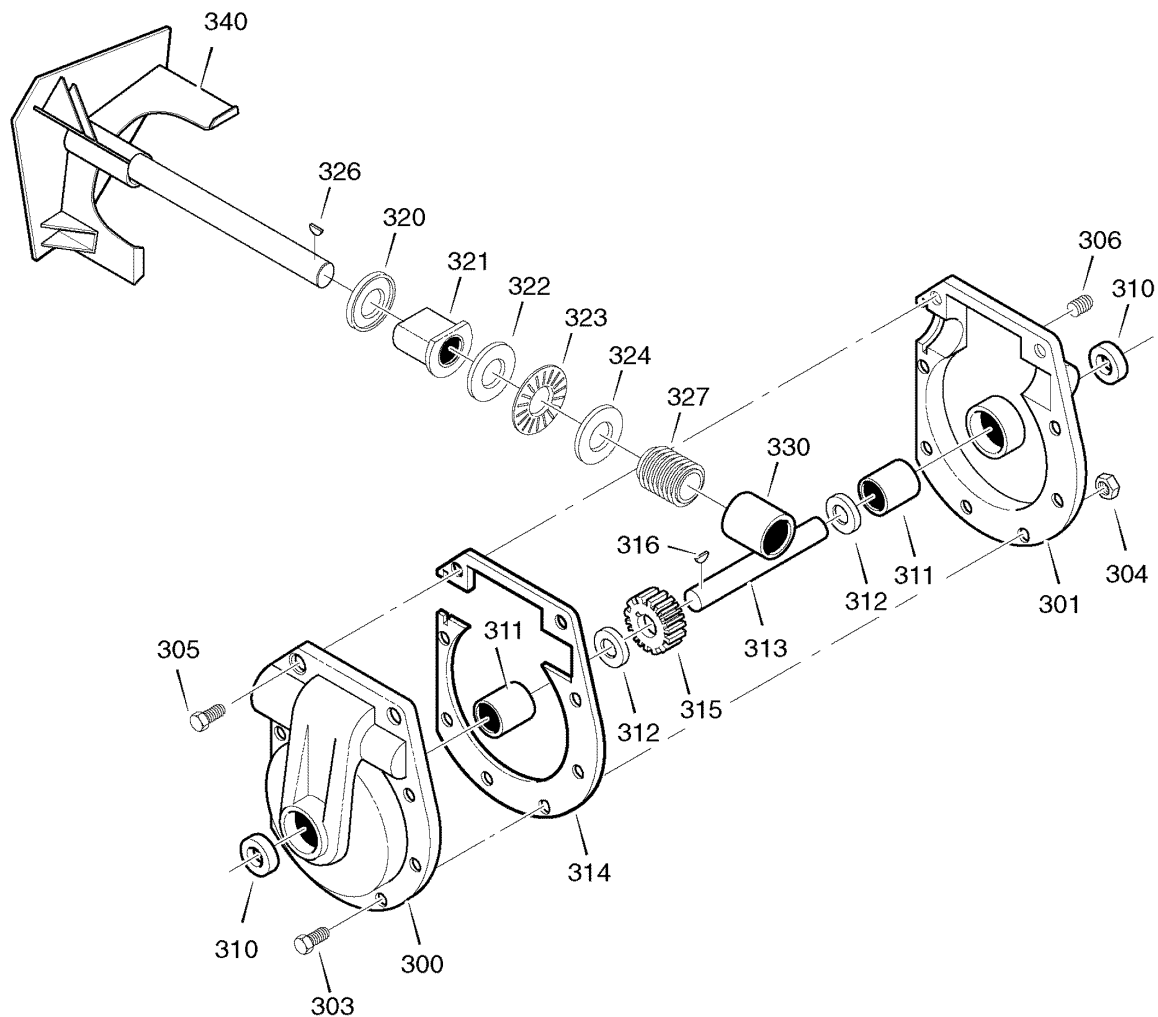
The above parts group applies to the following Mfg. Nos.:

1695369 - 6291570x54

Gear Case

0005

NOTE: Unless noted otherwise,
use the standard hardware torque
specification chart.



The above parts group applies to the following Mfg. Nos.:

1695369 - 6291570x54

Gear Case

REF NO	PART NO.	DESCRIPTION
300	896MA	CASE, GEAR, RH
301	895MA	CASE, GEAR, LH
303	910828MA	SCREW, 5/16-24 x 1.00
304	71100MA	NUT, 5/16-24
305	330434MA	SCREW, 5/16-24 x 1.50
306	53749MA	PLUG, PIPE 0.25-18
310	780151MA	SEAL, OIL
311	53743MA	BEARING, SLEEVE
312	53748MA	WASHER, FLAT
313	760528MA	SHAFT, AUGER OUTPUT
314	897MA	GASKET, GEAR BOX
315	53730MA	WORM GEAR
316	73905MA	KEY, WOODRUFF #91
320	53737MA	RING, QUAD 0.924 ID
321	583126MA	BEARING, FLANGE
322	48275MA	WASHER, FLAT
323	50684MA	BEARING, ROLLER
324	48275MA	WASHER, FLAT
326	50795MA	KEY
327	53732MA	WORM
330	53731MA	BEARING, SLEEVE
340	1740584TMA	IMPELLER
--	333431MA	10oz TUBE LUBRIPLATE

Footnotes

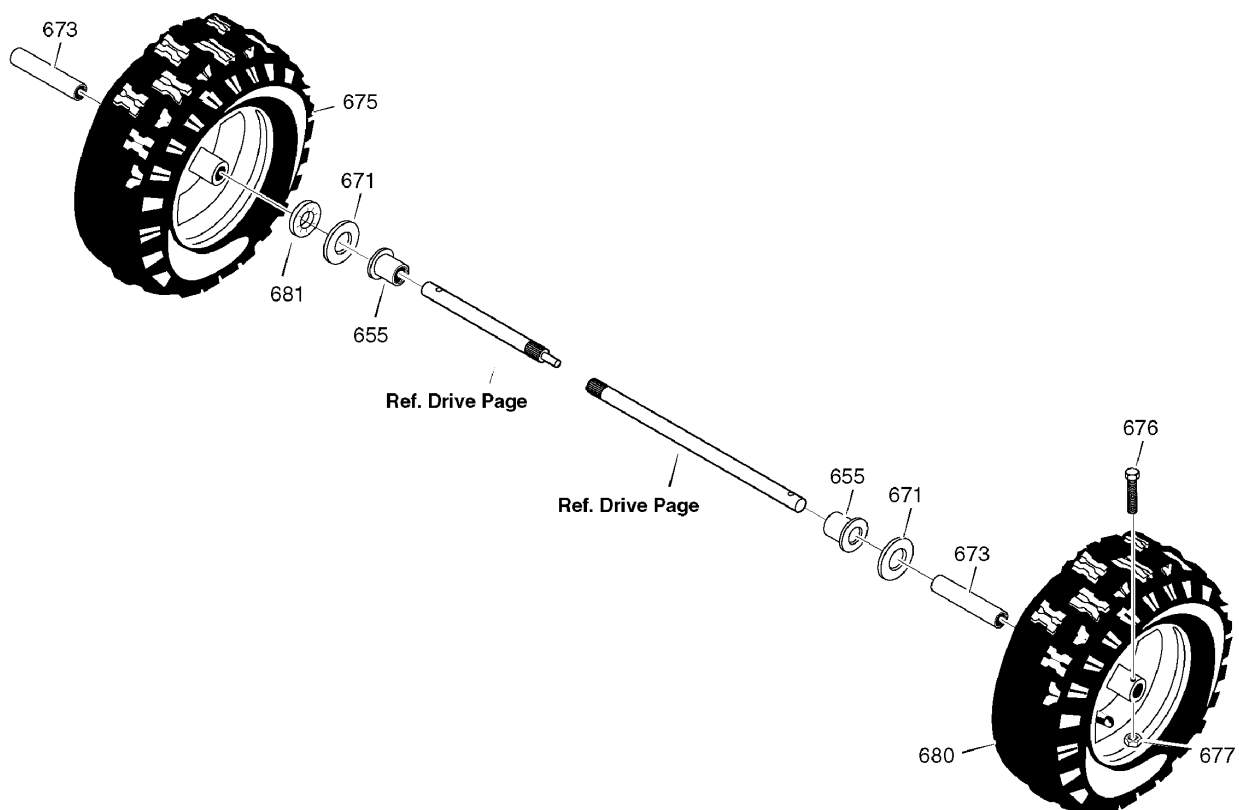
The above parts group applies to the following Mfg. Nos.:

1695369 - 6291570x54

Wheels

0025

NOTE: Unless noted otherwise,
use the standard hardware torque
specification chart.



The above parts group applies to the following Mfg. Nos.:

1695369 - 6291570x54

Wheels

REF NO	PART NO.	DESCRIPTION
655	1501114MA	BEARING, AXLE
671	017X83MA	FLATWASHER
673	1501138MA	BUSHING, WHEEL
675	1501837MA	TIRE & RIM, LEFT
676	577015MA	SCREW, 1/4-20 X 1.75 HH
677	15X145MA	NUT, 1/4-20 HEX NYLOCK
680	1501836MA	TIRE & RIM, RIGHT
681	239MA	RETAINER

Footnotes

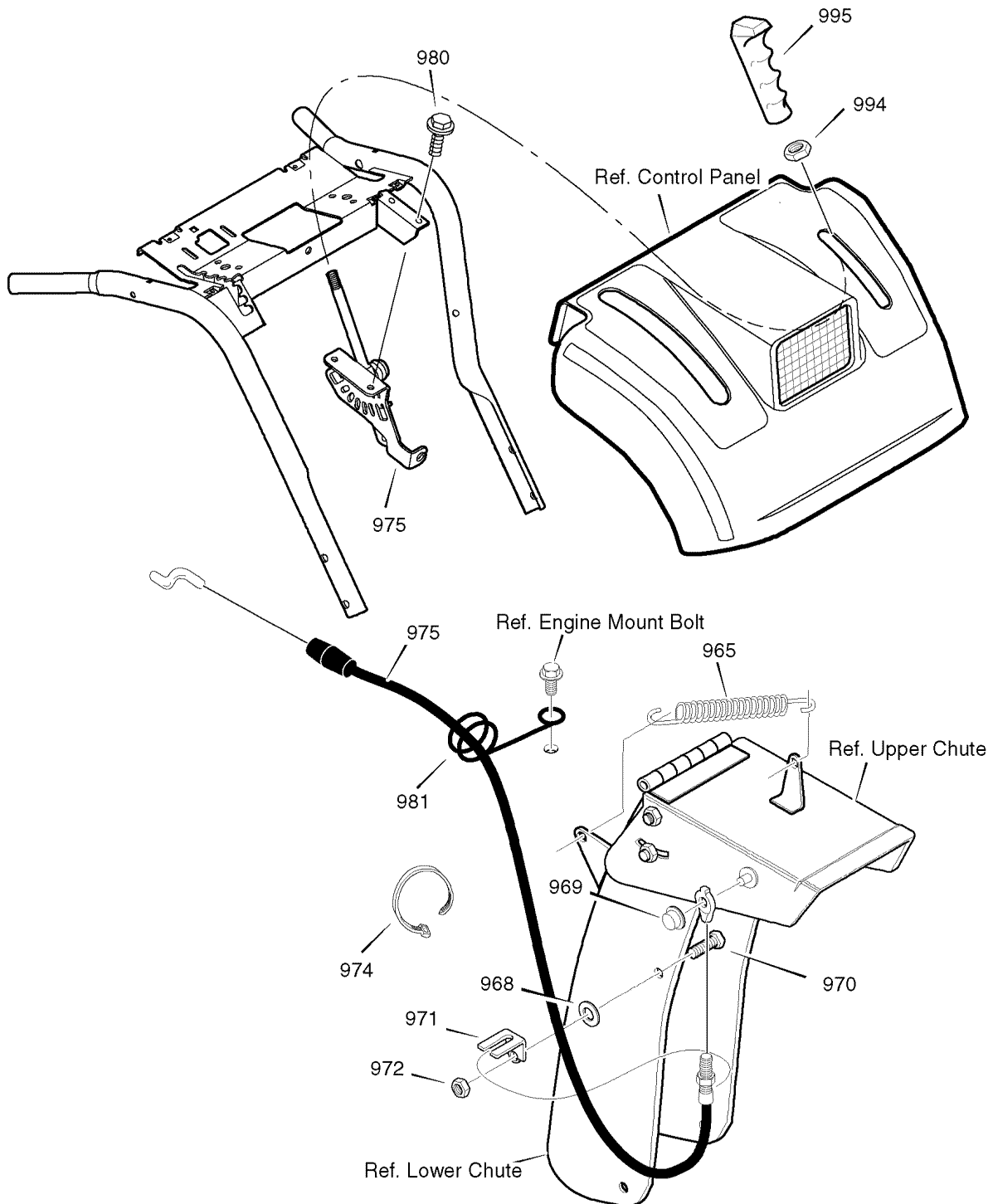
The above parts group applies to the following Mfg. Nos.:

1695369 - 6291570x54

Remote Control

NOTE: Unless noted otherwise,
use the standard hardware torque
specification chart.

0017



The above parts group applies to the following Mfg. Nos.:

1695369 - 6291570x54

Remote Control

REF NO	PART NO.	DESCRIPTION
965	318468MA	TENSION SPRING
968	3535MA	PUSH NUT
969	15X143MA	NUT
970	313676MA	SCREW, 5/16-18 X 0.75
971	306447YZMA	BRACKET, CABLE CHUTE
972	71391MA	NUT, 5/16-18
974	071372MA	TIE, CABLE
975	1501393MA	LEVER & CABLE, CHUTE DEFLECTOR
980	760858MA	SCREW
981	780220MA	WIRE FORM, CHUTE CABLE
994	71045MA	NUT, 3/8-16
995	304728MA	KNOB, SHIFT

Footnotes

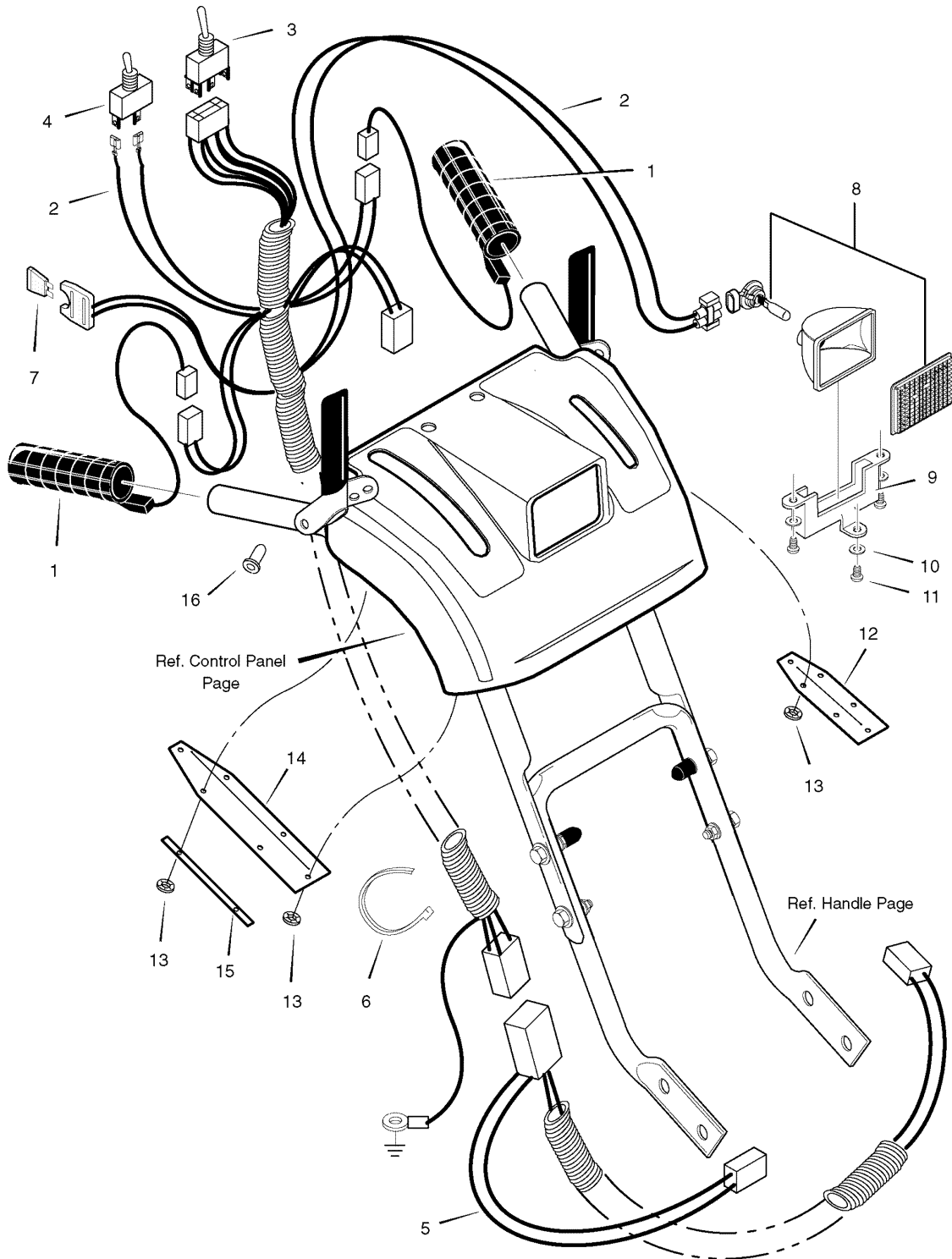
The above parts group applies to the following Mfg. Nos.:

1695369 - 6291570x54

Wiring

0021

NOTE: Unless noted otherwise, use the standard hardware torque specification chart.



The above parts group applies to the following Mfg. Nos.:
1695369 - 6291570x54

Wiring

REF NO	PART NO.	DESCRIPTION
1	1501352MA	GRIP, HEATED
2	1501351MA	WIRE HARNESS, UPPER
3	1501348MA	SWITCH, CHUTE ROTATION
4	1501349MA	SWITCH, HEATED GRIP
5	1501350MA	WIRE HARNESS, LOWER
6	071372MA	TIE, CABLE
7	--	FUSE, 7.5 AMP AUTOMOTIVE
8	762343MA	HEADLIGHT ASSEMBLY *
9	578921MA	BRACKET
10	901736MA	WASHER, FLAT
11	901696MA	SCREW #8 X 0.50
12	1501402MA	COVER
13	028X79MA	NUT, PUSH
14	1501401MA	COVER
15	1501330MA	FRAME
16	760987MA	RIVET, 0.125 X 0.23

Footnotes

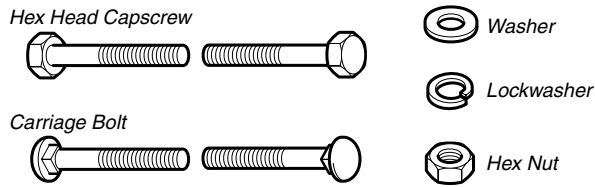
Note* For replacement bulb, use Standard GE or Phillips #894.

The above parts group applies to the following Mfg. Nos.:

1695369 - 6291570x54

Hardware Identification & Torque Specifications

Common Hardware Types

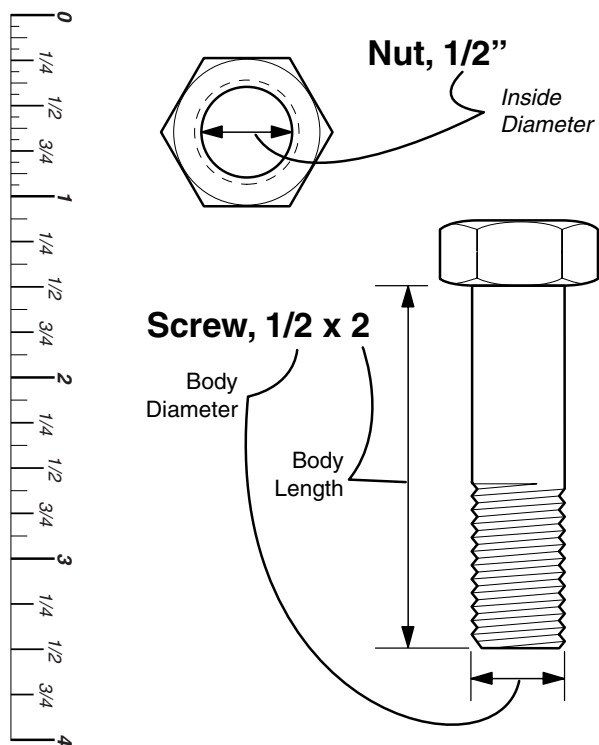


Standard Hardware Sizing

When a washer or nut is identified as 1/2", this is the *Nominal size*, meaning the *inside diameter* is 1/2 inch; if a second number is present it represents the *threads per inch*

When bolt or capscrew is identified as 1/2 - 16 x 2", this means the *Nominal size*, or *body diameter* is 1/2 inch; the second number represents the *threads per inch* (16 in this example, and the final number is the *body length* of the bolt or screw (in this example 2 inches long).

The guides and ruler furnished below are designed to help you select the appropriate hardware and tools.



Torque Specification Chart

FOR STANDARD MACHINE HARDWARE (Tolerance ± 20%)

Hardware Grade	No Marks SAE Grade 2		SAE Grade 5		SAE Grade 8	
	in/lbs ft/lbs	Nm.	in/lbs ft/lbs	Nm.	in/lbs ft/lbs	Nm.
8-32	19	2.1	30	3.4	41	4.6
8-36	20	2.3	31	3.5	43	4.9
10-24	27	3.1	43	4.9	60	6.8
10-32	31	3.5	49	5.5	68	7.7
1/4-20	66	7.6	8	10.9	12	16.3
1/4-28	76	8.6	10	13.6	14	19.0
5/16-18	11	15.0	17	23.1	25	34.0
5/16-24	12	16.3	19	25.8	27	34.0
3/8-16	20	27.2	30	40.8	45	61.2
3/8-24	23	31.3	35	47.6	50	68.0
7/16-14	30	40.8	50	68.0	70	95.2
7/16-20	35	47.6	55	74.8	80	108.8
1/2-13	50	68.0	75	102.0	110	149.6
1/2-20	55	74.8	90	122.4	120	163.2
9/16-12	65	88.4	110	149.6	150	204.0
9/16-18	75	102.0	120	163.2	170	231.2
5/8-11	90	122.4	150	204.0	220	299.2
5/8-18	100	136	180	244.8	240	326.4
3/4-10	160	217.6	260	353.6	386	525.0
3/4-16	180	244.8	300	408.0	420	571.2
7/8-9	140	190.4	400	544.0	600	816.0
7/8-14	155	210.8	440	598.4	660	897.6
1-8	220	299.2	580	788.8	900	1,244.0
1-12	240	326.4	640	870.4	1,000	1,360.0

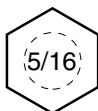
NOTES

- These torque values are to be used for all hardware excluding: locknuts, self-tapping screws, thread forming screws, sheet metal screws and socket head setscrews.
- Recommended seating torque values for locknuts:
 - for prevailing torque locknuts - use 65% of grade 5 torques.
 - for flange whizlock nuts and screws - use 135% of grade 5 torques.
- Unless otherwise noted on assembly drawings, all torque values must meet this specification.

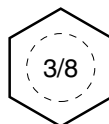
Wrench & Fastener Size Guide



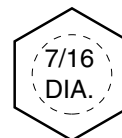
1/4" Bolt or Nut
Wrench—7/16"



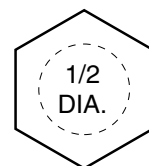
5/16" Bolt or Nut
Wrench—1/2"



3/8" Bolt or Nut
Wrench—9/16"



7/16" Bolt or Nut
Wrench (Bolt)—5/8"
Wrench (Nut)—11/16"



1/2" Bolt or Nut
Wrench—3/4"

