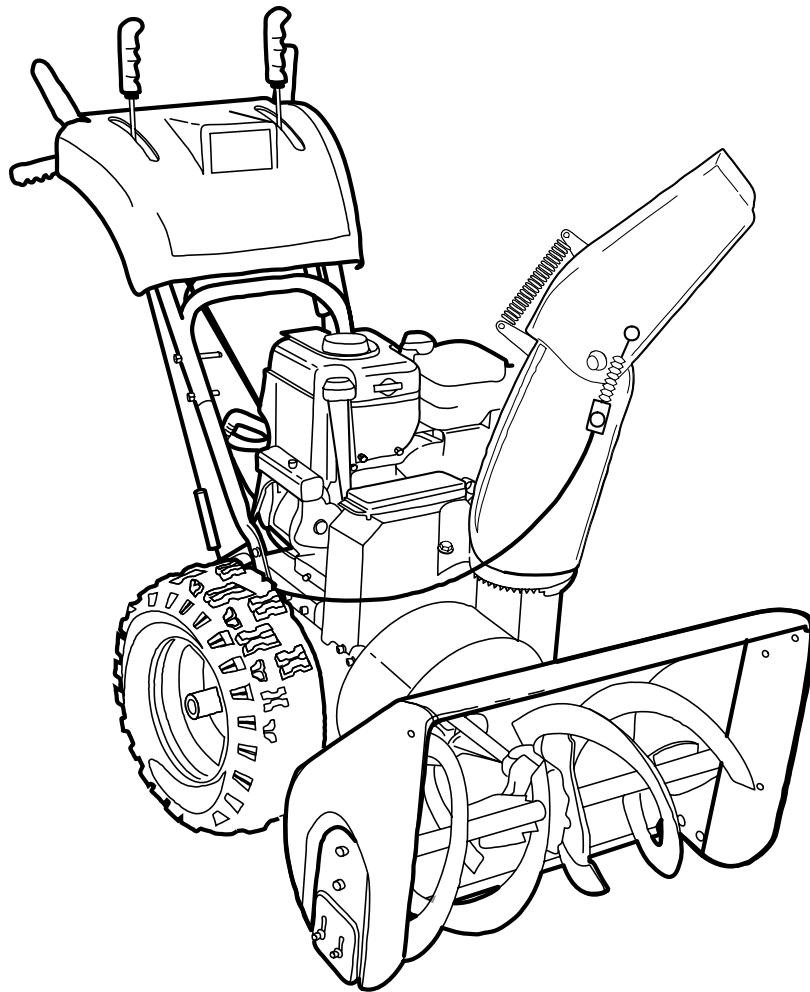


PARTS LIST

**MODEL
1695368**

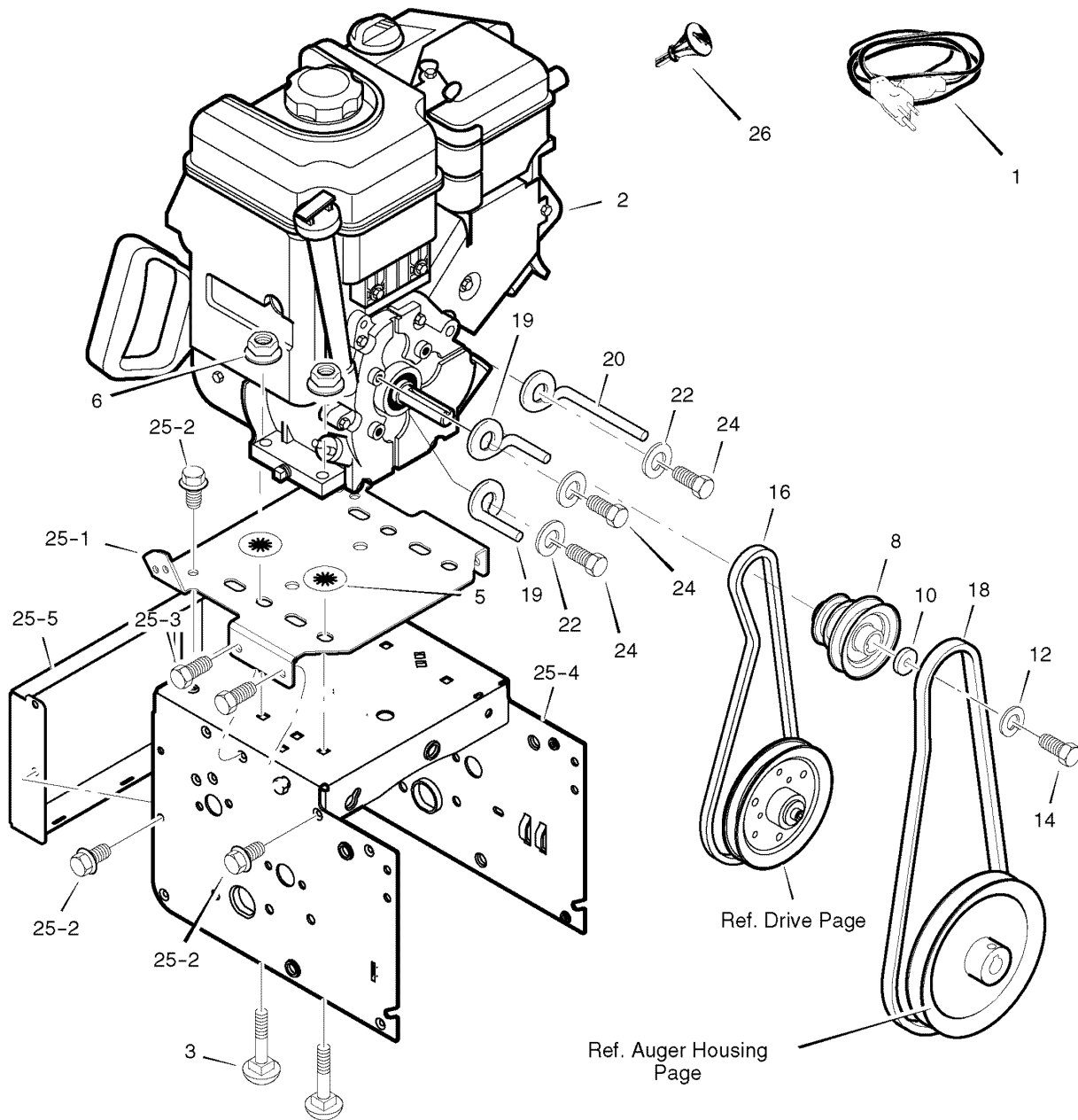


PRODUCT COMPONENTS	PAGES
Engine	4
Frame	6
Hydro Drive	8
Auger Housing	10
Discharge Chute	12
Handle Assembly	14
Chute Rod	16
Control Panel	18
Decals	20
Gear Case	22
Wheels	24
Headlight	26
Remote Control	28
Torque Specification Chart	Inside Back Cover

Engine

0003

NOTE: Unless noted otherwise,
use the standard hardware torque
specification chart.



The above parts group applies to the following Mfg. Nos.:
1695368 - 6291490x54

Engine

REF NO	PART NO.	DESCRIPTION
1	761332MA	CORD, STARTER
2	-----	ENGINE
3	002X97MA	BOLT, CARRIAGE 5/16-18
5	028X76MA	RETAINER, PUSH
6	710026MA	NUT, HEX 5/16-18
8	1501109MA	PULLEY, ENGINE
10	17X170MA	WASHER
12	710247MA	WASHER .38ID
14	001X20MA	SCREW, 3/8-24 X 1.00
16	37X127MA	BELT, HYDRO DRIVE
18	585416MA	BELT, AUGER V 4L
19	1501368MA	GUIDE, BELT
20	1501201MA	GUIDE, BELT
22	71060MA	WASHER, SPTLK 0.31 X 0.58 X 0.08
24	710097MA	SCREW, 5/16-24 x 0.75
25	-----	FRAME ASSEMBLY
25-1	1740574RMA	PLATE, ENGINE MOUNT
25-2	310169MA	SCREW, TAP 1/4-20 X 0.63
25-3	25X020MA	SCREW, TAP 5/16-18 X 0.50
25-4	1740590RMA	FRAME, MOTOR BOX
25-5	1740596RMA	PANEL, BACK - HYDRO
26	695756	KEY, ENGINE
--	1740878	OWNER'S MANUAL

Footnotes

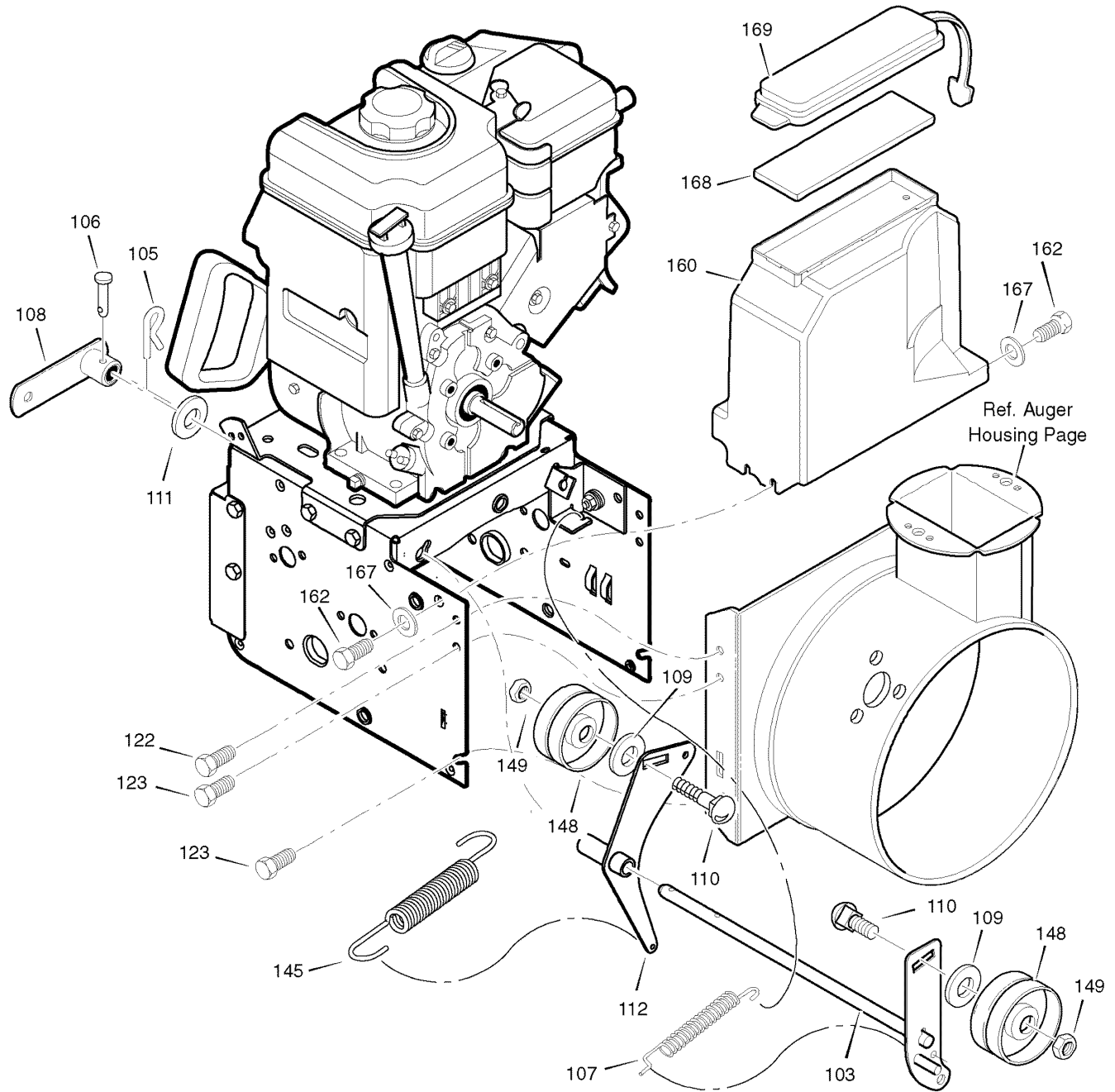
The above parts group applies to the following Mfg. Nos.:

1695368 - 6291490x54

Frame

NOTE: Unless noted otherwise,
use the standard hardware torque
specification chart.

0007



The above parts group applies to the following Mfg. Nos.:
1695368 - 6291490x54

Frame

REF NO	PART NO.	DESCRIPTION
103	1501369YZMA	IDLER ASSEMBLY, AUGER
105	711682MA	PIN, HAIR .38DIA X 1.64LG
106	1735135SM	PIN, CLEVIS 3/16" DIA
107	165X159MA	SPRING, TENSION
108	1733451SM	ASSEMBLY, SPRING ATTACH
109	017X48MA	WASHER
110	585781MA	BOLT, 3/8-16 X 1.25 CARRIAGE
111	711617MA	WASHER, FLAT
112	1501370YZMA	BRACKET, IDLER
122	25X020MA	SCREW, TAP 5/16-18 X 0.50
123	25X021MA	SCREW, TAP 5/16-18 X 0.75
145	165X155MA	SPRING, CLUTCH
148	1502120MA	PULLEY, IDLER
149	590MA	NUT, JAM 3/8-16
160	1741069MA	COVER, BELT
162	26X306MA	SCREW, TAP
167	71067MA	WASHER, FLAT
168	761187MA	PAD, FOAM
169	761187MA	LID, TOOL BOX

Footnotes

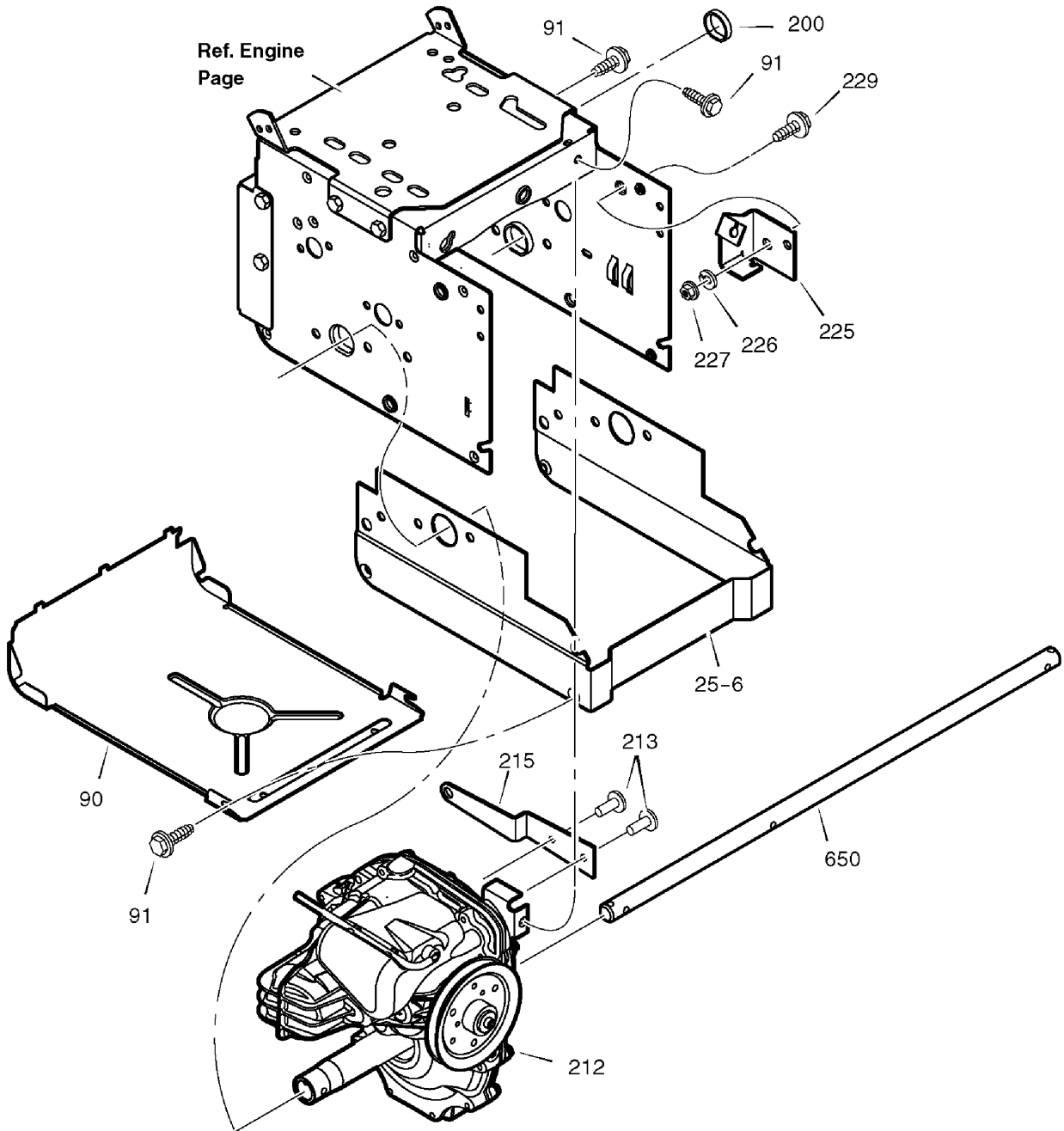
The above parts group applies to the following Mfg. Nos.:

1695368 - 6291490x54

Hydro Drive

0005

NOTE: Unless noted otherwise,
use the standard hardware torque
specification chart.



The above parts group applies to the following Mfg. Nos.:

1695368 - 6291490x54

Hydro Drive

REF NO	PART NO.	DESCRIPTION
90	1740577TMA	COVER, BOTTOM
91	310169MA	SCREW, 1/4-20 X 0.62
25-6	1740597RMA	FRAME, EXTENSION, HYDRO
200	1501496MA	PLUG, HEYCO
212	1501353MA	Transmission, Hydro *
213	021X11MA	RIVET, BLIND
215	1501366MA	ARM, CONTROL EXTENSION
225	1501361MA	BRACKET, DRIVE CABLE
226	71063MA	WASHER
227	71045MA	NUT, HEX JAM - 3/8-16
229	025X19MA	SCREW
650	1501566MA	AXLE, WHEEL

Footnotes

Note* For service on the HYDRO-GEAR Transmission contact your local HYDRO-GEAR authorized dealer

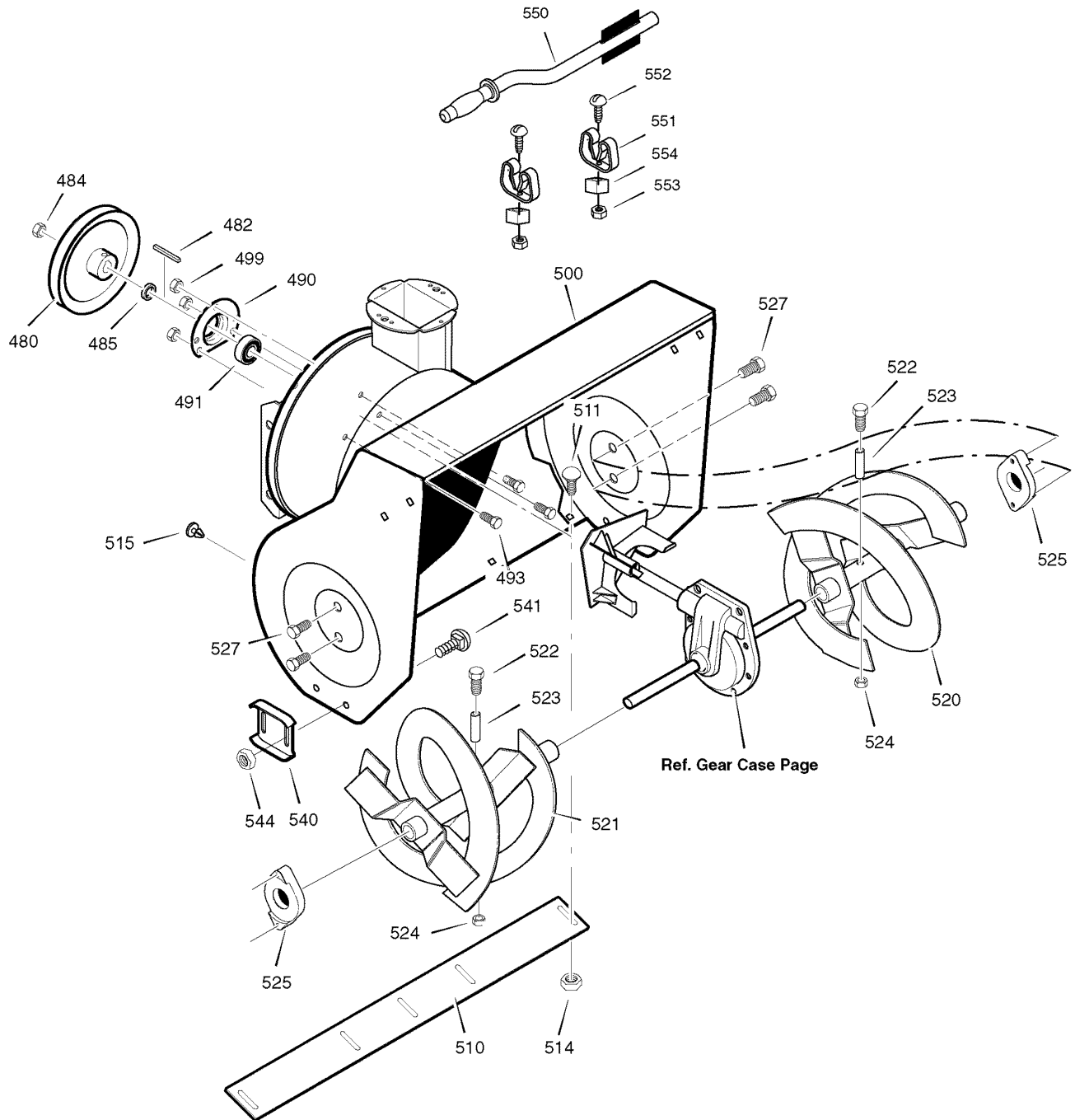
The above parts group applies to the following Mfg. Nos.:

1695368 - 6291490x54

Auger Housing

0009

NOTE: Unless noted otherwise,
use the standard hardware torque
specification chart.



The above parts group applies to the following Mfg. Nos.:
1695368 - 6291490x54

Auger Housing

REF NO	PART NO.	DESCRIPTION
480	583146MA	PULLEY, 4L 8.40 OD
482	2001022MA	KEY, SQUARE 3/16 X 3/4
484	15X112MA	NUT, 1/2-20
485	1501158MA	SPACER, FRICTION PULLEY
490	582957YZMA	RETAINER, BALL BEARING
491	1501389MA	BEARING, BALL
493	001X45MA	BOLT, HEX 5/16-18 X 0.62
499	710026MA	NUT, 5/16-18 HEXWDFLLK
500	1740646RMA	HOUSING, ASSEMBLY
510	1740746TMA	BLADE, SCRAPER
511	340720MA	BOLT, 5/16-18 X 0.75
514	710026MA	NUT, 5/16-18
515	760040MA	PLUG PANEL, BLACK
520	1740740TMA	AUGER, ASSEMBLY, LH
521	1740741TMA	AUGER, ASSEMBLY, RH
522	9524MA	SCREW, 1/4-20 X 1.75
523	3943MA	SPACER, SLEEVE
524	73826MA	NUT, 1/4-20
525	53757MA	BEARING, FLANGE
527	25X021MA	SCREW, 5/16-18 x 0.75
540	1740913TMA	SKID, HEIGHT ADJUST
541	340720MA	BOLT, 5/16-18 X 0.75
550	1501576MA	BRUSH, CLEANOUT
544	710026MA	NUT, 5/16-18
551	1501672MA	CLIP, RETAINER
552	06X115MA	SCREW
553	15X146MA	NUT
554	578063MA	BLOCK
--	1501216MA	KIT, SHEAR BOLT

Footnotes

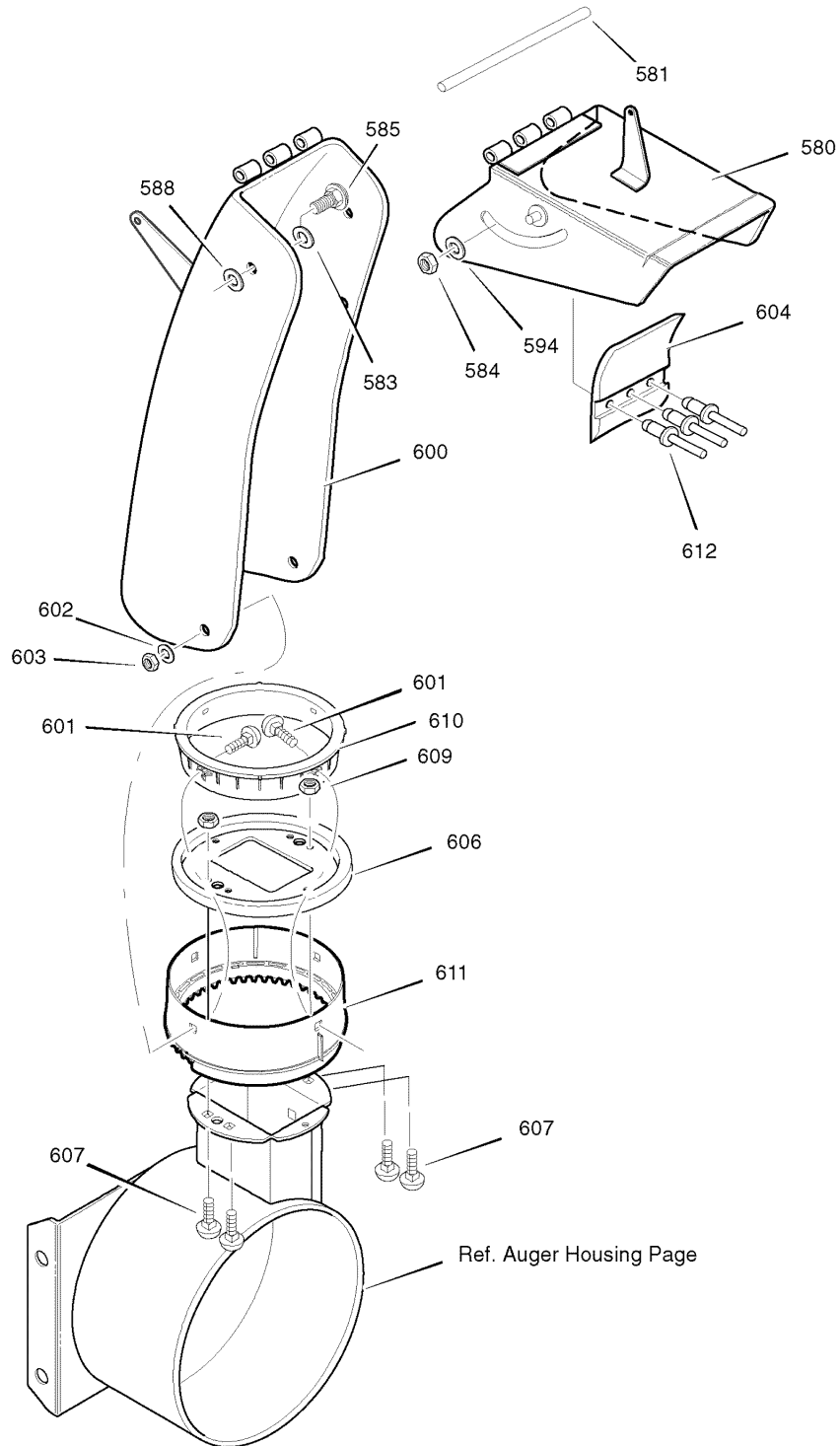
The above parts group applies to the following Mfg. Nos.:

1695368 - 6291490x54

Discharge Chute

NOTE: Unless noted otherwise, use the standard hardware torque specification chart.

0017



The above parts group applies to the following Mfg. Nos.:

1695368 - 6291490x54

Discharge Chute

REF NO	PART NO.	DESCRIPTION
580	1741238TMA	CHUTE, UPPER
581	305216MA	PIN, HINGE
583	12021MA	WASHER, PLASTIC
584	71038MA	NUT, 5/16-18 REGHEX NYLOCK
585	578088MA	SCREW, 5/16-18 x 0.75
588	67111MA	WASHER, PLASTIC
594	71071MA	WASHER, FLAT
600	1741237TMA	CHUTE, LOWER
601	2X100MA	BOLT, 5/16-18 X 1.00
602	71071MA	WASHER, FLAT
603	71038MA	NUT, 5/16-18 HEXNYL
604	760268MA	FLAP, CHUTE
606	1501932YZMA	CHUTE COLLAR
607	02X101MA	SCREW, 1/4-20 X 0.75
609	15X145MA	NUT, 1/4-20 HEX NYLOCK
610	337227MA	RETAINER RING INNER
611	1501282MA	RETAINER RING OUTER
612	760987MA	RIVET

Footnotes

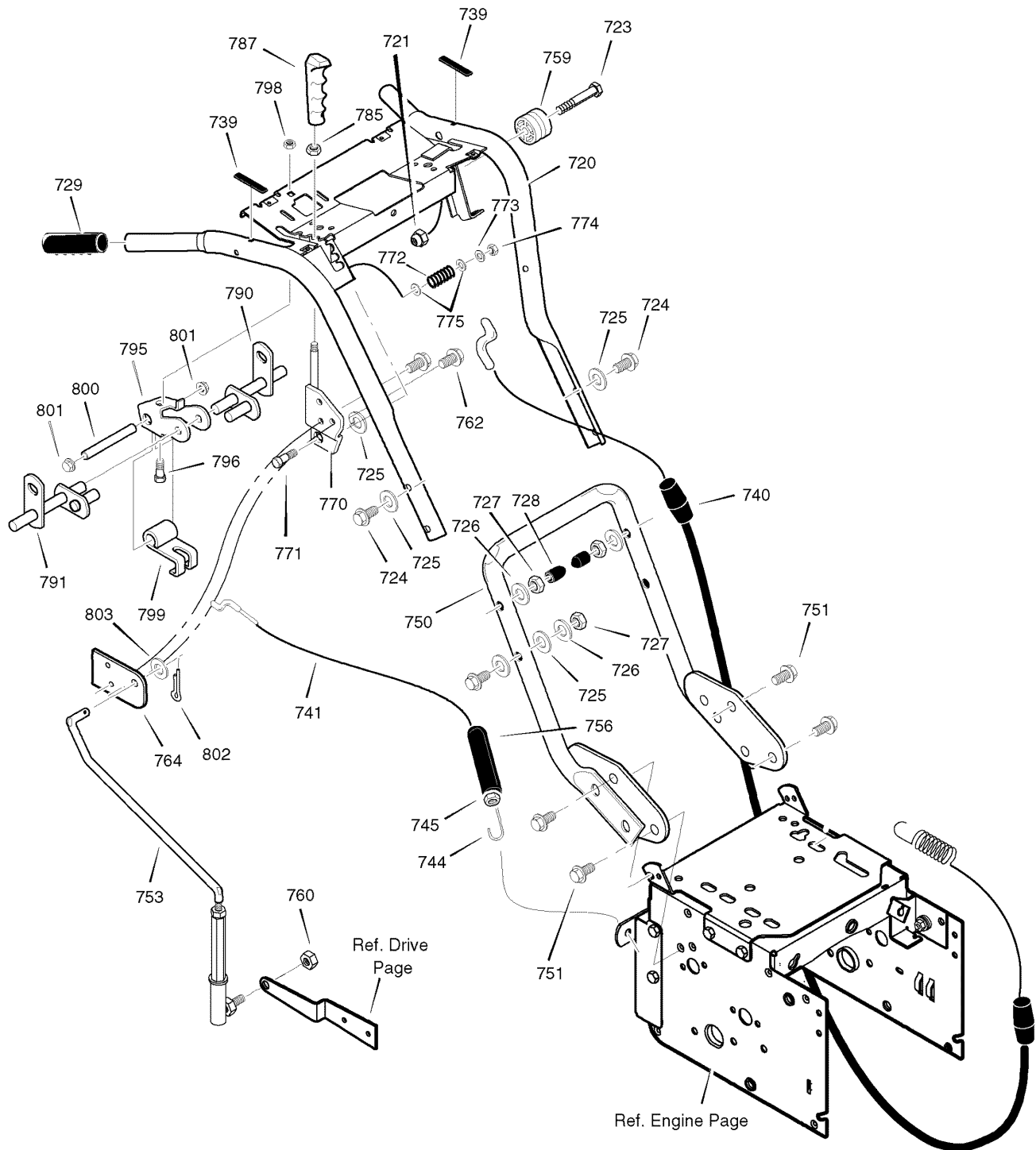
The above parts group applies to the following Mfg. Nos.:

1695368 - 6291490x54

Handle Assembly

0011

NOTE: Unless noted otherwise,
use the standard hardware torque
specification chart.



The above parts group applies to the following Mfg. Nos.:
1695368 - 6291490x54

Handle Assembly

REF NO	PART NO.	DESCRIPTION
720	1740612TMA	HANDLE ASSEMBLY
721	15X116MA	NUT, HEX NYLOCK
723	01X129MA	BOLT
724	7288MA	SCREW
725	71072MA	WASHER
726	71062MA	WASHER
727	71044MA	NUT
728	7289MA	STOP, PLASTIC
729	337399MA	GRIP, HANDLE
739	4049MA	BUMPER
740	1501363MA	CABLE, DRIVE
741	1501451MA	CABLE, AUGER
744	1673MA	SPRING, AUGER CLUTCH
745	15X145MA	NUT, HEX - 1/4-20
750	1740580TMA	HANDLE, LOWER
751	25X021MA	SCREW
753	1501465MA	ASSEMBLY, ROD
756	308146MA	BOOT, SPRING
759	579860MA	SPOOL, CABLE
760	71042MA	NUT, 5/16-24
762	310169MA	SCREW 1/4-20 X 0.63
764	1501367MA	BRACKET, CONTROL
770	1501375YZMA	BRACKET, SHIFT
771	01X157MA	SCREW
772	164X39MA	SPRING
773	71072MA	WASHER
774	71046MA	NUT, HEX, 3/8-16
775	17X217MA	WASHER, DERLIN
785	71045MA	NUT, HEX, 3/8-16
787	304728MA	KNOB, SHIFT
790	1740637MA	ROD, ASSEMBLY LH
791	1740635MA	ROD, ASSEMBLY RH
795	1740652MA	BRACKET, CAM
796	002X53MA	SCREW
798	71038MA	NUT, NYLOCK
799	8417MA	CAM LOCK
800	584673MA	PIN, SPRING PIVOT
801	73664MA	NUT, PUSH ON
802	71081MA	PIN, COTTER
803	71071MA	WASHER

Footnotes

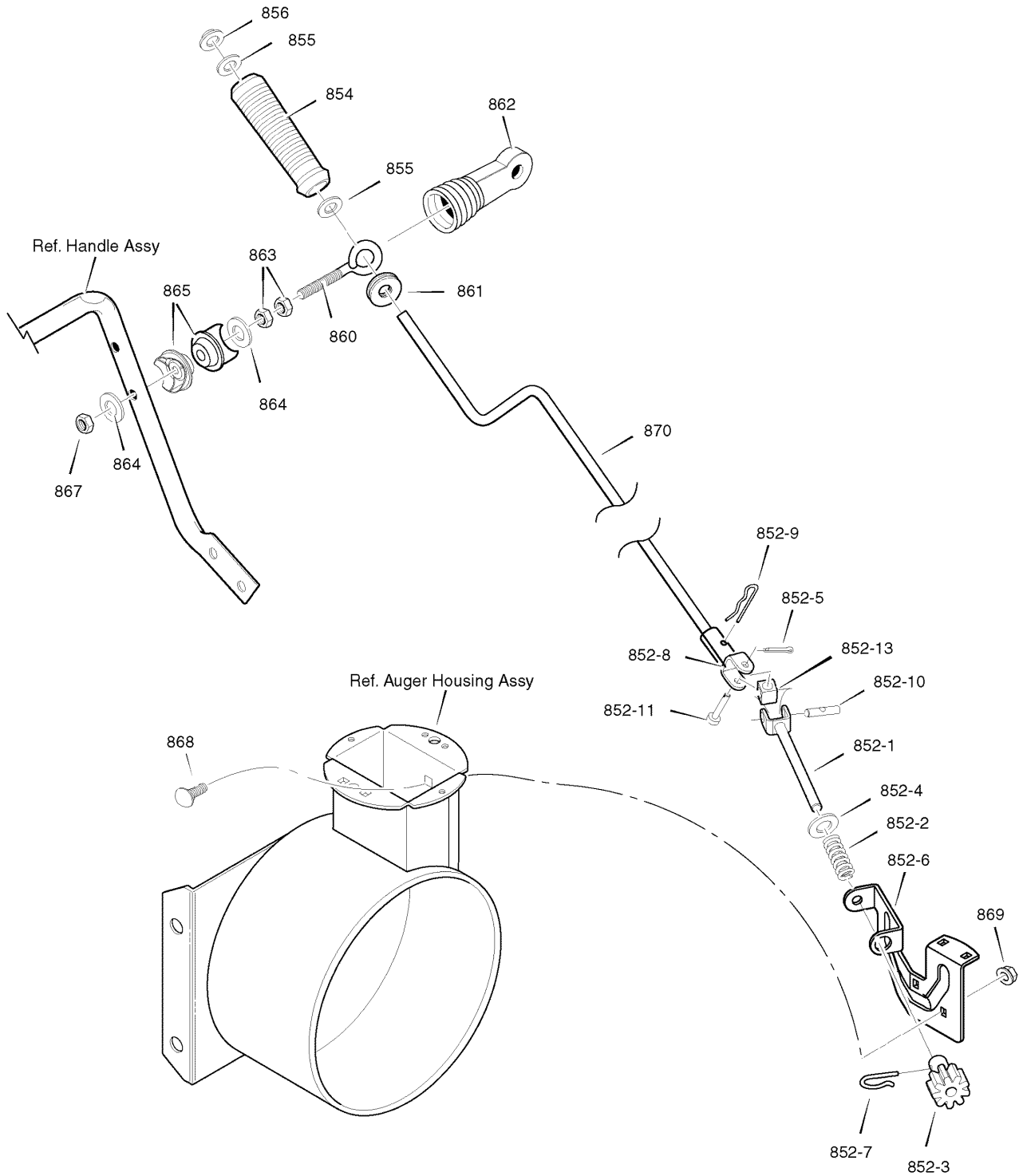
The above parts group applies to the following Mfg. Nos.:

1695368 - 6291490x54

Chute Rod

0019

**NOTE: Unless noted otherwise,
use the standard hardware torque
specification chart.**



The above parts group applies to the following Mfg. Nos.:
1695368 - 6291490x54

Chute Rod

REF NO	PART NO.	DESCRIPTION
852-1	1501533YZMA	ASSEMBLY, YOKE & ROD
852-2	164X37MA	SPRING
852-3	1501067MA	GEAR, CHUTE ROTATION 9T
852-4	017X48MA	WASHER
852-5	579493MA	PIN, COTTER
852-6	1740591TMA	BRACKET, CHUTE GEAR
852-7	1501293MA	PIN, HAIR
852-8	1501075YZMA	ASSEMBLY, YOKE ADAPTER YZ
852-9	711682MA	PIN, HAIR
852-10	578060MA	PIN, UNIVERSAL JOINT
852-11	578309MA	PIN, CLEVIS
852-13	578063MA	HOUSING, UNIVERSAL
854	307399MA	KNOB, SLEEVE
855	309312MA	FLATWASHER
856	73664MA	NUT, PUSH ON 3/8"
860	1501456MA	EYE BOLT 3/8-16 X 6.50
861	148MA	GROMMET, EYE BOLT
862	1501457MA	BOOT, EYE BOLT
863	71045MA	NUT, 3/8-16 HEXJAM
864	71072MA	FLATWASHER 0.406 X 0.81 X 0.066
865	309344MA	ADAPTER, BOOT
867	71046MA	NUT, 3/8-16 HEXNYL
868	02X101MA	BOLT, CARRIAGE 1/4-20 X 0.75
869	15X145MA	NUT, 1/4-20
870	1501074YZMA	CRANK, ASSEMBLY CHUTE

Footnotes

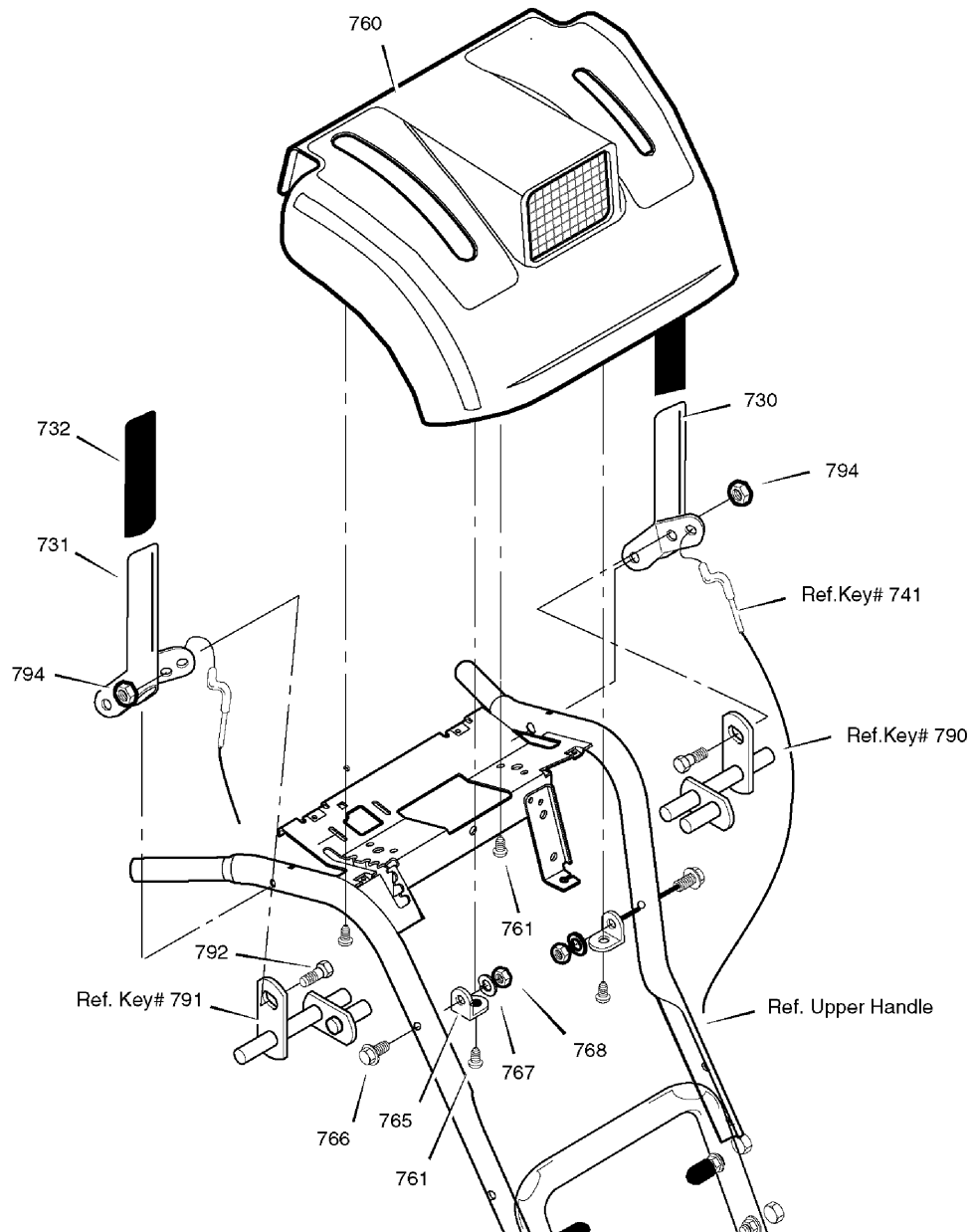
The above parts group applies to the following Mfg. Nos.:

1695368 - 6291490x54

Control Panel

NOTE: Unless noted otherwise,
use the standard hardware torque
specification chart.

0013



The above parts group applies to the following Mfg. Nos.:

1695368 - 6291490x54

Control Panel

REF NO	PART NO.	DESCRIPTION
730	1740603MA	CLUTCH HANDLE LH
731	1740602MA	CLUTCH HANDLE RH
732	337380MA	GRIP, CLUTCH LEVER
760	1501486MA	PANEL, CONTROL
761	316042MA	SCREW
765	578866E701MA	BRACKET, PANEL
766	302900MA	SCREW, 5/16-18 x 1.75
767	71060MA	WASHER
768	15x144MA	NUT, 5/16-18
792	905531MA	BOLT, 1/4-20 X 0.50
794	908913MA	NUT, 1/4-20

Footnotes

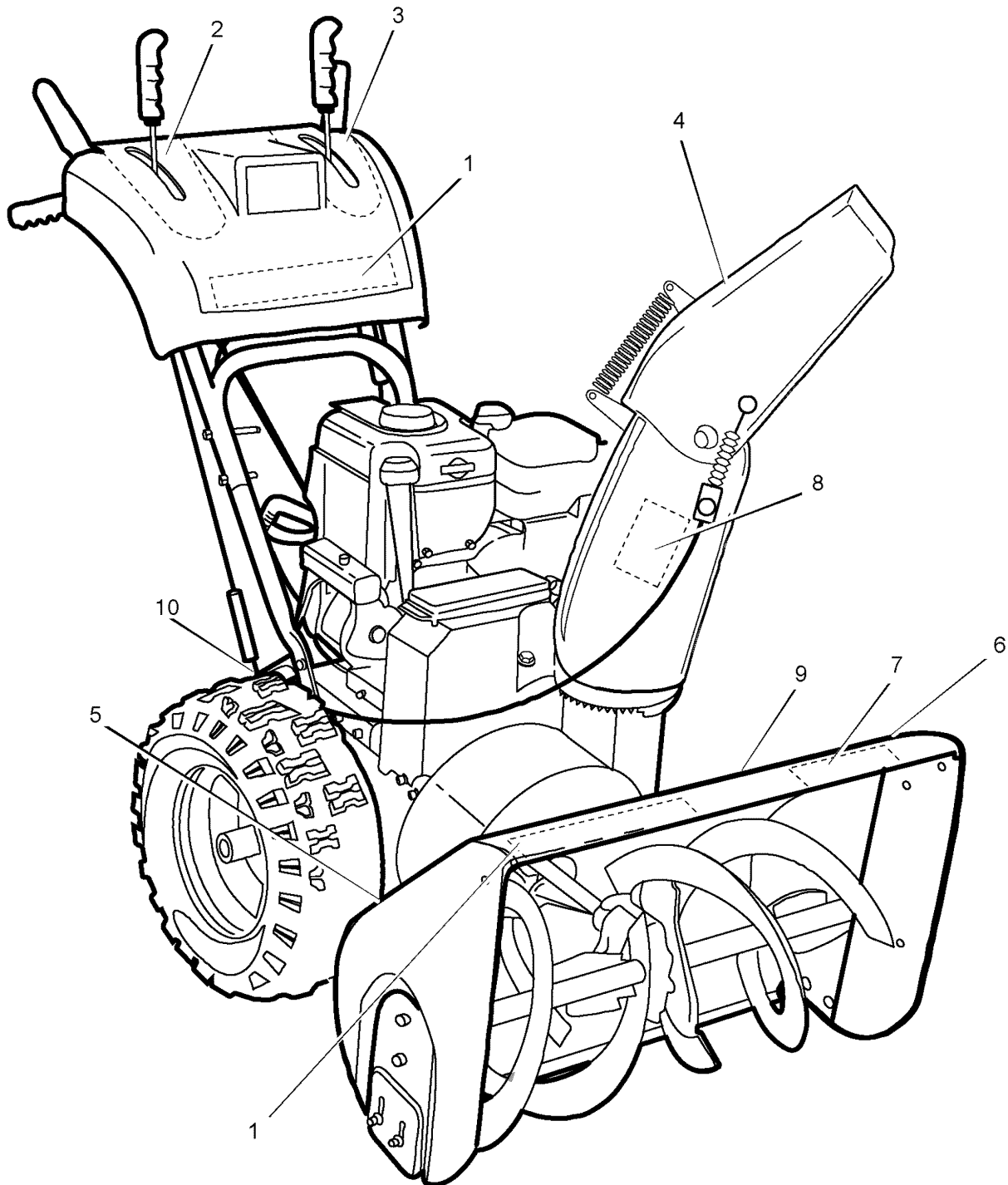
The above parts group applies to the following Mfg. Nos.:

1695368 - 6291490x54

Decals

0027

NOTE: Unless noted otherwise,
use the standard hardware torque
specification chart.



The above parts group applies to the following Mfg. Nos.:
1695368 - 6291490x54

Decals

REF NO	PART NO.	DESCRIPTION
1	1740725MA	DECAL, CANADIANA
2	1740713MA	DECAL, CANADIANA 1350/74 HYDRO
3	48X5631MA	DECAL, REMOTE CHUTE TRACTION
4	586341MA	DECAL, ISO CHUTE
5	586342MA	DECAL, ISO AUGER
6	304427MA	DECAL, FACE HEAD PHONES
7	1740761MA	DECAL, 1350/74 TOP AUGER WHITE
8	48X5577MA	DECAL, HYDRO SIDE OF CHUTE
9	48X5386MA	DECAL, 104db CE
10	-----	DECAL, ID PLATE

Footnotes

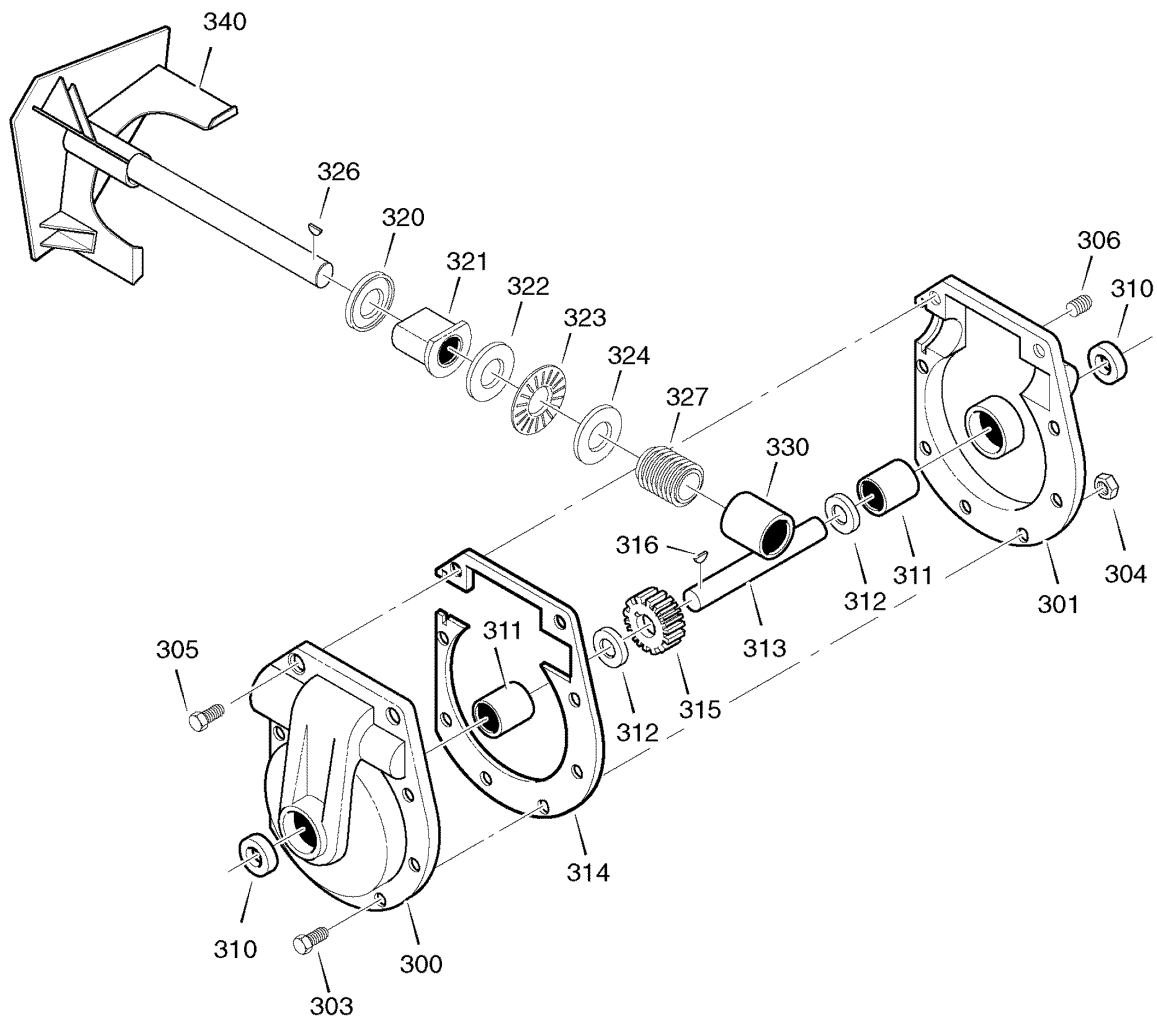
The above parts group applies to the following Mfg. Nos.:

1695368 - 6291490x54

Gear Case

0025

NOTE: Unless noted otherwise,
use the standard hardware torque
specification chart.



The above parts group applies to the following Mfg. Nos.:

1695368 - 6291490x54

Gear Case

REF NO	PART NO.	DESCRIPTION
300	896MA	CASE, GEAR, RH
301	895MA	CASE, GEAR, LH
303	910828MA	SCREW, 5/16-24 x 1.00
304	71100MA	NUT, 5/16-24
305	330434MA	SCREW, 5/16-24 x 1.50
306	53749MA	PLUG, PIPE 0.25-18
310	780151MA	SEAL, OIL
311	53743MA	BEARING, SLEEVE
312	53748MA	WASHER, FLAT
313	760528MA	SHAFT, AUGER OUTPUT
314	897MA	GASKET, GEAR BOX
315	53730MA	WORM GEAR
316	73905MA	KEY, WOODRUFF #91
320	53737MA	RING, QUAD 0.924 ID
321	583126MA	BEARING, FLANGE
322	48275MA	WASHER, FLAT
323	50684MA	BEARING, ROLLER
324	48275MA	WASHER, FLAT
326	50795MA	KEY
327	53732MA	WORM
330	53731MA	BEARING, SLEEVE
340	1740584TMA	IMPELLER
--	333431MA	10oz TUBE LUBRIPLATE

Footnotes

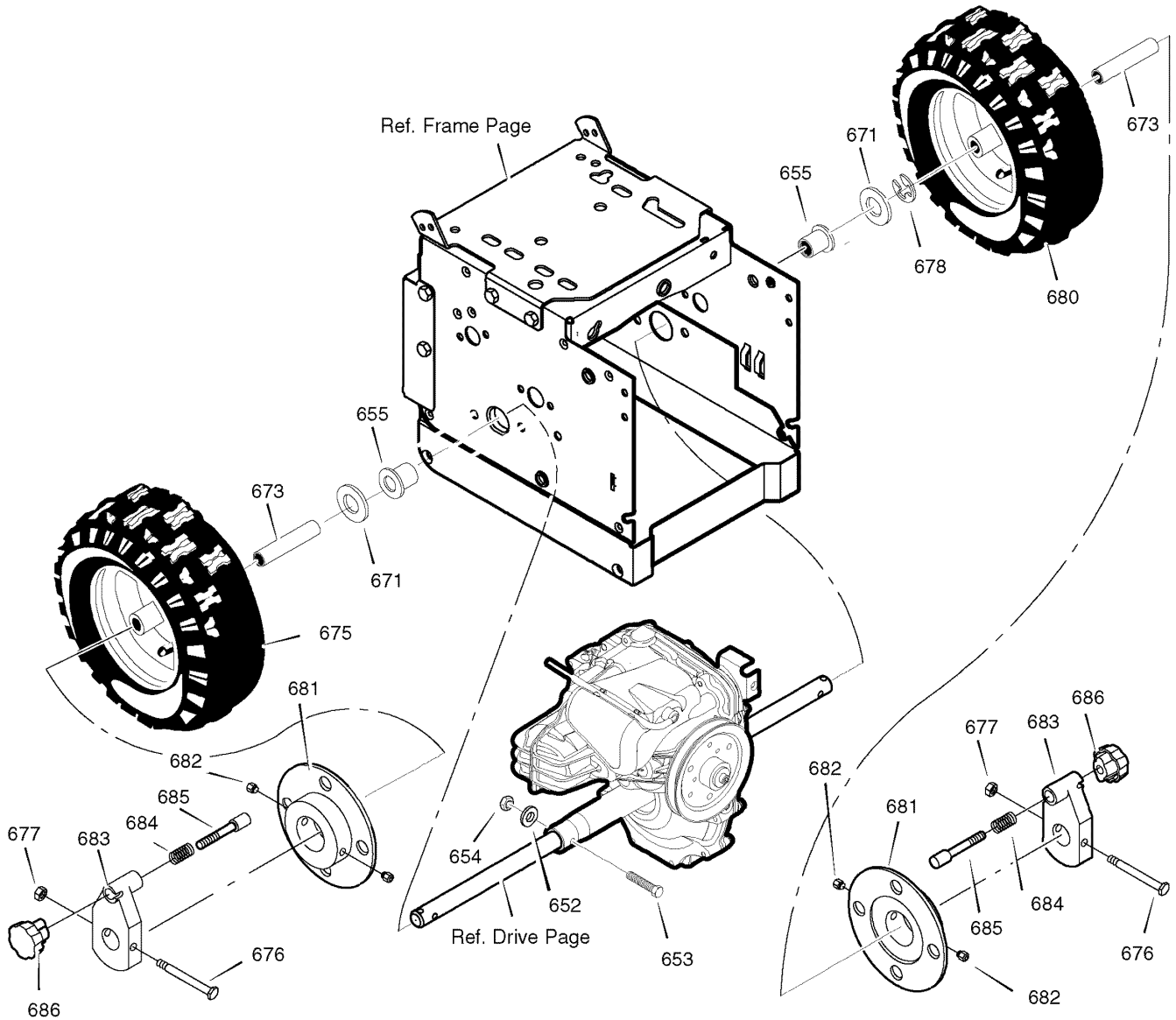
The above parts group applies to the following Mfg. Nos.:

1695368 - 6291490x54

Wheels

0023

NOTE: Unless noted otherwise, use the standard hardware torque specification chart.



The above parts group applies to the following Mfg. Nos.:
1695368 - 6291490x54

Wheels

REF NO	PART NO.	DESCRIPTION
652	3943MA	SPACER
653	01X193MA	SCREW, 1/4-20 X 1.75
654	15X145MA	NUT, 1/4-20
655	1501114MA	BEARING, AXLE
671	017X83MA	FLATWASHER
673	1501138MA	BUSHING, WHEEL
675	1501836MA	TIRE & RIM, RIGHT
676	73839MA	SCREW, 1/4-20 X 2.25
677	15X145MA	NUT, 1/4-20
678	239MA	RING, RET
680	1501837MA	TIRE & RIM, LEFT
681	1501032EMA	DISC, WHEEL
682	2001066MA	SCREW
683	1501857MA	HUB, WHEEL LOCK
684	164X34MA	SPRING (Included with Ref. No. 683)
685	1501856YZMA	PIN, LOCK (Included with Ref. No. 683)
686	1501855MA	KNOB (Included with Ref. No. 683)
687	48X4600MA	DECAL, WHEEL LOCK PICTORIAL (Includes Ref. No. 683.)

Footnotes

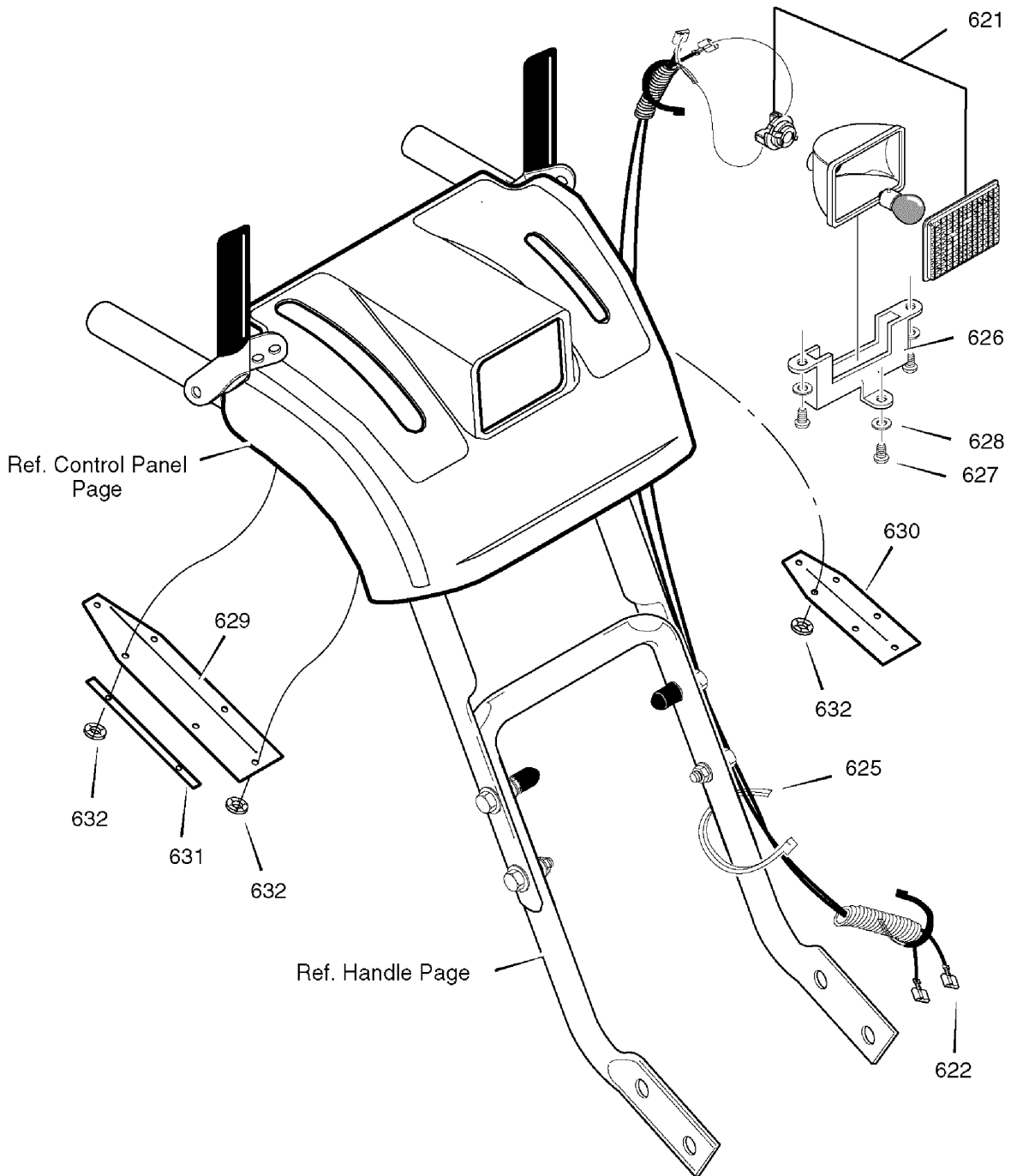
The above parts group applies to the following Mfg. Nos.:

1695368 - 6291490x54

Headlight

0015

NOTE: Unless noted otherwise,
use the standard hardware torque
specification chart.



The above parts group applies to the following Mfg. Nos.:

1695368 - 6291490x54

Headlight

REF NO	PART NO.	DESCRIPTION
621	762343MA	LIGHT, HALOGEN
622	1501455MA	HARNESS, WIRE
625	071372MA	TIE, CABLE
626	578921MA	BRACKET, LIGHT
627	901696MA	SCREW #8 X 0.50
628	901736MA	WASHER, FLAT
629	1501401MA	COVER
630	1501402MA	COVER
631	1501330MA	FRAME
632	028X79MA	NUT, PUSH

Footnotes

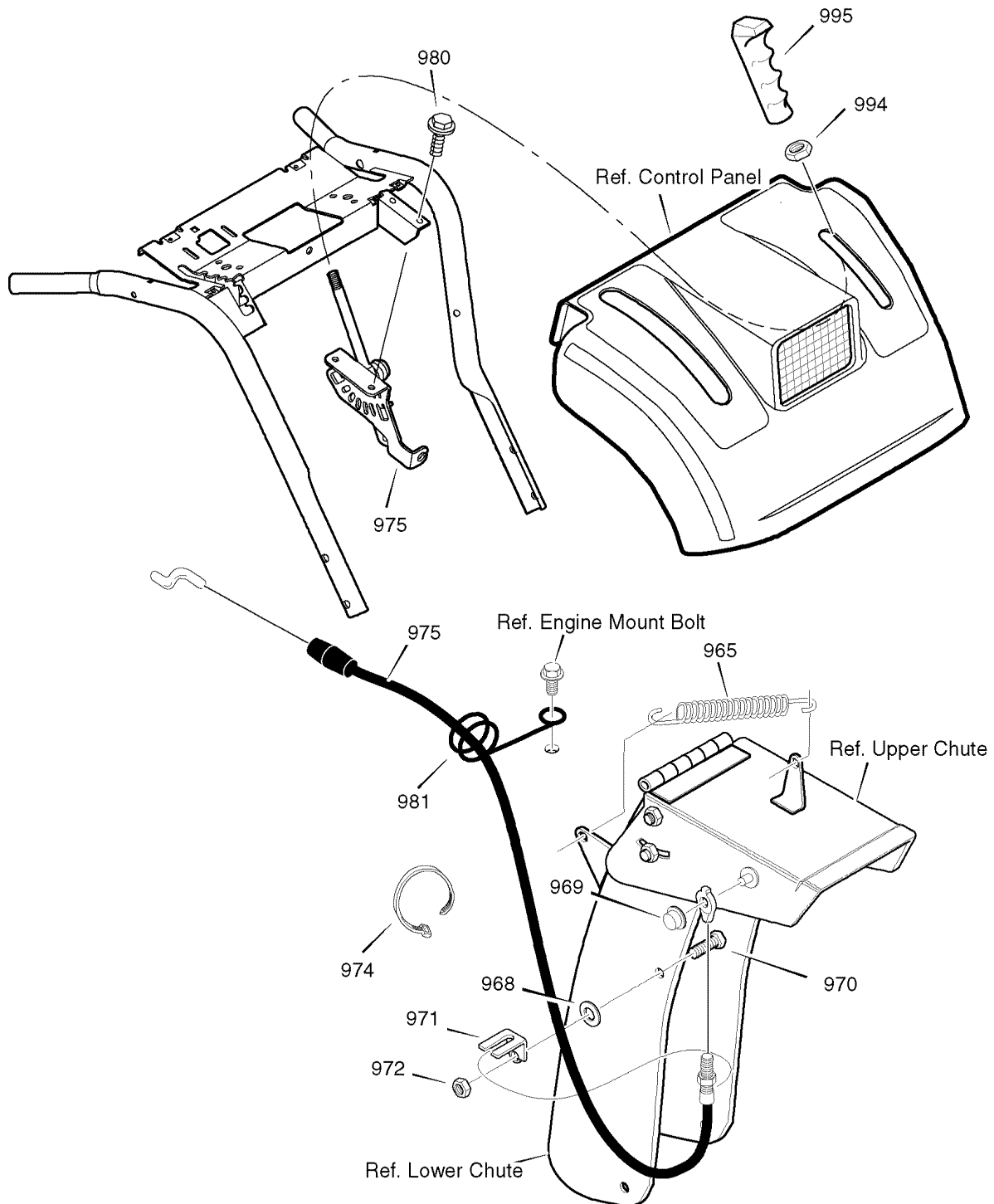
The above parts group applies to the following Mfg. Nos.:

1695368 - 6291490x54

Remote Control

0021

NOTE: Unless noted otherwise,
use the standard hardware torque
specification chart.



The above parts group applies to the following Mfg. Nos.:

1695368 - 6291490x54

Remote Control

REF NO	PART NO.	DESCRIPTION
965	318468MA	TENSION SPRING
968	73787MA	FLATWASHER
969	3535MA	PUSH NUT
970	313676MA	SCREW, 5/16-18 X 0.75
971	306447YZMA	BRACKET, CABLE CHUTE
972	71391MA	NUT, 5/16-18
974	071372MA	TIE, CABLE
975	1501393MA	LEVER & CABLE, CHUTE DEFLECTOR
980	760858MA	SCREW
981	780220MA	WIRE FORM, CHUTE CABLE
994	71045MA	NUT, 3/8-16
995	304728MA	KNOB, SHIFT

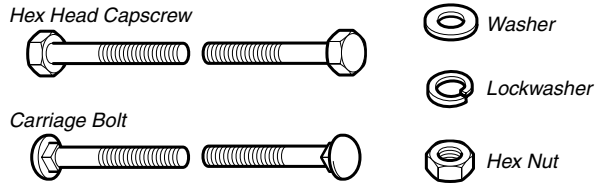
Footnotes

The above parts group applies to the following Mfg. Nos.:

1695368 - 6291490x54

Hardware Identification & Torque Specifications

Common Hardware Types

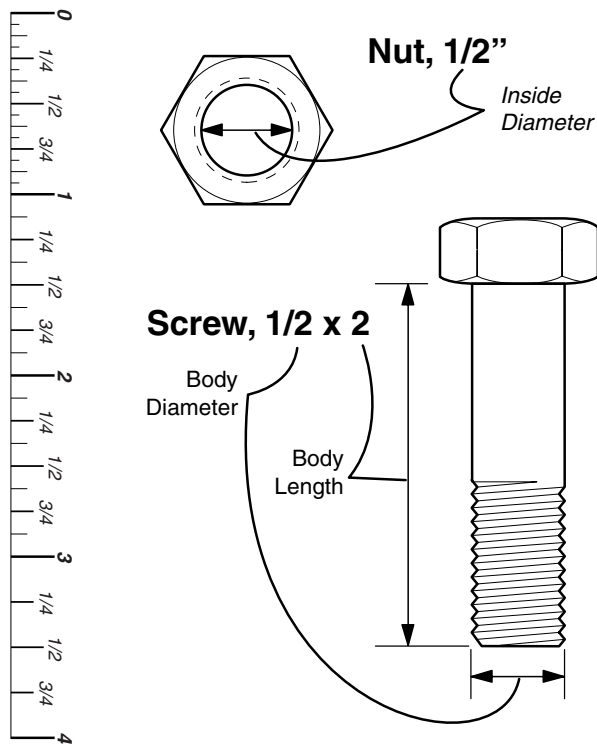


Standard Hardware Sizing

When a washer or nut is identified as 1/2", this is the *Nominal size*, meaning the *inside diameter* is 1/2 inch; if a second number is present it represents the *threads per inch*

When bolt or capscrew is identified as 1/2 - 16 x 2", this means the *Nominal size*, or *body diameter* is 1/2 inch; the second number represents the *threads per inch* (16 in this example, and the final number is the *body length* of the bolt or screw (in this example 2 inches long).

The guides and ruler furnished below are designed to help you select the appropriate hardware and tools.



Torque Specification Chart

FOR STANDARD MACHINE HARDWARE (Tolerance ± 20%)

Hardware Grade	No Marks SAE Grade 2		SAE Grade 5		SAE Grade 8	
	in/lbs ft/lbs	Nm.	in/lbs ft/lbs	Nm.	in/lbs ft/lbs	Nm.
8-32	19	2.1	30	3.4	41	4.6
8-36	20	2.3	31	3.5	43	4.9
10-24	27	3.1	43	4.9	60	6.8
10-32	31	3.5	49	5.5	68	7.7
1/4-20	66	7.6	8	10.9	12	16.3
1/4-28	76	8.6	10	13.6	14	19.0
5/16-18	11	15.0	17	23.1	25	34.0
5/16-24	12	16.3	19	25.8	27	34.0
3/8-16	20	27.2	30	40.8	45	61.2
3/8-24	23	31.3	35	47.6	50	68.0
7/16-14	30	40.8	50	68.0	70	95.2
7/16-20	35	47.6	55	74.8	80	108.8
1/2-13	50	68.0	75	102.0	110	149.6
1/2-20	55	74.8	90	122.4	120	163.2
9/16-12	65	88.4	110	149.6	150	204.0
9/16-18	75	102.0	120	163.2	170	231.2
5/8-11	90	122.4	150	204.0	220	299.2
5/8-18	100	136	180	244.8	240	326.4
3/4-10	160	217.6	260	353.6	386	525.0
3/4-16	180	244.8	300	408.0	420	571.2
7/8-9	140	190.4	400	544.0	600	816.0
7/8-14	155	210.8	440	598.4	660	897.6
1-8	220	299.2	580	788.8	900	1,244.0
1-12	240	326.4	640	870.4	1,000	1,360.0

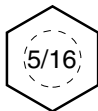
NOTES

- These torque values are to be used for all hardware excluding: locknuts, self-tapping screws, thread forming screws, sheet metal screws and socket head setscrews.
- Recommended seating torque values for locknuts:
 - for prevailing torque locknuts - use 65% of grade 5 torques.
 - for flange whizlock nuts and screws - use 135% of grade 5 torques.
- Unless otherwise noted on assembly drawings, all torque values must meet this specification.

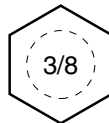
Wrench & Fastener Size Guide



1/4" Bolt or Nut
Wrench—7/16"



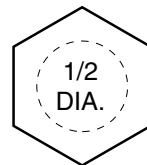
5/16" Bolt or Nut
Wrench—1/2"



3/8" Bolt or Nut
Wrench—9/16"



7/16" Bolt or Nut
Wrench (Bolt)—5/8"
Wrench (Nut)—11/16"



1/2" Bolt or Nut
Wrench—3/4"

