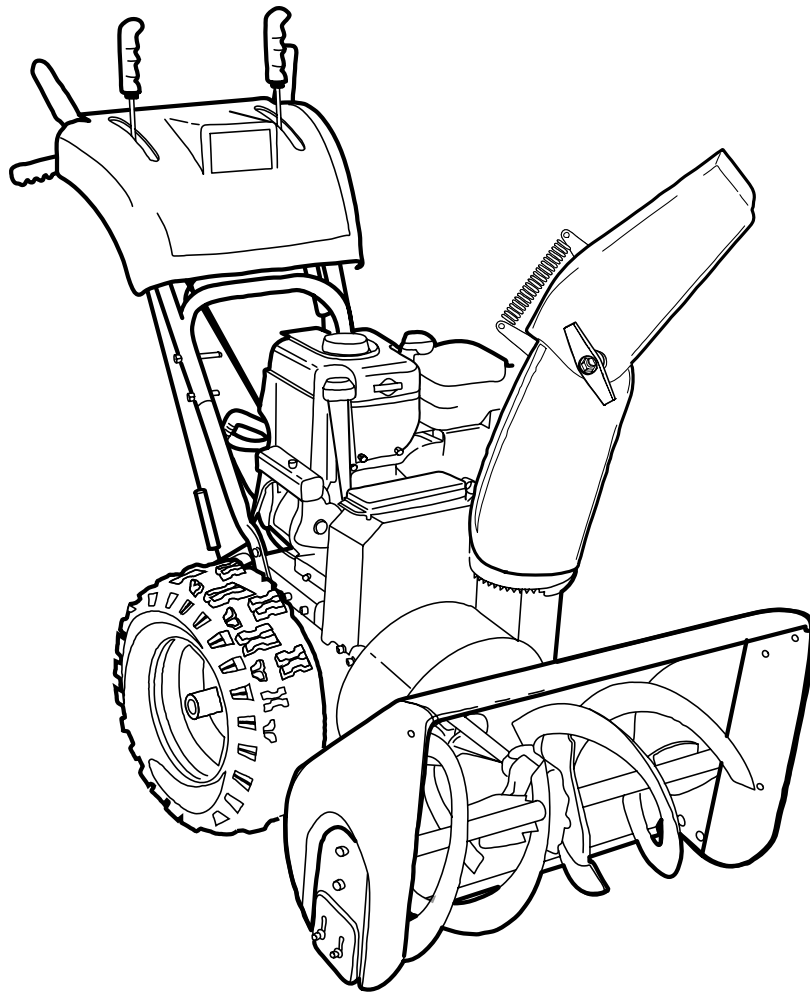


PARTS LIST

MODEL
1695363

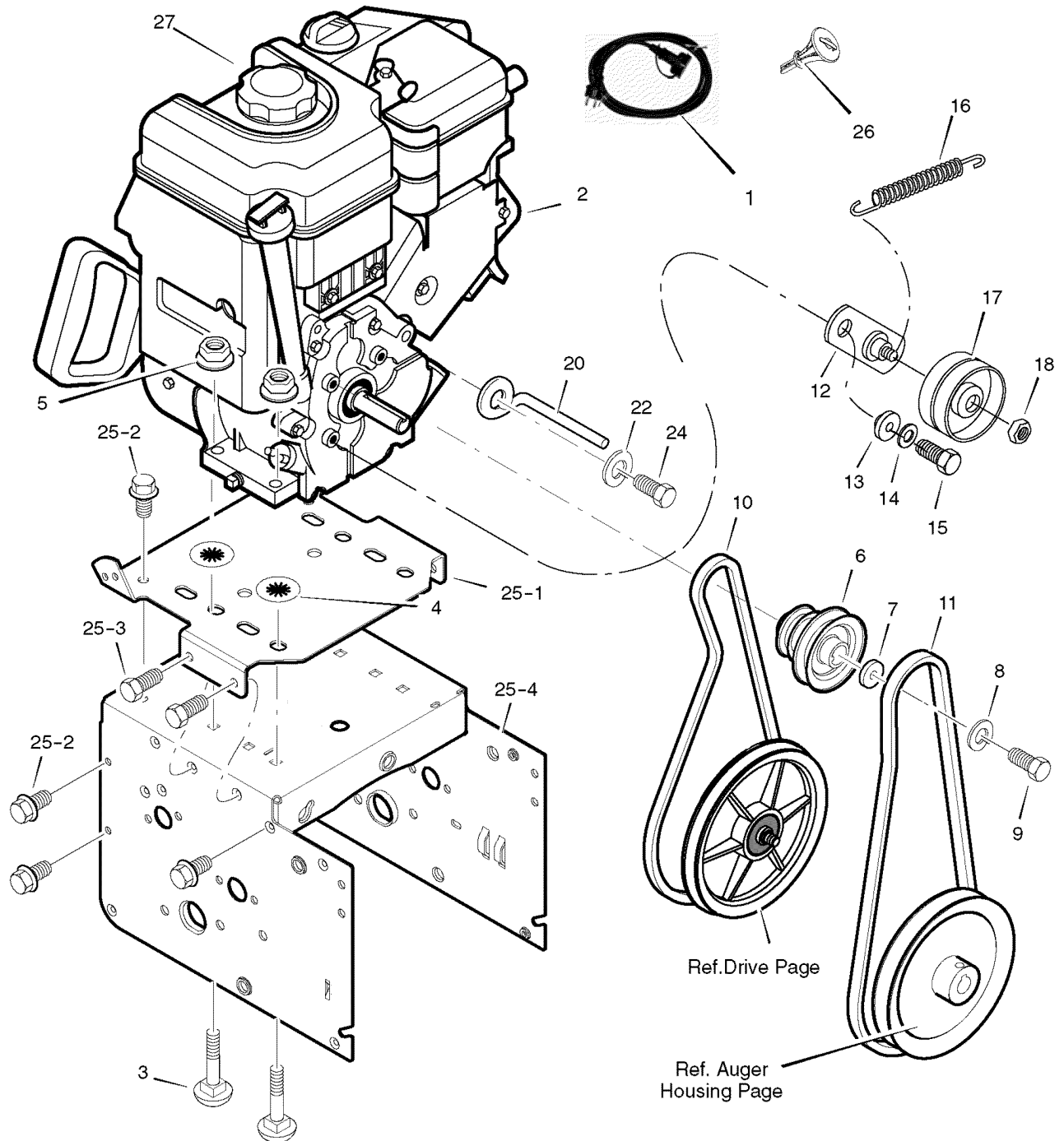


PRODUCT COMPONENTS	PAGES
Engine	4
Frame	6
Drive	8
Auger Housing	10
Discharge Chute	12
Handle Assembly	14
Chute Rod	18
Control Panel	20
Decals	22
Gear Case	24
Wheels	26
Headlight	28
Torque Specification Chart	Inside Back Cover

Engine

NOTE: Unless noted otherwise,
use the standard hardware torque
specification chart.

0003



The above parts group applies to the following Mfg. Nos.:
1695363 - 6271200x54

Engine

REF NO	PART NO.	DESCRIPTION
1	761332MA	CORD, STARTER
2	-----	ENGINE
3	002X97MA	BOLT, CARRIAGE
4	028X76MA	RETAINER, PUSH
5	710026MA	NUT
6	1501109MA	PULLEY, ENGINE
7	17X146MA	WASHER
8	71060MA	WASHER
9	910828MA	BOLT, HEX 5/16-24 X 1.00 YZ
10	579932MA	BELT, DRIVE V 3L
11	585416MA	BELT, AUGER V 4L
12	1501112YZMA	BRACKET ASSEMBLY, IDLER
13	1501065MA	BUSHING, IDLER BRACKET
14	71060MA	WASHER, SPLIT
15	910828MA	BOLT, HEX 5/16-24 X 1.00 YZ
16	53704MA	SPRING, IDLER TRACTION DRIVE
17	1502120MA	PULLEY, IDLER
18	590MA	NUT, JAM 3/8-16
20	1501201MA	GUIDE, ROD BELT
22	71060MA	WASHER
24	710097MA	SCREW
25	-----	FRAME ASSEMBLY
25-1	1740574RMA	PLATE, ENGINE MOUNT
25-2	310169MA	SCREW
25-3	25X020MA	SCREW
25-4	1740572RMA	FRAME, MOTOR BOX
26	695756	KEY, BRIGGS ENGINE
27	792647	GAS CAP
--	1740874	OWNER'S MANUAL

Footnotes

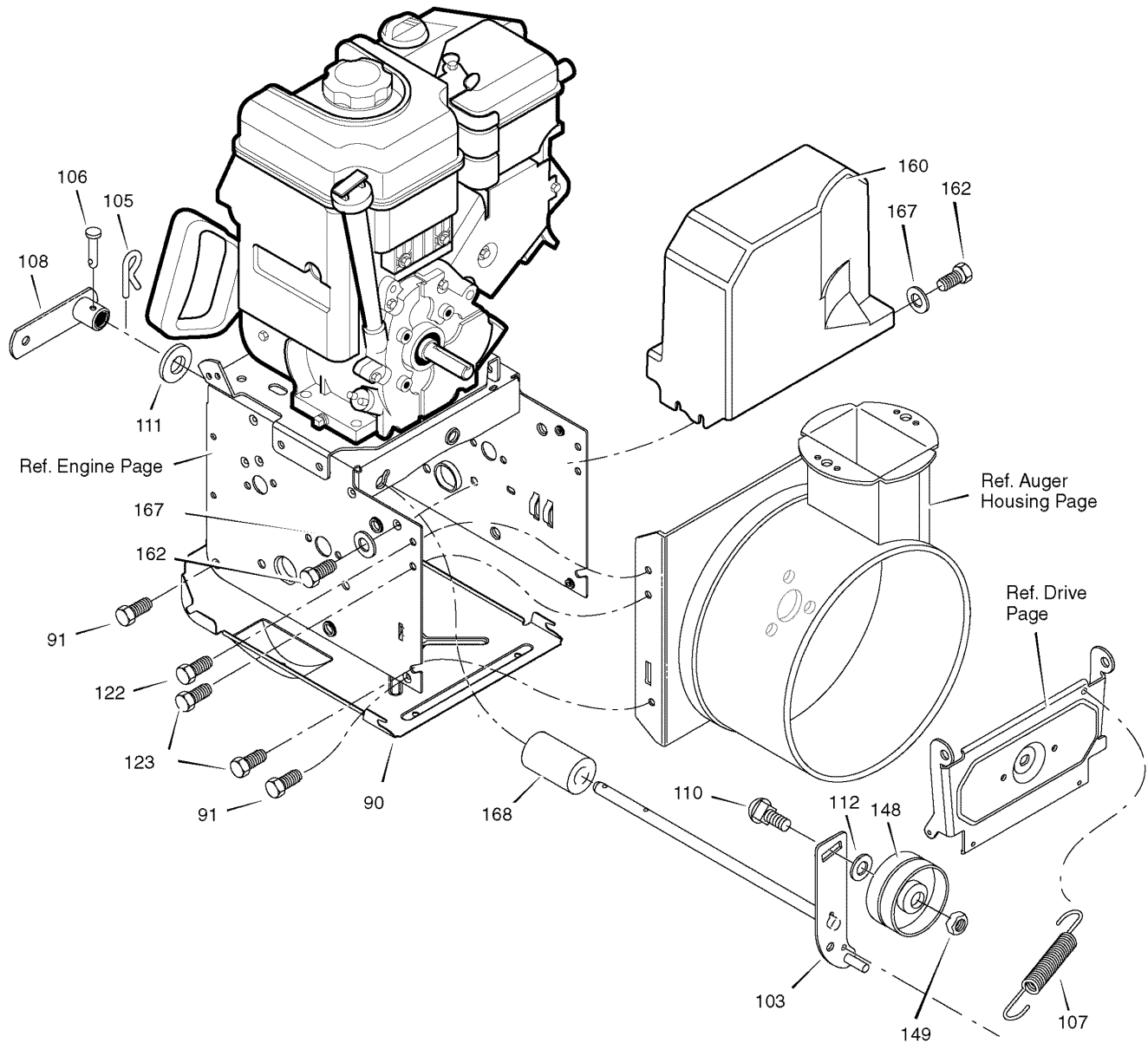
The above parts group applies to the following Mfg. Nos.:

1695363 - 6271200x54

Frame

0007

**NOTE: Unless noted otherwise,
use the standard hardware torque
specification chart.**



The above parts group applies to the following Mfg. Nos.:
1695363 - 6271200x54

Frame

REF NO	PART NO.	DESCRIPTION
90	1740906TMA	COVER, BOTTOM
91	310169MA	SCREW, 1/4-20 X 0.63
103	1501369YZMA	IDLER ASSEMBLY, AUGER
105	711682MA	PIN, HAIR .38DIA X 1.64LG
106	1735135SM	PIN, CLEVIS 3/16" DIAMETER
107	165X159MA	SPRING, TENSION
108	1733451SM	ASSEMBLY, SPRING ATTACH
110	585781MA	BOLT, 3/8-16 X 1.25 CARRIAGE
111	711617MA	WASHER, FLAT
112	017X48MA	WASHER
122	25X021MA	SCREW, TAP 5/16-18 X 0.75
123	25X020MA	SCREW, TAP 5/16-18 X 0.50
148	1502120MA	PULLEY, IDLER
149	590MA	NUT, JAM 3/8-16
160	1502169MA	COVER, BELT
162	26X306MA	SCREW, TAP
167	71067MA	WASHER, FLAT
168	1502041MA	SPACER, AUGER BRACKET

Footnotes

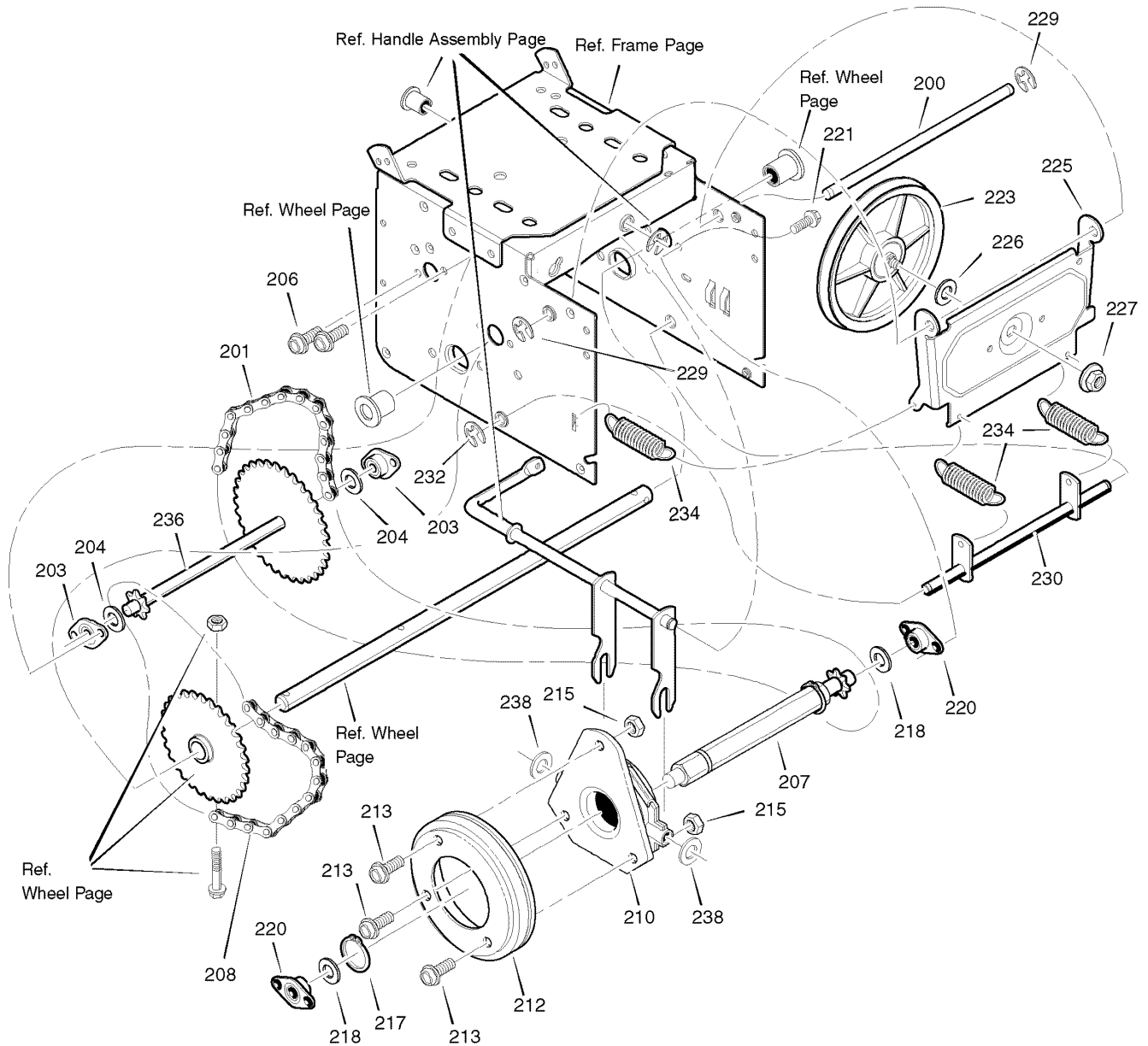
The above parts group applies to the following Mfg. Nos.:

1695363 - 6271200x54

Drive

**NOTE: Unless noted otherwise,
use the standard hardware torque
specification chart.**

0005



The above parts group applies to the following Mfg. Nos.:
1695363 - 6271200x54

Drive

REF NO	PART NO.	DESCRIPTION
200	1501092YZMA	LF AXLE, SWING PLATE YZ
201	579851MA	CHAIN, ROLLER #420 X 19.00
203	334163MA	BEARING AND RETAINER, ASSEMBLY
204	579858MA	WASHER
206	25X020MA	SCREW, TAP 5/16-18 X 1/2
207	1501236MA	HEX SHAFT ASSEMBLY
208	579868MA	CHAIN, ROLLER #420 X 18.00 LG
210	337029MA	BEARING, TRUNION CLUTCH R
212	1501435MA	WHEEL, FRICTION DISC
213	001X38MA	BOLT
215	303008MA	NUT, KEPS HEX 1/4-20
217	579859MA	RING, RETEXT
218	579858MA	WASHER
220	334163MA	BEARING AND RETAINER, ASSEMBLY
221	25X020MA	SCREW, TAP 5/16-18 x 1/2
223	1501115MA	FRICTION PULLY
225	1501057YZMA	LF PLATE, SWINGING YZ
226	1501158MA	SPACER, FRICTION PULLEY
227	15X114MA	NUT, FLANGE LOCK 3/8-24
229	11X30MA	RETAINER, RING
230	1502105YZMA	LF ASSEMBLY, SPRING LINK YZ
232	11X30MA	RETAINER, RING
234	165X112MA	SPRING, EXTENSION
236	1501237MA	SPROCKET, WELD, INTERMED 33T/7
238	71074MA	WASHER, FLAT

Footnotes

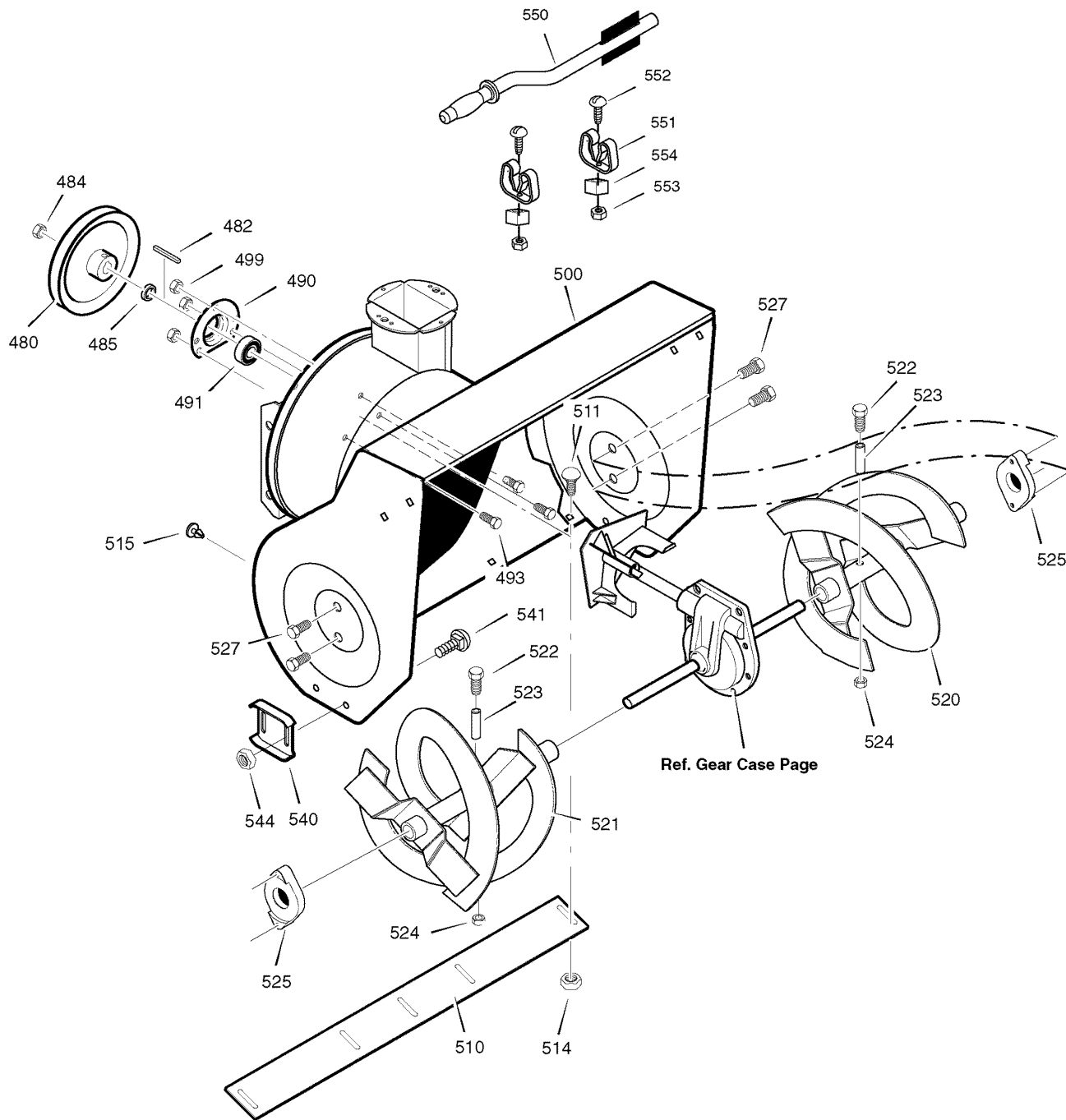
The above parts group applies to the following Mfg. Nos.:

1695363 - 6271200x54

Auger Housing

0009

NOTE: Unless noted otherwise,
use the standard hardware torque
specification chart.



The above parts group applies to the following Mfg. Nos.:
1695363 - 6271200x54

Auger Housing

REF NO	PART NO.	DESCRIPTION
480	583146MA	PULLEY, 4L 8.40 OD
482	2001022MA	KEY, SQUARE 3/16 X 3/4
484	15X112MA	NUT, 1/2-20
485	1501158MA	SPACER, FRICTION PULLEY
490	582957YZMA	RETAINER, BALL BEARING
491	1501389MA	BEARING, BALL
493	001X45MA	BOLT, HEX 5/16-18 X 0.62
499	710026MA	NUT, 5/16-18 HEXWDFLLK
500	1740647RMA	HOUSING, ASSEMBLY
510	1740745TMA	BLADE, SCRAPER
511	340720MA	BOLT, 5/16-18 X 0.75
514	710026MA	NUT, 5/16-18
515	760040MA	PLUG PANEL, BLACK
520	760603E717MA	AUGER, ASSEMBLY, LH
521	760604E717MA	AUGER, ASSEMBLY, RH
522	9524MA	BOLT, SHEAR
523	3943MA	SPACER
524	73826MA	NUT
525	53757MA	BEARING, FLANGE
527	25X021MA	SCREW, 5/16-18 X 0.75
540	1740913TMA	SKID, HEIGHT ADJUST
541	7090731SM	BOLT, 5/16-18 X 0.50
544	710026MA	NUT, 5/16-18
550	1501576MA	BRUSH, CLEANOUT
551	1501672MA	CLIP, RETAINER
552	06X115MA	SCREW
553	15X146MA	NUT
554	578063MA	BLOCK
--	1501216MA	KIT, SHEAR BOLT

Footnotes

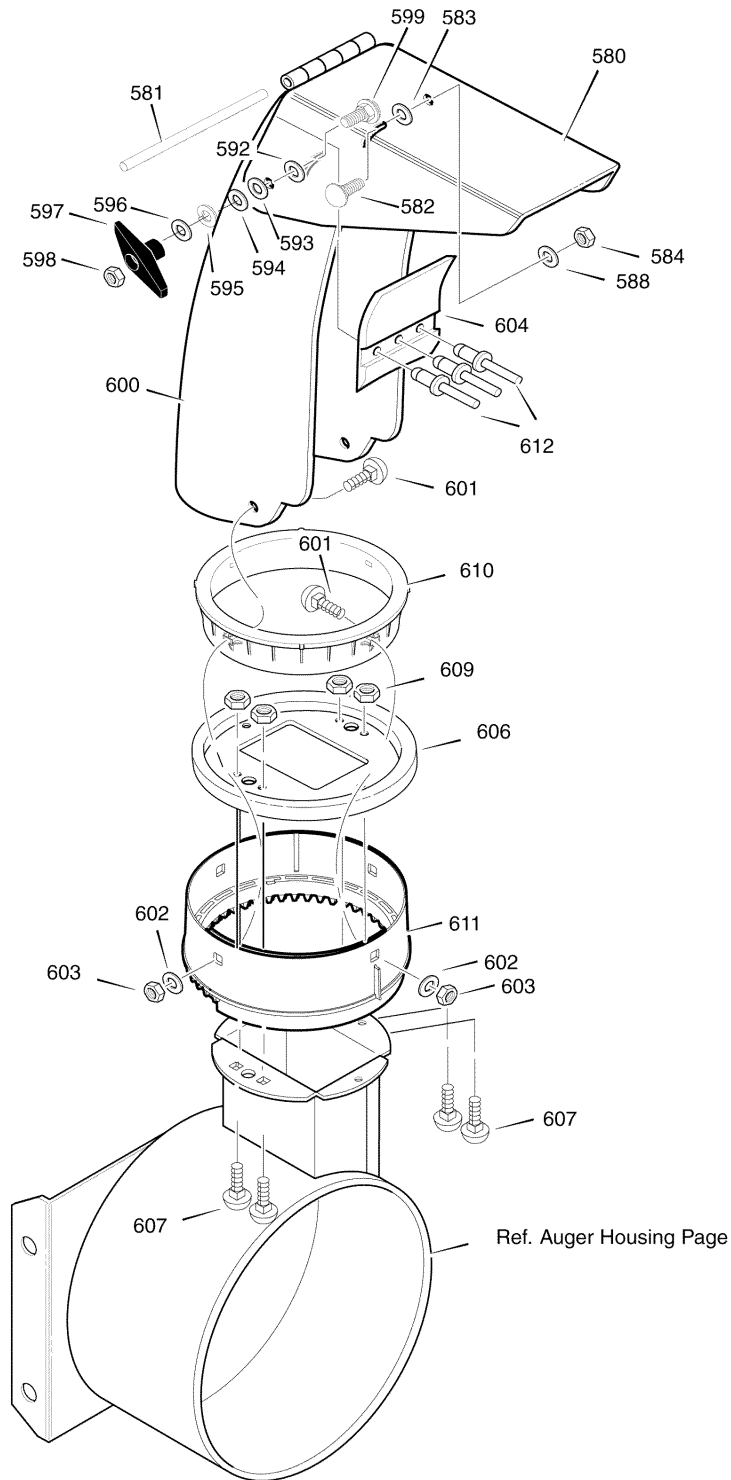
The above parts group applies to the following Mfg. Nos.:

1695363 - 6271200x54

Discharge Chute

0017

**NOTE: Unless noted otherwise,
use the standard hardware torque
specification chart.**



The above parts group applies to the following Mfg. Nos.:

1695363 - 6271200x54

Discharge Chute

REF NO	PART NO.	DESCRIPTION
580	1735014TMA	UPPER CHUTE
581	305216MA	PIN
582	340720MA	BOLT, CARRIAGE 5/16-18 X 0.75
583	12021MA	WASHER, PLASTIC
588	6711MA	WASHER, PLASTIC
584	71038MA	NUT, 5/16-18 REGHEX NYLOCK
592	12021MA	WASHER, PLASTIC
593	6711MA	WASHER, PLASTIC
594	71071MA	WASHER, FLAT
595	71060MA	WASHER, SPLIT
596	71071MA	WASHER, FLAT
597	1501260MA	KNOB, T 3.00
598	71038MA	NUT, 5/16-18 REGHEX
599	002X97MA	BOLT, 5/16-18 X 1.50
600	1735015TMA	LOWER CHUTE
601	2X100MA	BOLT, 5/16-18 X 1.00
602	71071MA	WASHER, FLAT
603	71038MA	NUT, 5/16-18 HEXNYL
604	760268MA	FLAP, CHUTE
606	1501932YZMA	CHUTE COLLAR
607	02X101MA	SCREW, 1/4-20 X 0.75
609	15X145MA	NUT, 1/4-20 HEX NYLOCK
610	337227MA	RETAINER RING INNER
611	1501282MA	RETAINER RING OUTER
612	760987MA	RIVET

Footnotes

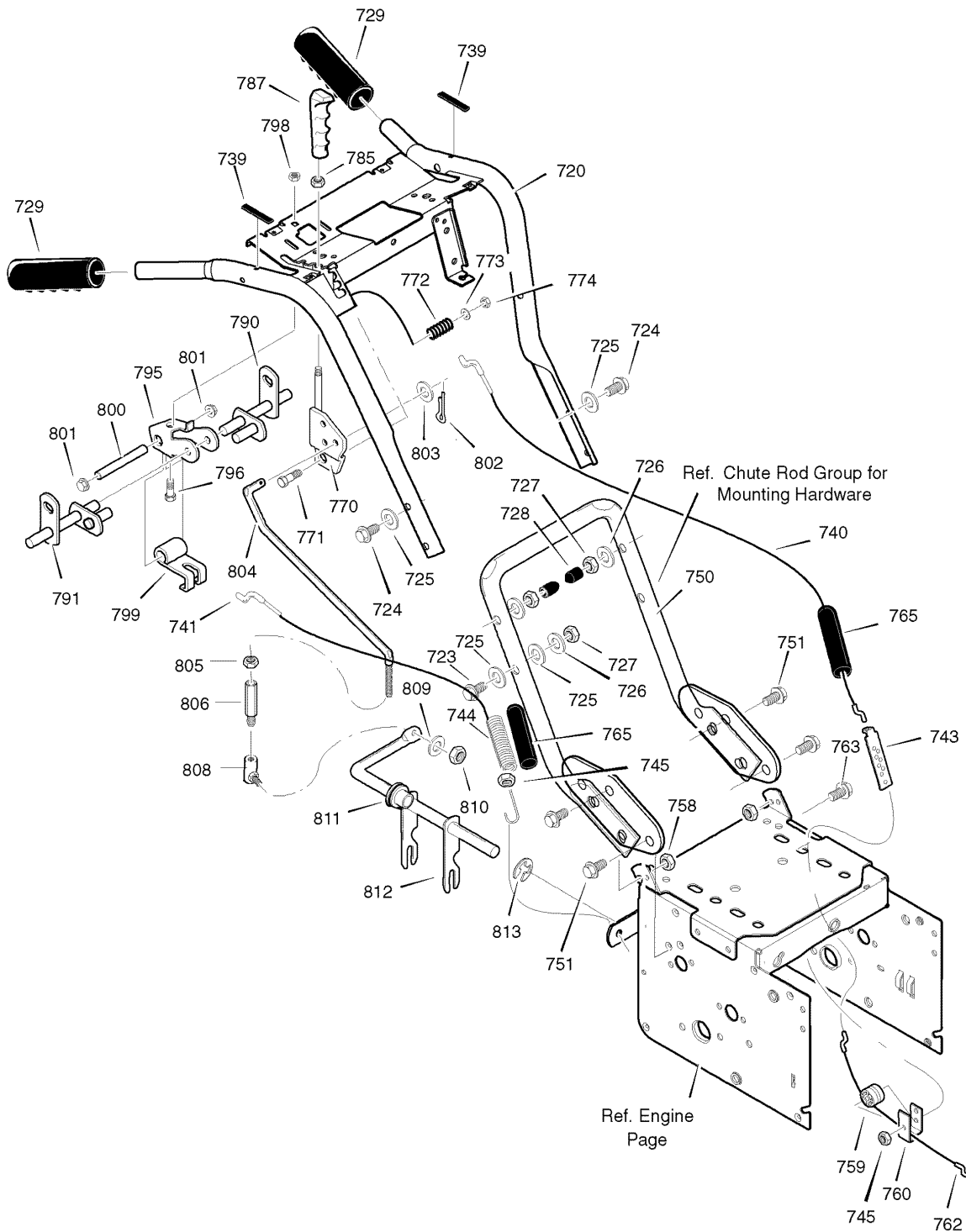
The above parts group applies to the following Mfg. Nos.:

1695363 - 6271200x54

Handle Assembly

0011

NOTE: Unless noted otherwise,
use the standard hardware torque
specification chart.



The above parts group applies to the following Mfg. Nos.:
1695363 - 6271200x54

Handle Assembly

REF NO	PART NO.	DESCRIPTION
720	1740611TMA	HANDLE ASSEMBLY
723	71007MA	SCREW, 3/8-16 X 2.00
724	7288MA	SCREW
725	71072MA	WASHER, FLAT
726	71062MA	WASHER
727	71044MA	NUT
728	7289MA	STOP, PLASTIC
729	337399MA	GRIP, HANDLE
739	4049MA	BUMPER
740	1501451MA	CABLE, AUGER CLUTCH
741	1501452MA	CABLE, DRIVE
743	313441MA	BRACKET, CABLE ADJUST
744	1673MA	SPRING, CLUTCH
745	15X145MA	NUT, HEX
750	1740580TMA	HANDLE, LOWER
751	25X021MA	SCREW
758	15X144MA	NUT 5/16-18 REGHEX
759	579860MA	SPOOL, CABLE
760	1501059YZMA	BRACKET, SPOOL
762	1501122MA	CABLE, LOWER DRIVE
763	001798MA	BOLT, HEX 1/4-20 X 1.5
765	308146MA	BOOT, CABLE
770	1501570YZMA	BRACKET, SHIFT
771	4058MA	SCREW
772	50786MA	SPRING
773	71072MA	WASHER, FLAT
774	71046MA	NUT, HEX
785	71045MA	NUT, HEX
787	304728MA	KNOB, SHIFT
790	1740637MA	ROD, ASSEMBLY LH
791	1740635MA	ROD, ASSEMBLY RH
795	1740652MA	BRACKET, CAM
796	002X53MA	SCREW
798	71038MA	NUT, NYLOCK
799	8417MA	CAM LOCK
800	584673MA	PIN, SPRING PIVOT
801	73664MA	NUT, PUSH ON
802	71081MA	PIN, COTTER
803	71071MA	FLATWASHER
804	1501728MA	ROD, SPEED CONTROL
805	71042MA	NUT, 5/16-18
806	6352MA	ADAPTER, ROD
808	50782MA	BALLJOINT, STEEL

Footnotes

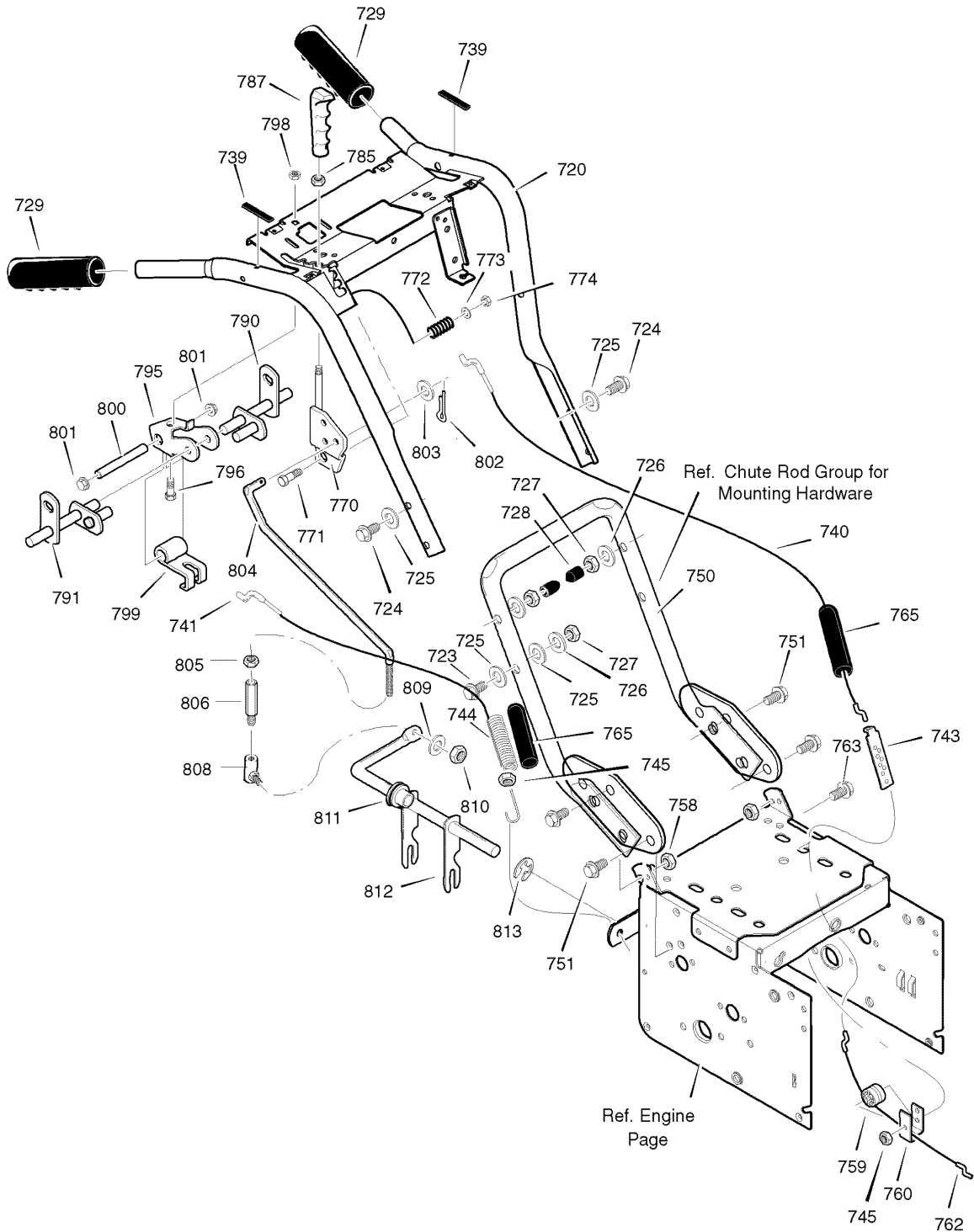
The above parts group applies to the following Mfg. Nos.:

1695363 - 6271200x54

Handle Assembly

0011

NOTE: Unless noted otherwise,
use the standard hardware torque
specification chart.



The above parts group applies to the following Mfg. Nos.:
1695363 - 6271200x54

Handle Assembly

REF NO	PART NO.	DESCRIPTION
811	579944MA	BEARING, FLANGE
812	1501110YZMA	ROD, YOKE
813	11X30MA	RETAINER, RING

Footnotes

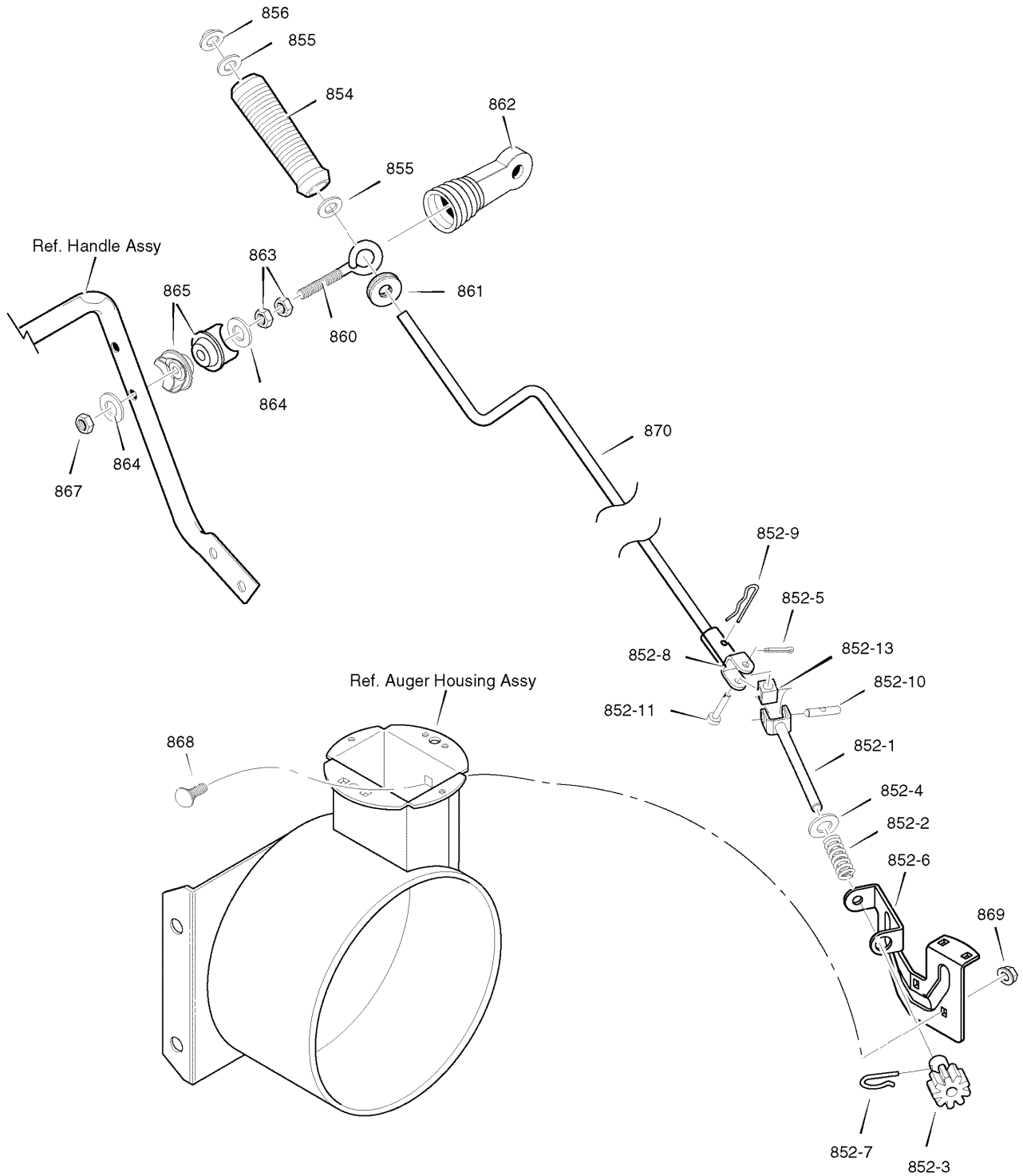
The above parts group applies to the following Mfg. Nos.:

1695363 - 6271200x54

Chute Rod

0019

**NOTE: Unless noted otherwise,
use the standard hardware torque
specification chart.**



The above parts group applies to the following Mfg. Nos.:
1695363 - 6271200x54

Chute Rod

REF NO	PART NO.	DESCRIPTION
852-1	1501533YZMA	ASSEMBLY, YOKE & ROD
852-2	164X37MA	SPRING
852-3	1501067MA	GEAR, CHUTE ROTATION 9T
852-4	017X48MA	WASHER
852-5	579493MA	PIN, COTTER
852-6	1740591TMA	BRACKET, CHUTE GEAR
852-7	1501293MA	PIN, HAIR
852-8	1501075YZMA	ASSEMBLY, YOKE ADAPTER YZ
852-9	711682MA	PIN, HAIR
852-10	578060MA	PIN, UNIVERSAL JOINT
852-11	578309MA	PIN, CLEVIS
852-13	578063MA	HOUSING, UNIVERSAL
854	307399MA	KNOB, SLEEVE
855	309312MA	FLATWASHER
856	73664MA	NUT, PUSH ON 3/8"
860	1501456MA	EYE BOLT 3/8-16 X 6.50
861	148MA	GROMMET, EYE BOLT
862	1501457MA	BOOT, EYE BOLT
863	71045MA	NUT, 3/8-16 HEXJAM
864	71072MA	FLATWASHER 0.406 X 0.81 X 0.066
865	309344MA	ADAPTER, BOOT
867	71046MA	NUT, 3/8-16 HEXNYL
868	02X101MA	BOLT, CARRIAGE 1/4-20 X 3/4
869	15X145MA	NUT, 1/4-20
870	1501074YZMA	CRANK, ASSEMBLY CHUTE

Footnotes

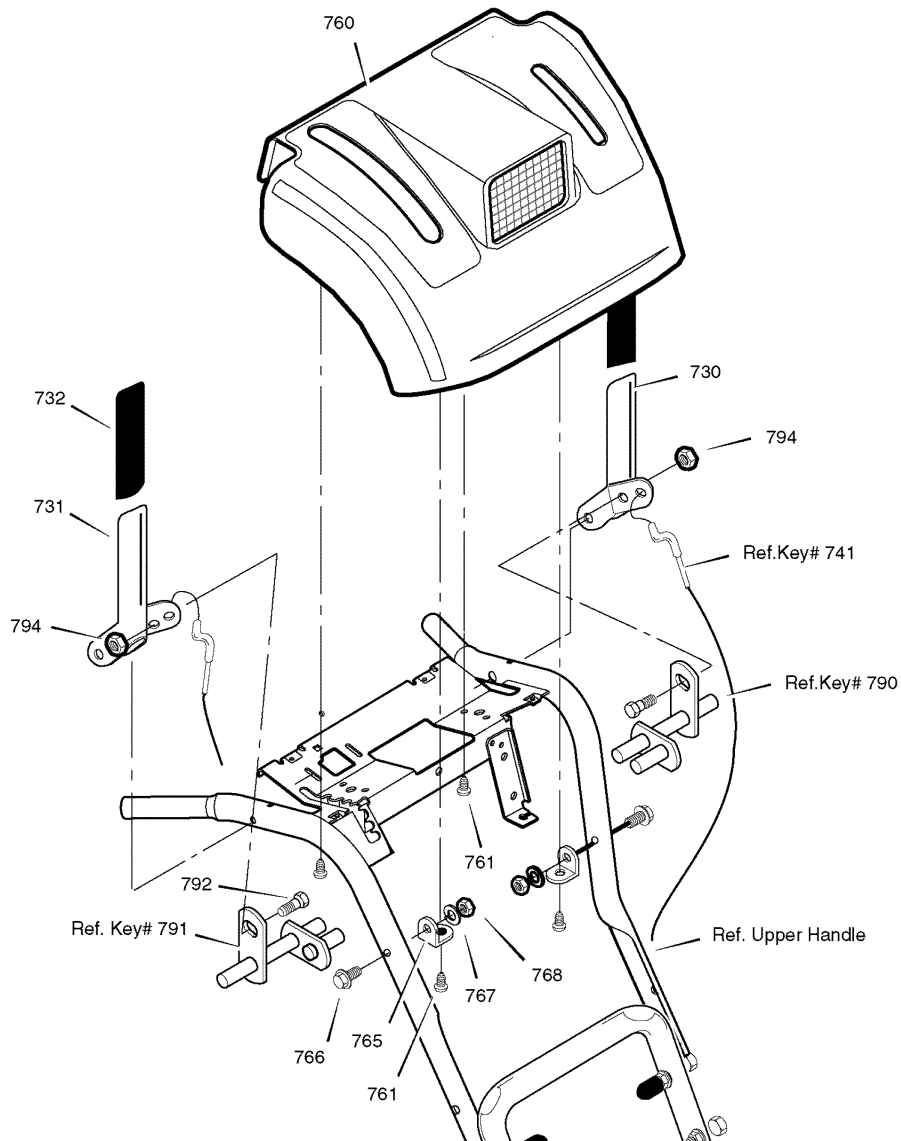
The above parts group applies to the following Mfg. Nos.:

1695363 - 6271200x54

Control Panel

0013

NOTE: Unless noted otherwise,
use the standard hardware torque
specification chart.



The above parts group applies to the following Mfg. Nos.:

1695363 - 6271200x54

Control Panel

REF NO	PART NO.	DESCRIPTION
730	1740603MA	CLUTCH HANDLE LH
731	1740602MA	CLUTCH HANDLE RH
732	337380MA	GRIP, CLUTCH LEVER
760	1501327MA	PANEL, CONTROL
761	316042MA	SCREW
765	578866E717MA	BRACKET, PANEL
766	302900MA	SCREW, 5/16-18 X 1.75
767	71060MA	WASHER
768	15x144MA	NUT, 5/16-18
792	905531MA	BOLT, 1/4-20 X 0.50
794	908913MA	NUT, 1/4-20

Footnotes

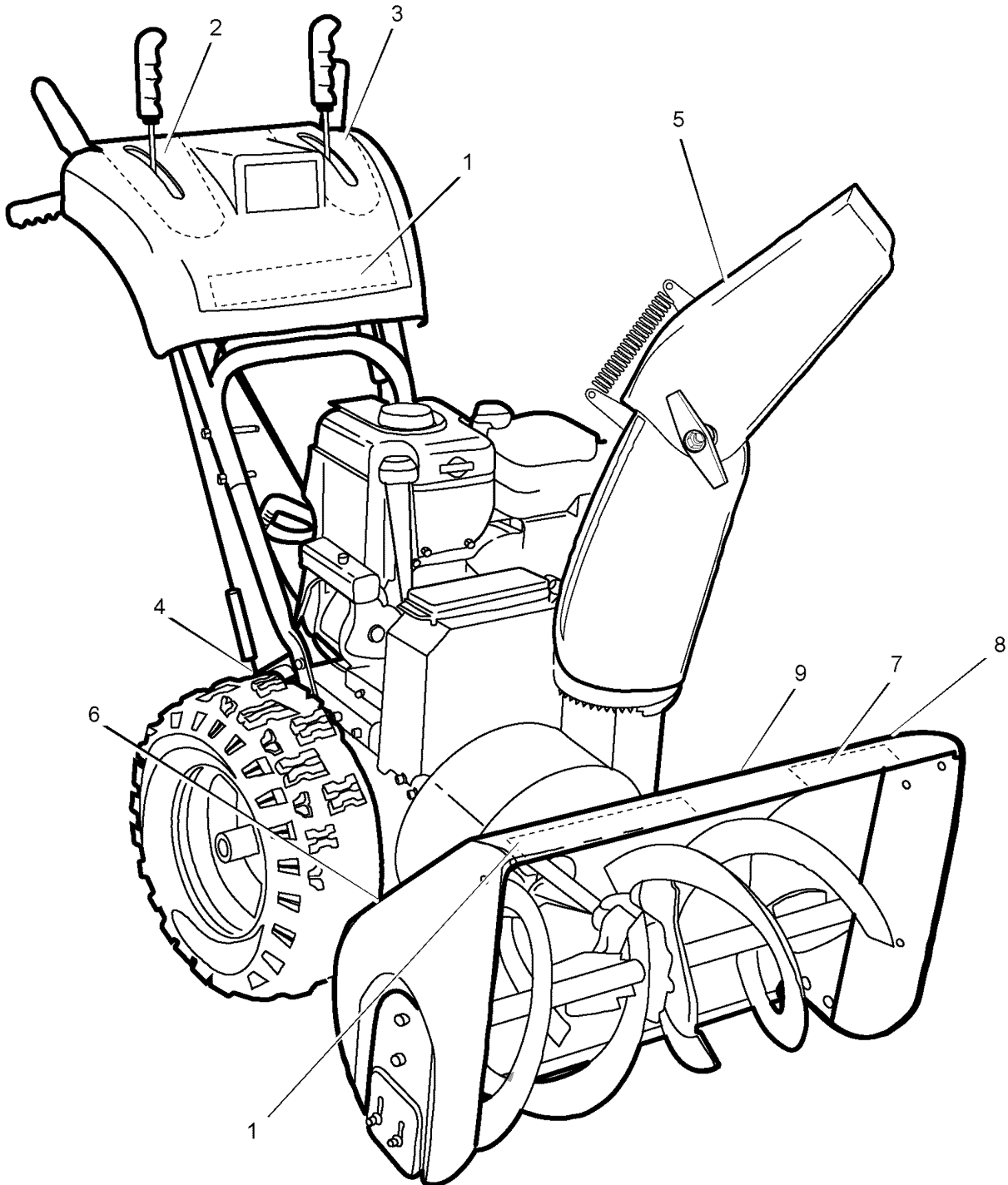
The above parts group applies to the following Mfg. Nos.:

1695363 - 6271200x54

Decals

NOTE: Unless noted otherwise,
use the standard hardware torque
specification chart.

0025



The above parts group applies to the following Mfg. Nos.:
1695363 - 6271200x54

Decals

REF NO	PART NO.	DESCRIPTION
1	1740725MA	DECAL, CANADIANA
2	1740712MA	DECAL, CANADIANA 1150/69 SPEED
3	1740710MA	DECAL, P5 NON REMOTE
4	*	DECAL, ID PLATE
5	586341MA	DECAL, ISO CHUTE CE
6	586342MA	DECAL, ISO AUGER CE
7	304427MA	DECAL, FACE HEAD PHONES
8	1740759MA	DECAL, STIGA RH & LH AUGER
9	48X5386MA	DECAL, 104db CE

Footnotes

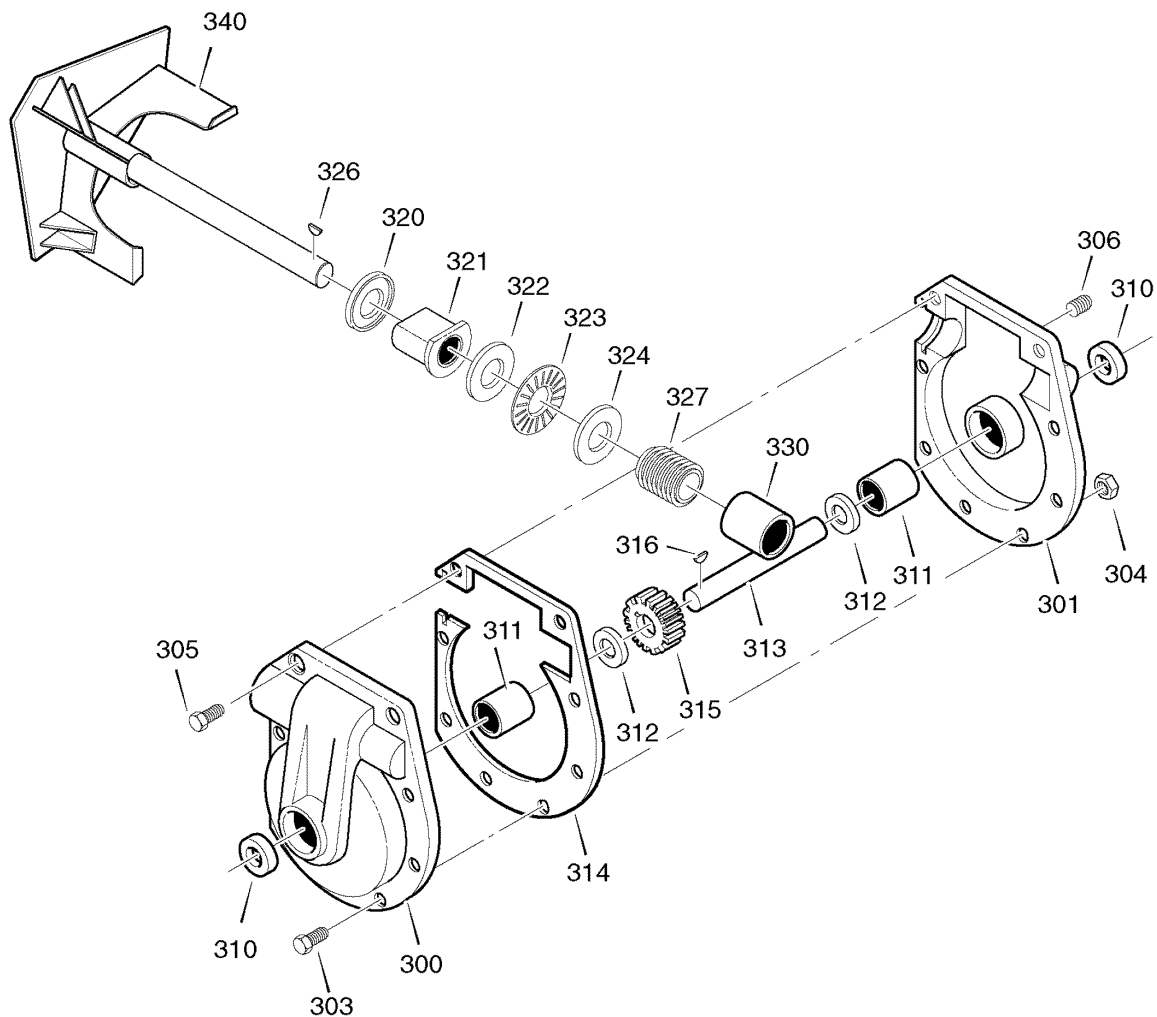
The above parts group applies to the following Mfg. Nos.:

1695363 - 6271200x54

Gear Case

0023

NOTE: Unless noted otherwise,
use the standard hardware torque
specification chart.



The above parts group applies to the following Mfg. Nos.:

1695363 - 6271200x54

Gear Case

REF NO	PART NO.	DESCRIPTION
300	896MA	CASE, GEAR, RH
301	895MA	CASE, GEAR, LH
303	910828MA	SCREW, 5/16-24 X 1.00
304	71100MA	NUT, 5/16-24
305	330434MA	SCREW, 5/16-24 X 1.50
306	53749MA	PLUG, PIPE 0.25-18
310	780151MA	SEAL, OIL
311	53743MA	BEARING, SLEEVE
312	53748MA	WASHER, FLAT
313	760529MA	SHAFT, AUGER OUTPUT
314	897MA	GASKET, GEAR BOX
315	53730MA	WORM GEAR
316	73905MA	KEY, WOODRUFF #91
320	53737MA	RING, QUAD 0.924 ID
321	583126MA	BEARING, FLANGE
322	48275MA	WASHER, FLAT
323	50684MA	BEARING, ROLLER
324	48275MA	WASHER, FLAT
326	50795MA	KEY
327	53732MA	WORM
330	53731MA	BEARING, SLEEVE
340	1740584TMA	IMPELLER
--	333431MA	10oz TUBE LUBRIPLATE

Footnotes

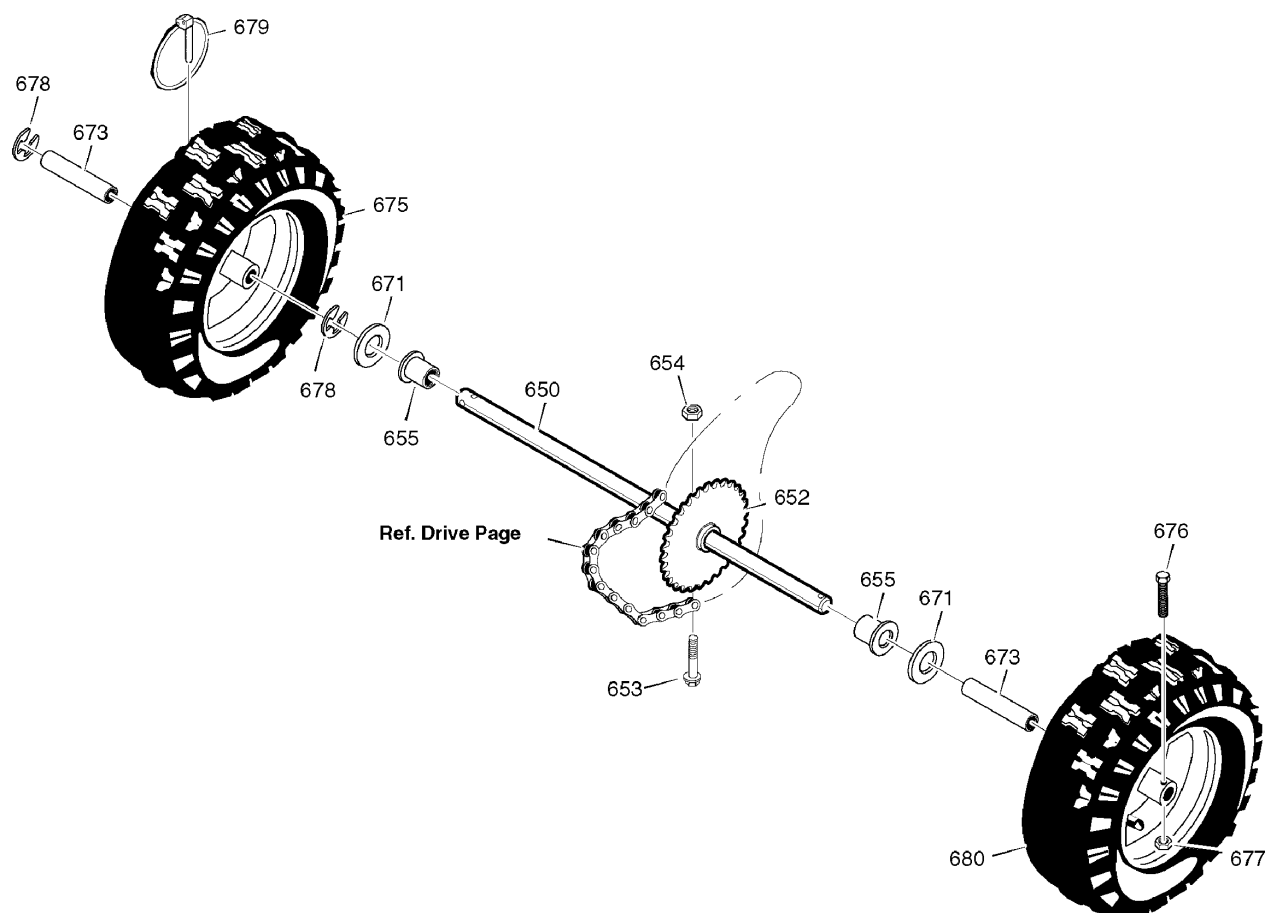
The above parts group applies to the following Mfg. Nos.:

1695363 - 6271200x54

Wheels

0021

NOTE: Unless noted otherwise,
use the standard hardware torque
specification chart.



The above parts group applies to the following Mfg. Nos.:

1695363 - 6271200x54

Wheels

REF NO	PART NO.	DESCRIPTION
650	1501563MA	SHAFT, AXLE
652	1501089MA	SPROCKET & HUB
653	01X193MA	SCREW, 1/4-20 X 1.75
654	15X145MA	NUT, 1/4-20 HEX NYLOCK
655	1501114MA	BEARING, AXLE
671	017X83MA	FLATWASHER
673	1501138MA	BUSHING, WHEEL
675	1501836MA	TIRE & RIM, RIGHT
676	577015MA	SCREW, 1/4-20 X 1.75 HH
677	15X145MA	NUT, 1/4-20 HEX NYLOCK
678	239MA	RETAINER, RING
679	73842MA	PIN, KLIK .25 X 1.38 DIA
680	1501837MA	TIRE & RIM, LEFT

Footnotes

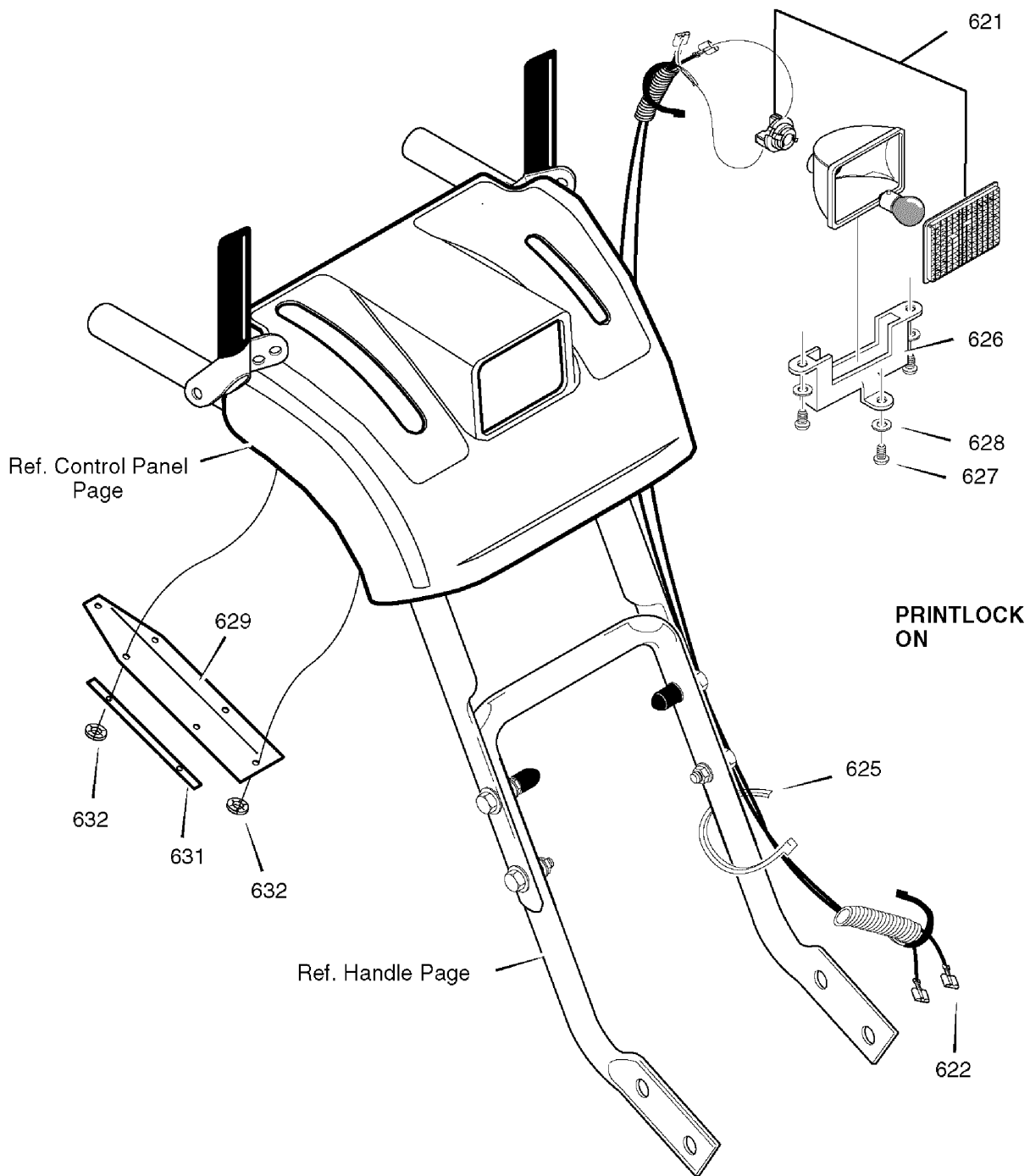
The above parts group applies to the following Mfg. Nos.:

1695363 - 6271200x54

Headlight

0015

NOTE: Unless noted otherwise,
use the standard hardware torque
specification chart.



The above parts group applies to the following Mfg. Nos.:

1695363 - 6271200x54

Headlight

REF NO	PART NO.	DESCRIPTION
621	762343MA	LIGHT, HALOGEN
622	1501455MA	HARNESS, WIRE
625	071372MA	TIE, CABLE
626	578921MA	BRACKET, LIGHT
627	901696MA	SCREW #8 X 0.50
628	901736MA	WASHER, FLAT
629	1501401MA	COVER
631	1501330MA	FRAME
632	028X79MA	NUT, PUSH

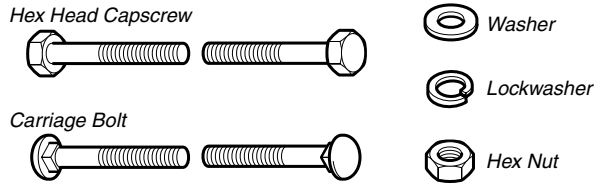
Footnotes

The above parts group applies to the following Mfg. Nos.:

1695363 - 6271200x54

Hardware Identification & Torque Specifications

Common Hardware Types

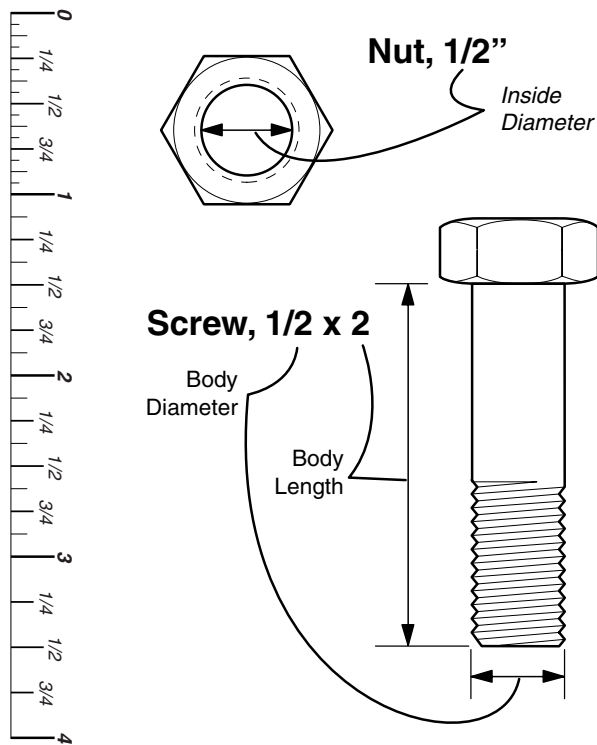


Standard Hardware Sizing

When a washer or nut is identified as 1/2", this is the *Nominal size*, meaning the *inside diameter* is 1/2 inch; if a second number is present it represents the *threads per inch*

When bolt or capscrew is identified as 1/2 - 16 x 2", this means the *Nominal size*, or *body diameter* is 1/2 inch; the second number represents the *threads per inch* (16 in this example, and the final number is the *body length* of the bolt or screw (in this example 2 inches long).

The guides and ruler furnished below are designed to help you select the appropriate hardware and tools.



Torque Specification Chart						
FOR STANDARD MACHINE HARDWARE (Tolerance ± 20%)						
Hardware Grade	No Marks SAE Grade 2		SAE Grade 5		SAE Grade 8	
	in/lbs ft/lbs	Nm.	in/lbs ft/lbs	Nm.	in/lbs ft/lbs	Nm.
8-32	19	2.1	30	3.4	41	4.6
8-36	20	2.3	31	3.5	43	4.9
10-24	27	3.1	43	4.9	60	6.8
10-32	31	3.5	49	5.5	68	7.7
1/4-20	66	7.6	8	10.9	12	16.3
1/4-28	76	8.6	10	13.6	14	19.0
5/16-18	11	15.0	17	23.1	25	34.0
5/16-24	12	16.3	19	25.8	27	34.0
3/8-16	20	27.2	30	40.8	45	61.2
3/8-24	23	31.3	35	47.6	50	68.0
7/16-14	30	40.8	50	68.0	70	95.2
7/16-20	35	47.6	55	74.8	80	108.8
1/2-13	50	68.0	75	102.0	110	149.6
1/2-20	55	74.8	90	122.4	120	163.2
9/16-12	65	88.4	110	149.6	150	204.0
9/16-18	75	102.0	120	163.2	170	231.2
5/8-11	90	122.4	150	204.0	220	299.2
5/8-18	100	136	180	244.8	240	326.4
3/4-10	160	217.6	260	353.6	386	525.0
3/4-16	180	244.8	300	408.0	420	571.2
7/8-9	140	190.4	400	544.0	600	816.0
7/8-14	155	210.8	440	598.4	660	897.6
1-8	220	299.2	580	788.8	900	1,244.0
1-12	240	326.4	640	870.4	1,000	1,360.0

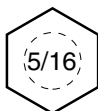
NOTES

- These torque values are to be used for all hardware excluding: locknuts, self-tapping screws, thread forming screws, sheet metal screws and socket head setscrews.
- Recommended seating torque values for locknuts:
 - for prevailing torque locknuts - use 65% of grade 5 torques.
 - for flange whizlock nuts and screws - use 135% of grade 5 torques.
- Unless otherwise noted on assembly drawings, all torque values must meet this specification.

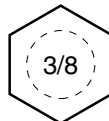
Wrench & Fastener Size Guide



1/4" Bolt or Nut
Wrench—7/16"



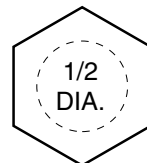
5/16" Bolt or Nut
Wrench—1/2"



3/8" Bolt or Nut
Wrench—9/16"



7/16" Bolt or Nut
Wrench (Bolt)—5/8"
Wrench (Nut)—11/16"



1/2" Bolt or Nut
Wrench—3/4"

