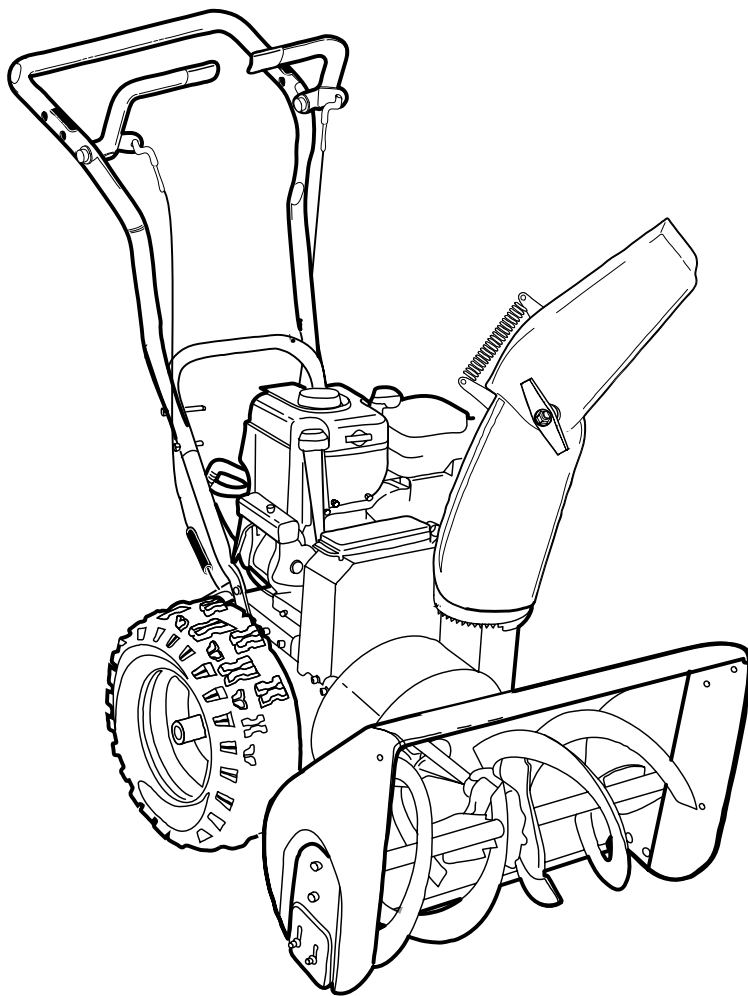


PARTS LIST

MODEL
1695361

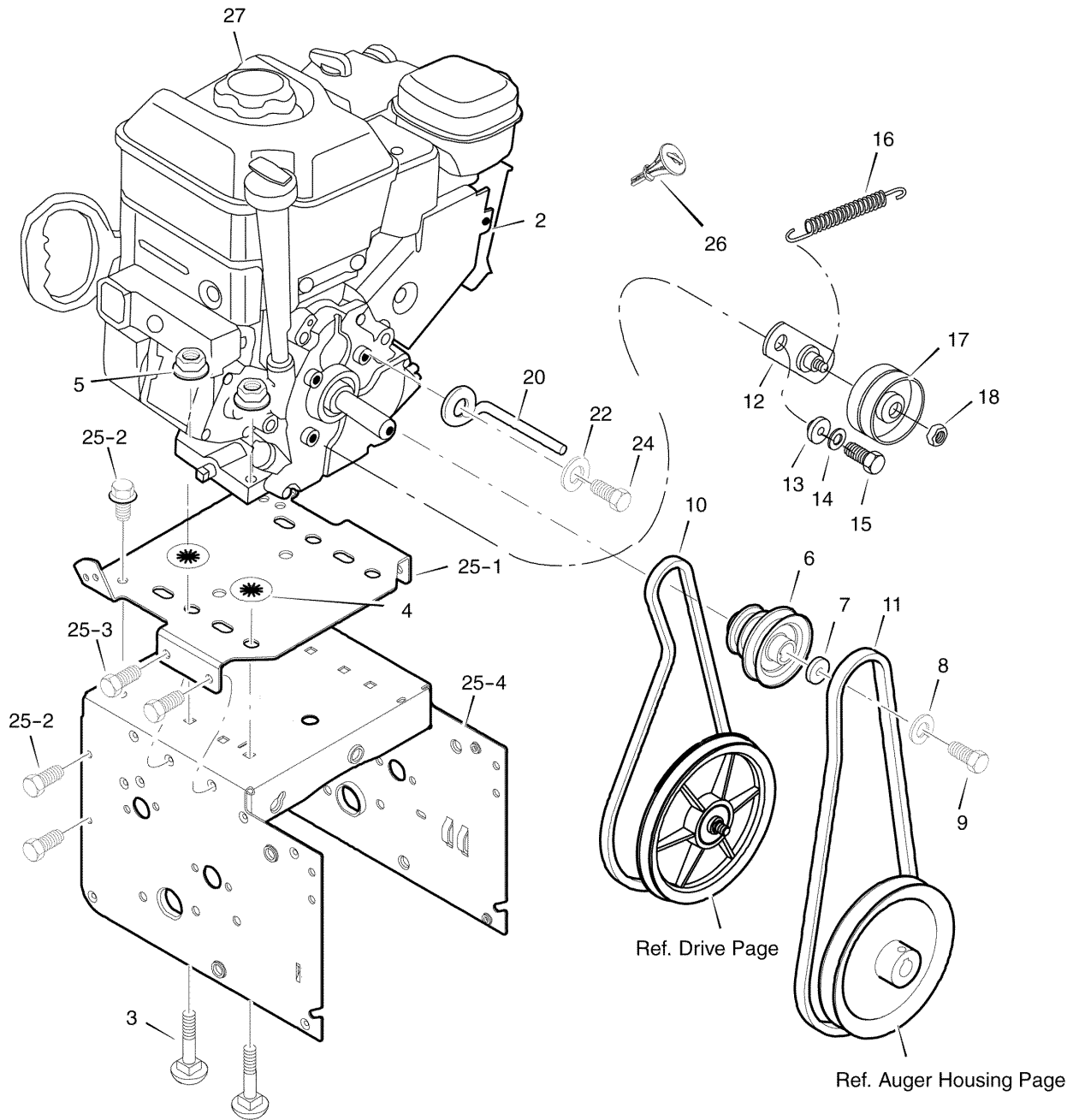


PRODUCT COMPONENTS	PAGES
Engine	4
Frame	6
Drive	8
Auger Housing	10
Discharge Chute	12
Handle Assembly	14
Shift Yoke	16
Chute Rod	18
Decals	20
Gear Case	22
Wheels	24
Torque Specification Chart	Inside Back Cover

Engine

0003

NOTE: Unless noted otherwise,
use the standard hardware torque
specification chart.



The above parts group applies to the following Mfg. Nos.:
1695361 - 6240810x54

Engine

REF NO	PART NO.	DESCRIPTION
2	-----	ENGINE
3	002X97MA	BOLT, CARRIAGE 5/16-18
4	028X76MA	RETAINER, PUSH
5	710026MA	NUT 5/16-18
6	1501109MA	PULLEY, ENGINE
7	17X146MA	WASHER
8	017X48MA	WASHER .39ID
9	910828MA	SCREW, 5/16-24 X 1.00
10	579932MA	BELT, V 3L
11	37X120MA	BELT, V 4L
12	1501112YZMA	BRACKET ASSEMBLY, IDLER
13	1501065MA	BUSHING, IDLER BRACKET
14	71060MA	WASHER, SPLIT
15	710097MA	SCREW 5/16-24 X 0.75
16	53704MA	SPRING, IDLER TRACTION DRIVE
17	1502120MA	PULLEY, IDLER
18	590MA	NUT, JAM 3/8-16
20	1501201MA	GUIDE, BELT
22	71060MA	WASHER .31 X .58 X .08
24	710097MA	SCREW, 5/16-24 X .75
25	-----	FRAME, MOTORBOX (5-11HP)
25-1	1740574RMA	PLATE, ENGINE MOUNT
25-2	310169MA	SCREW, TAP 1/4-20 X .63
25-3	25X020MA	SCREW, TAP 5/16-18 X .50
25-4	1740572RMA	FRAME, MOTOR BOX
26	695756	KEY, BRIGGS ENGINE
27	698109	CAP, GAS
--	1740872	OWNER'S MANUAL

Footnotes

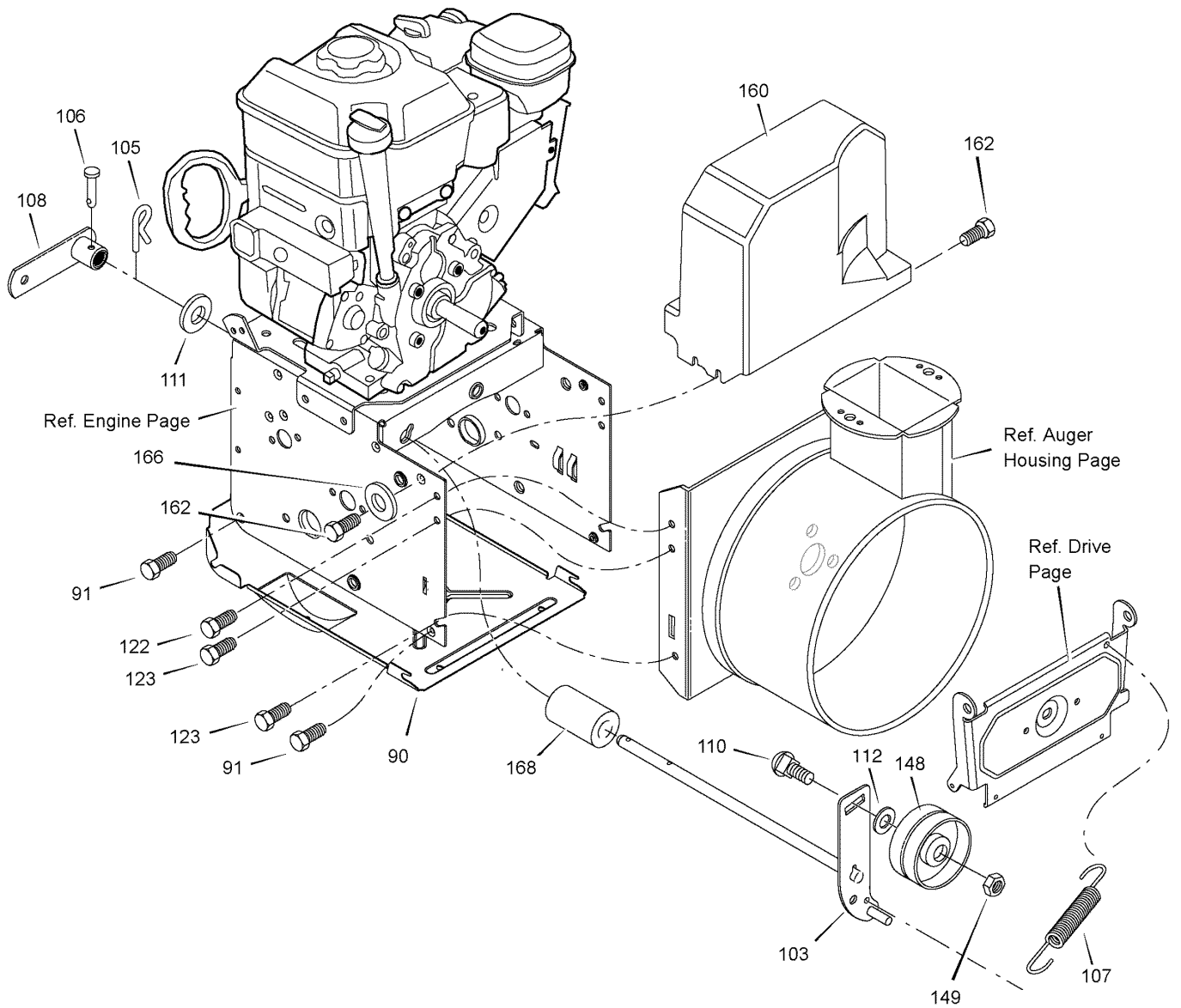
The above parts group applies to the following Mfg. Nos.:

1695361 - 6240810x54

Frame

0007

**NOTE: Unless noted otherwise,
use the standard hardware torque
specification chart.**



The above parts group applies to the following Mfg. Nos.:

1695361 - 6240810x54

Frame

REF NO	PART NO.	DESCRIPTION
90	1740906TMA	COVER, BOTTOM
91	310169MA	SCREW, 1/4-20 X 0.63
103	1501111YZMA	IDLER ASSEMBLY, AUGER
105	711682MA	PIN, HAIR .38DIA X 1.64LG
106	1735135SM	PIN, CLEVIS 3/16" DIA
107	165X160MA	SPRING, TENSION
108	1733451SM	SPRING ATTACH, ASSEMBLY
110	585781MA	BOLT, 3/8-16 X 1.25 CARRIAGE
111	711617MA	WASHER, FLAT
112	017X48MA	WASHER
122	25X020MA	SCREW, TAP 5/16-18 X 0.50
123	25X021MA	SCREW, TAP 5/16-18 X 0.75
148	1502120MA	PULLEY, IDLER
149	590MA	NUT, JAM 3/8-16
160	1502169MA	COVER, BELT
162	26X306MA	SCREW, TAP
166	71067MA	WASHER, FLAT
168	1502041MA	SPACER, AUGER BRACKET

Footnotes

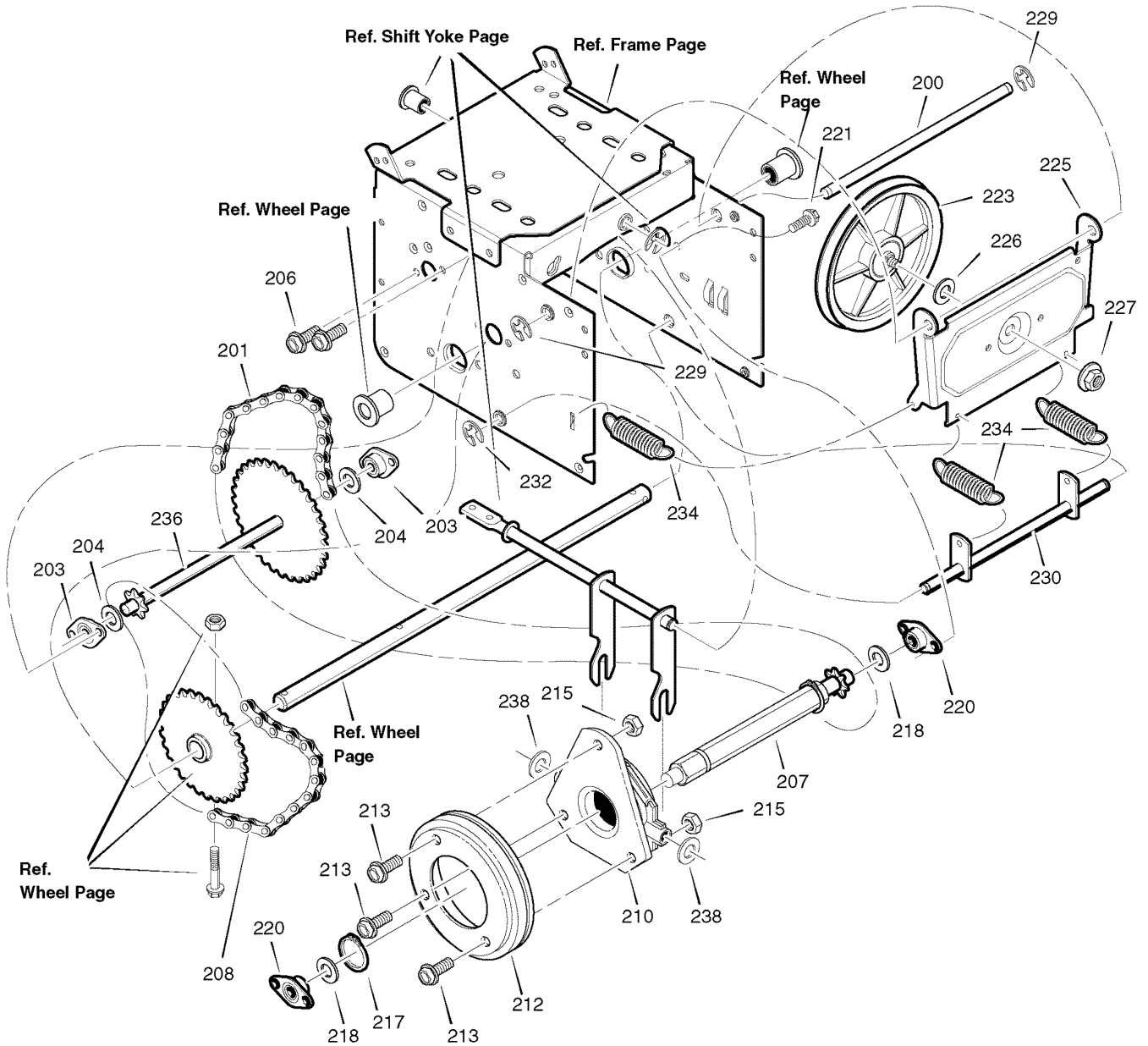
The above parts group applies to the following Mfg. Nos.:

1695361 - 6240810x54

Drive

NOTE: Unless noted otherwise,
use the standard hardware torque
specification chart.

0009



The above parts group applies to the following Mfg. Nos.:
1695361 - 6240810x54

Drive

REF NO	PART NO.	DESCRIPTION
200	1501092YZMA	LF AXLE, SWING PLATE YZ
201	579851MA	CHAIN, ROLLER #420 X 19.00
203	334163MA	BEARING AND RETAINER, ASSEMBLY
204	579858MA	WASHER
206	25X020MA	SCREW, TAP 5/16-18 X 0.5
207	1501236MA	HEX SHAFT ASSEMBLY
208	579868MA	CHAIN, ROLLER #420 X 18.00 LG
210	337029MA	BEARING, TRUNION CLUTCH R
212	1501435MA	WHEEL, FRICTION DISC
213	001X38MA	BOLT
215	303008MA	NUT, KEPS HEX 1/4-20
217	579859MA	RING, RETEXT
218	579858MA	WASHER
220	334163MA	BEARING AND RETAINER, ASSEMBLY
221	25X020MA	SCREW, TAP 5/16-18 X 0.5
223	1501115MA	FRICTION PULLY
225	1501057YZMA	LF PLATE, SWINGING YZ
226	1501158MA	SPACER, FRICTION PULLEY
227	15X114MA	NUT, FLANGE LOCK 3/8-24
229	11X30MA	RETAINER, RING
230	1502105YZMA	LF SPRING LINK YZ, ASSEMBLY
232	11X30MA	RETAINER, RING
234	165X112MA	SPRING, EXTENSION
236	1501237MA	SPOCKET, WELD INTERMED 33T/7
238	71074MA	WASHER, FLAT

Footnotes

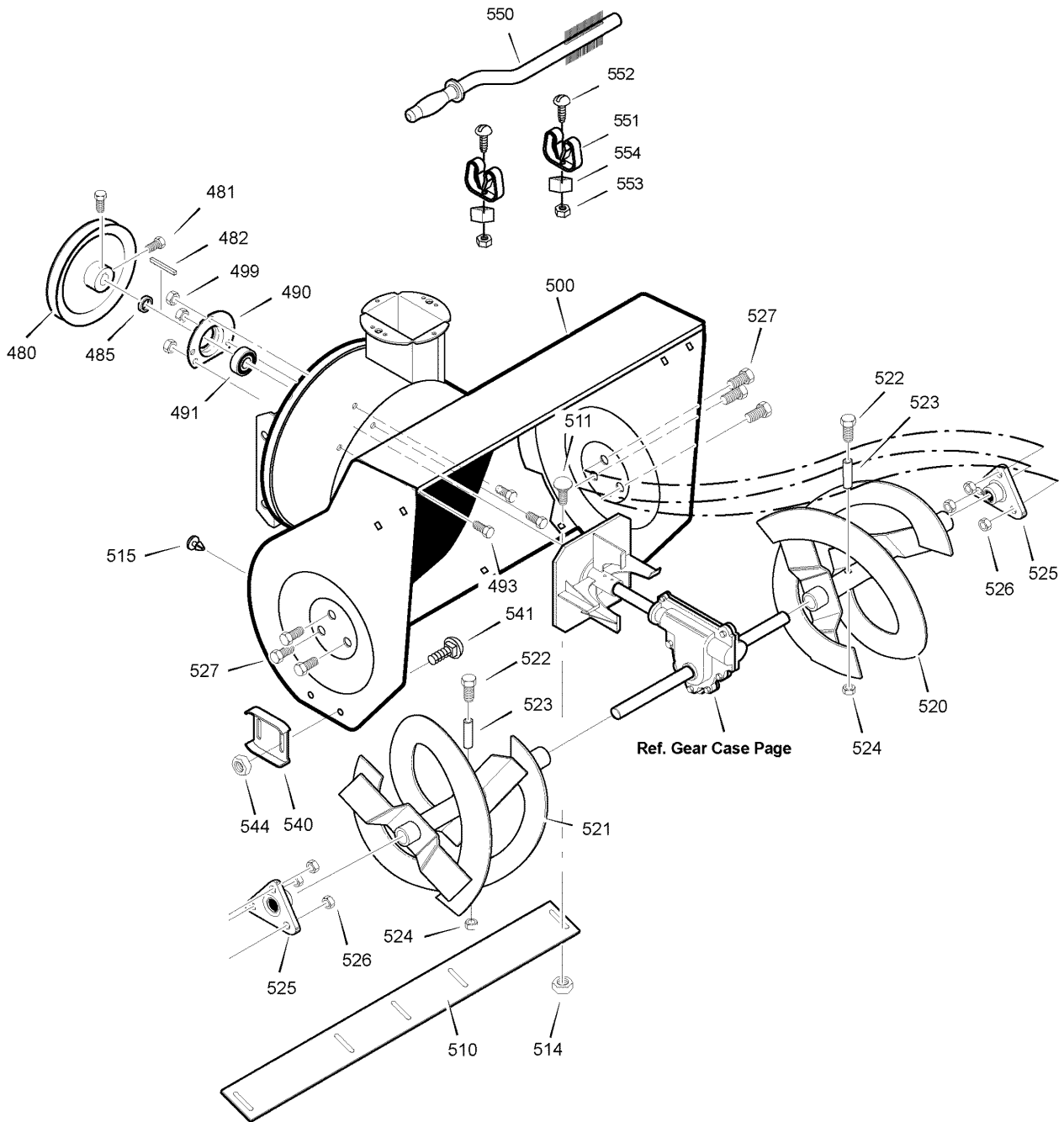
The above parts group applies to the following Mfg. Nos.:

1695361 - 6240810x54

Auger Housing

0011

NOTE: Unless noted otherwise,
use the standard hardware torque
specification chart.



The above parts group applies to the following Mfg. Nos.:
1695361 - 6240810x54

Auger Housing

REF NO	PART NO.	DESCRIPTION
480	762146MA	PULLEY, 4L 6.12 X 0.67
481	577400MA	SCREW, 5/16-18 X 0.63
482	2001022MA	KEY, SQUARE 3/16 X 3/4
485	1501158MA	SPACER, FRICTION PULLEY
490	582957YZMA	RETAINER, BALL BEARING
491	1501389MA	BEARING, BALL
493	001x45MA	BOLT, HEX 5/16-18 X .62
499	710026MA	NUT, 5/16-18 HEXWDFLLK
500	1740648RMA	HOUSING, ASSEMBLY
510	1740909TMA	BLADE, SCRAPER
511	340714MA	BOLT, 5/16-18 X 0.62
514	780285MA	NUT, 1/4-20
515	309235MA	FASTENER, RACHET BLACK
520	1740703TMA	AUGER, ASSEMBLY, LH
521	1740704TMA	AUGER, ASSEMBLY, RH
522	9524MA	SCREW, 1/4-20 X 1.75
523	3943MA	SPACER, SLEEVE
524	73826MA	NUT, 1/4-20
525	9517MA	BEARING, FLANGE
526	711862MA	NUT, 5/16-18
527	9357MA	SCREW, 5/16-18 X 0.75
540	1740718TMA	SKID, HEIGHT ADJUST
541	7090731SM	BOLT, 5/16-18 X 0.50
544	710026MA	NUT, 5/16-18
550	1501576MA	BRUSH, CLEANOUT
551	1501672MA	CLIP, RETAINER
552	06X115MA	SCREW
553	15X146MA	NUT
554	578063MA	BLOCK
--	1501216MA	KIT, SHEAR BOLT

Footnotes

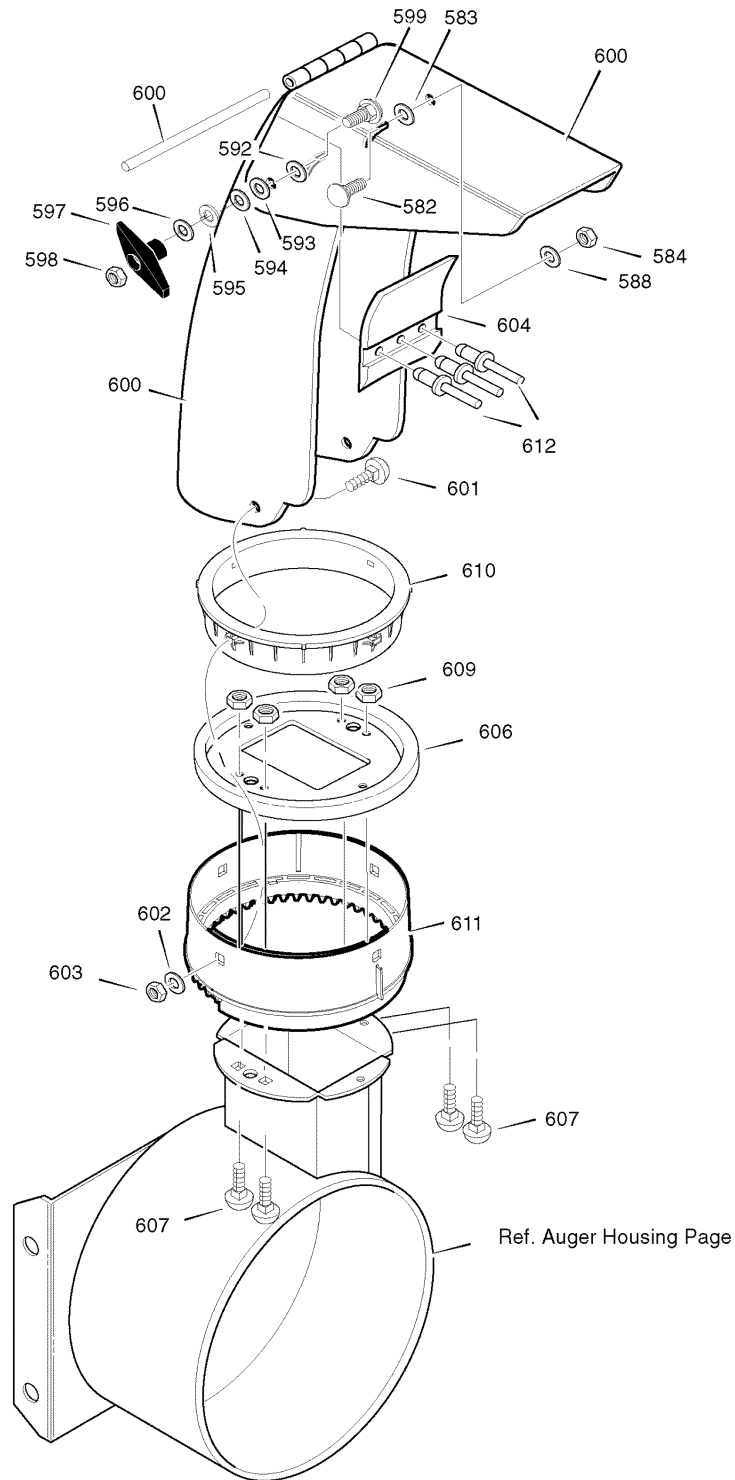
The above parts group applies to the following Mfg. Nos.:

1695361 - 6240810x54

Discharge Chute

0013

NOTE: Unless noted otherwise,
use the standard hardware torque
specification chart.



The above parts group applies to the following Mfg. Nos.:

1695361 - 6240810x54

Discharge Chute

REF NO	PART NO.	DESCRIPTION
582	340720MA	BOLT, CARRIAGE 5/16-18 X 0.75
583	12021MA	WASHER, PLASTIC
584	71038MA	NUT, 5/16-18 REGHEX NYLOCK
588	6711MA	WASHER, PLASTIC
592	12021MA	WASHER, PLASTIC
593	6711MA	WASHER, PLASTIC
594	71071MA	WASHER, FLAT
595	71060MA	WASHER, SPLIT
596	71071MA	WASHER, FLAT
597	1501260MA	KNOB, T 3.00
598	15X144MA	NUT, 5/16-18 REGHEX
599	002X97MA	BOLT, 5/16-18 X 1.00
600	1740717TMA	CHUTE ASSEMBLY WITH GUARD
601	2X100MA	BOLT, 5/16-18 X 1.00
602	71071MA	WASHER, FLAT
603	71038MA	NUT, 5/16-18 HEXNYL
604	760268MA	FLAP, CHUTE
606	1501932YZMA	CHUTE COLLAR
607	02X101MA	SCREW, 1/4-20 X 0.75
609	15X145MA	NUT, 1/4-20 HEX NYLOCK
610	337227MA	RETAINER RING INNER
611	1501282MA	RETAINER RING OUTER
612	760987MA	RIVET

Footnotes

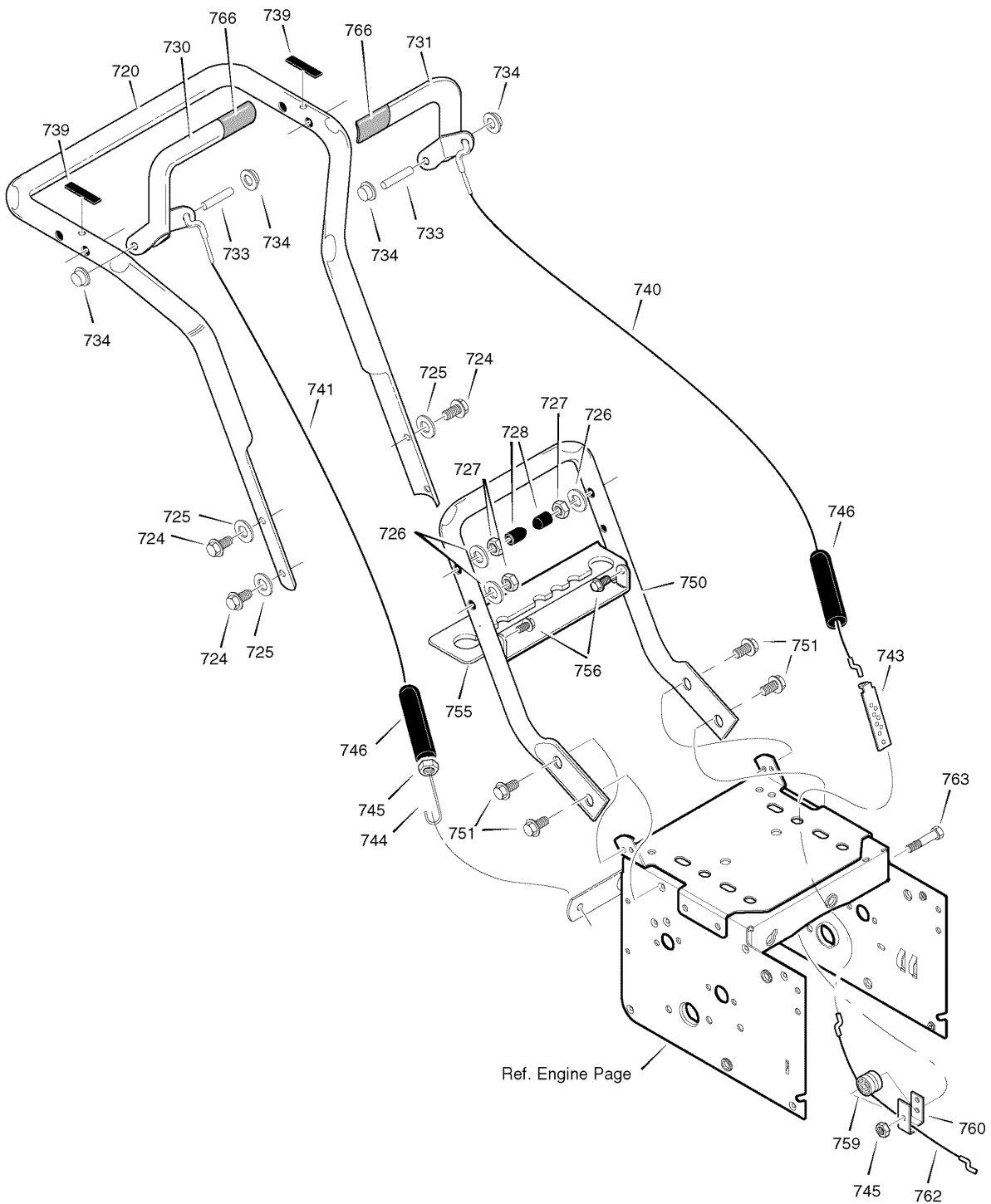
The above parts group applies to the following Mfg. Nos.:

1695361 - 6240810x54

Handle Assembly

0017

**NOTE: Unless noted otherwise,
use the standard hardware torque
specification chart.**



The above parts group applies to the following Mfg. Nos.:
1695361 - 6240810x54

Handle Assembly

REF NO	PART NO.	DESCRIPTION
720	1740697TMA	HANDLE, UPPER
724	11234MA	SCREW, 5/16-18 X 2.75
725	71071MA	WASHER, FLAT
726	71060MA	WASHER, SPTLK .31 X .58 X 0.08
727	15X144MA	NUT, 5/16-18 REGHEX
728	11261MA	STOP, RED PLASTIC
730	1740690TMA	CLUTCH HANDLE, RIGHT
731	1740719TMA	CLUTCH HANDLE, LEFT
733	1501477MA	PIN, PIVOT CLUTCH
734	3535MA	NUT, PUSH ON CAP
739	4049MA	BUMPER, RECTANGLE
740	1501123MA	CABLE, CLUTCH 28.44L
741	761589MA	CABLE, AUGER CLUTCH
743	313441MA	BRACKET, CABLE ADJUSTER
744	1673MA	SPRING, AUGER CLUTCH
745	15X145MA	NUT, 1/4-20
746	308146MA	BOOT, CLUTCH SPRING
750	1740701TMA	HANDLE, LOWER
751	25X021MA	SCREW, TAP 5/16-18 X 0.75
755	1740698TMA	BRACKET, GEAR SELECTOR
756	310169MA	SCREW, 1/4-20 X 0.63
759	579860MA	SPOOL-CABLE, AUGER CLUTCH
760	1501059YZMA	BRACKET, CABLE SPOOL YZ
762	1501122MA	CABLE, LOWER DRIVE 12"
763	001798MA	BOLT, HEX 1/4-20 X 1.50
766	333927MA	GRIP

Footnotes

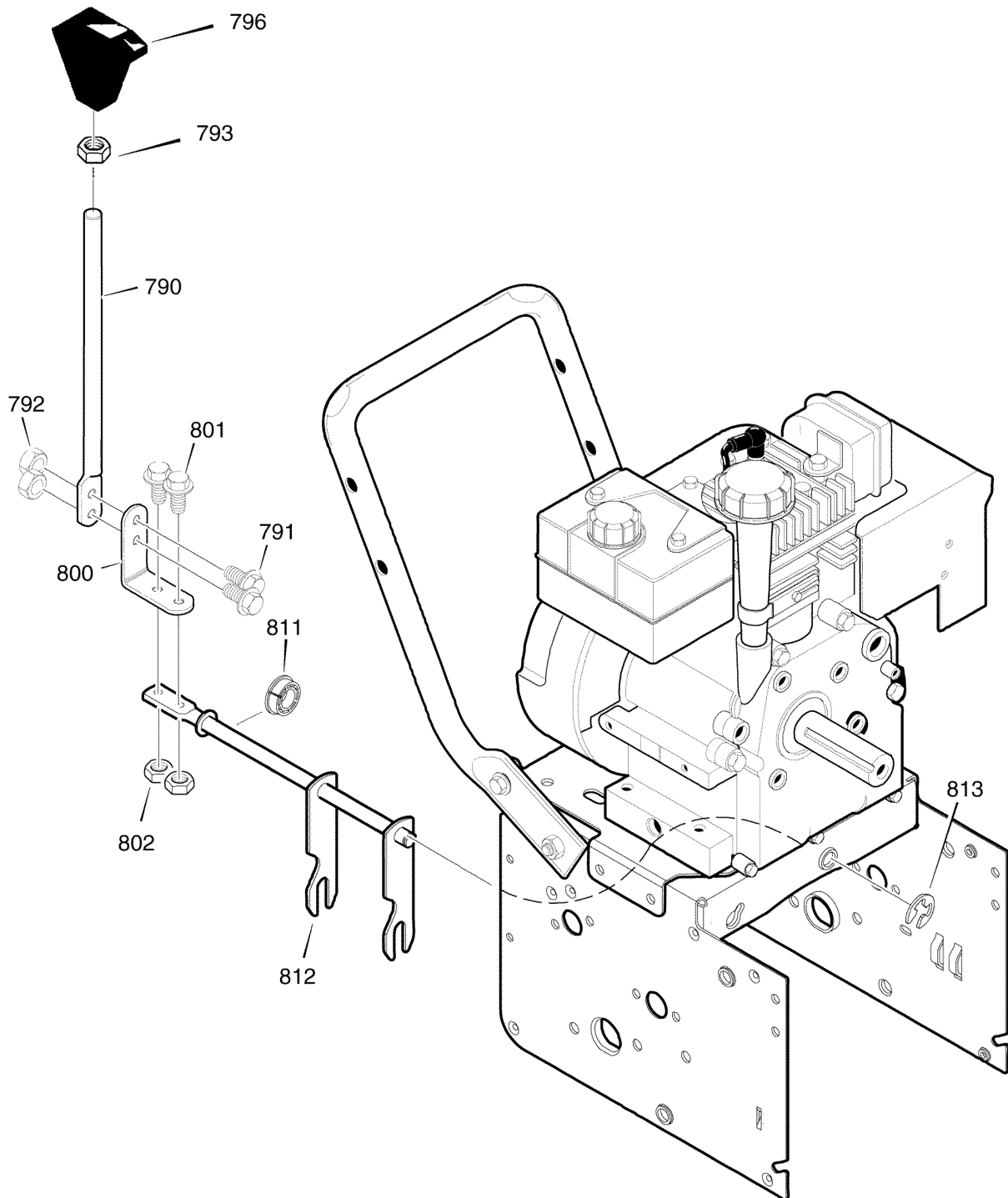
The above parts group applies to the following Mfg. Nos.:

1695361 - 6240810x54

Shift Yoke

0021

NOTE: Unless noted otherwise,
use the standard hardware torque
specification chart.



The above parts group applies to the following Mfg. Nos.:

1695361 - 6240810x54

Shift Yoke

REF NO	PART NO.	DESCRIPTION
790	581631E717MA	ROD, SHIFT
791	302628MA	SCREW, 1/4-20 X 0.75
792	73826MA	NUT, 1/4-20
793	318486MA	NUT, JAM
796	304438MA	KNOB
800	760564MA	LEVER, SPRING
801	302628MA	SCREW, 1/4-20 X 0.75
802	73826MA	NUT, 1/4-20
811	579944MA	BEARING, FLANGED
812	1501085YZMA	ROD ASSEMBLY, SPEED SELECT
813	11x30MA	RETAINER, RING

Footnotes

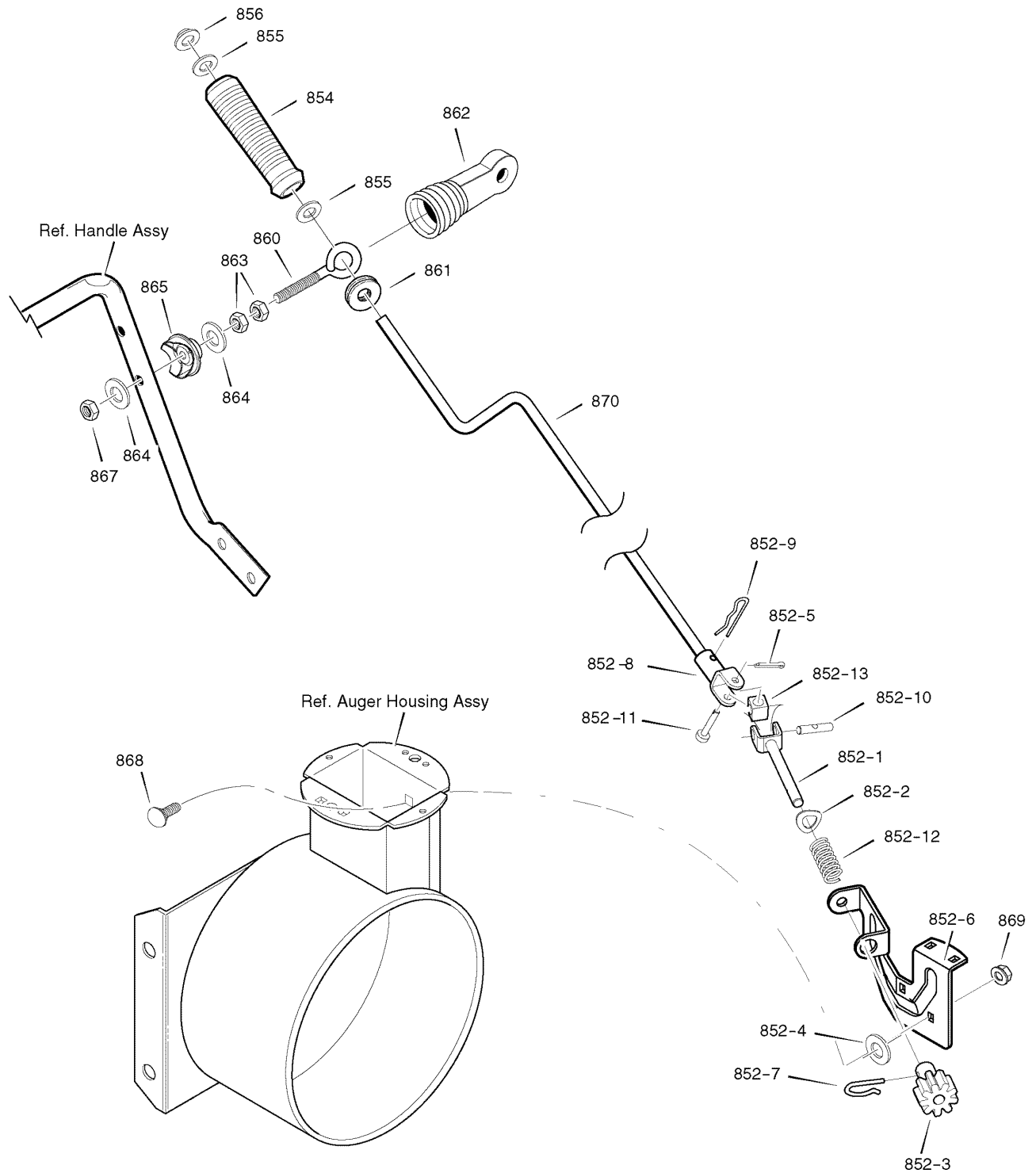
The above parts group applies to the following Mfg. Nos.:

1695361 - 6240810x54

Chute Rod

0015

**NOTE: Unless noted otherwise,
use the standard hardware torque
specification chart.**



The above parts group applies to the following Mfg. Nos.:
1695361 - 6240810x54

Chute Rod

REF NO	PART NO.	DESCRIPTION
852-1	1740627MA	YOKE & ROD ASSEMBLY
852-2	017X48MA	WASHER, CURVED SPRING
852-3	1501067MA	GEAR, CHUTE ROTATION 9T
852-4	17X170MA	WASHER
852-5	579493MA	PIN, COTTER
852-6	1740591TMA	BRACKET, CHUTE GEAR
852-7	1501293MA	PIN, HAIR
852-8	1501075YZMA	YOKE ADAPTER YZ, ASSEMBLY
852-9	711682MA	PIN, HAIR
852-10	578060MA	PIN, UNIVERSAL JOINT
852-11	578309MA	PIN, CLEVIS
852-12	164X37MA	SPRING, COMPRESSION
852-13	578063MA	HOUSING, UNIVERSAL
854	307399MA	KNOB, SLEEVE
855	309312MA	FLATWASHER
856	73664MA	NUT, PUSH ON 3/8"
860	1501456MA	EYE BOLT 3/8-16 X 6.50
861	148MA	GROMMET, EYE BOLT
862	1501457MA	BOOT, EYE BOLT
863	71045MA	NUT, 3/8-16 HEXJAM
864	71072MA	FLATWASHER .406 X .81 X .066
865	309344MA	ADAPTER, BOOT
867	71046MA	NUT, 3/8-16 HEXNYL
868	002X98MA	BOLT, CARRIAGE 1/4-20 X 1.00
869	15X145MA	NUT, 1/4-20
870	1501074YZMA	CRANK, ASSEMBLY CHUTE

Footnotes

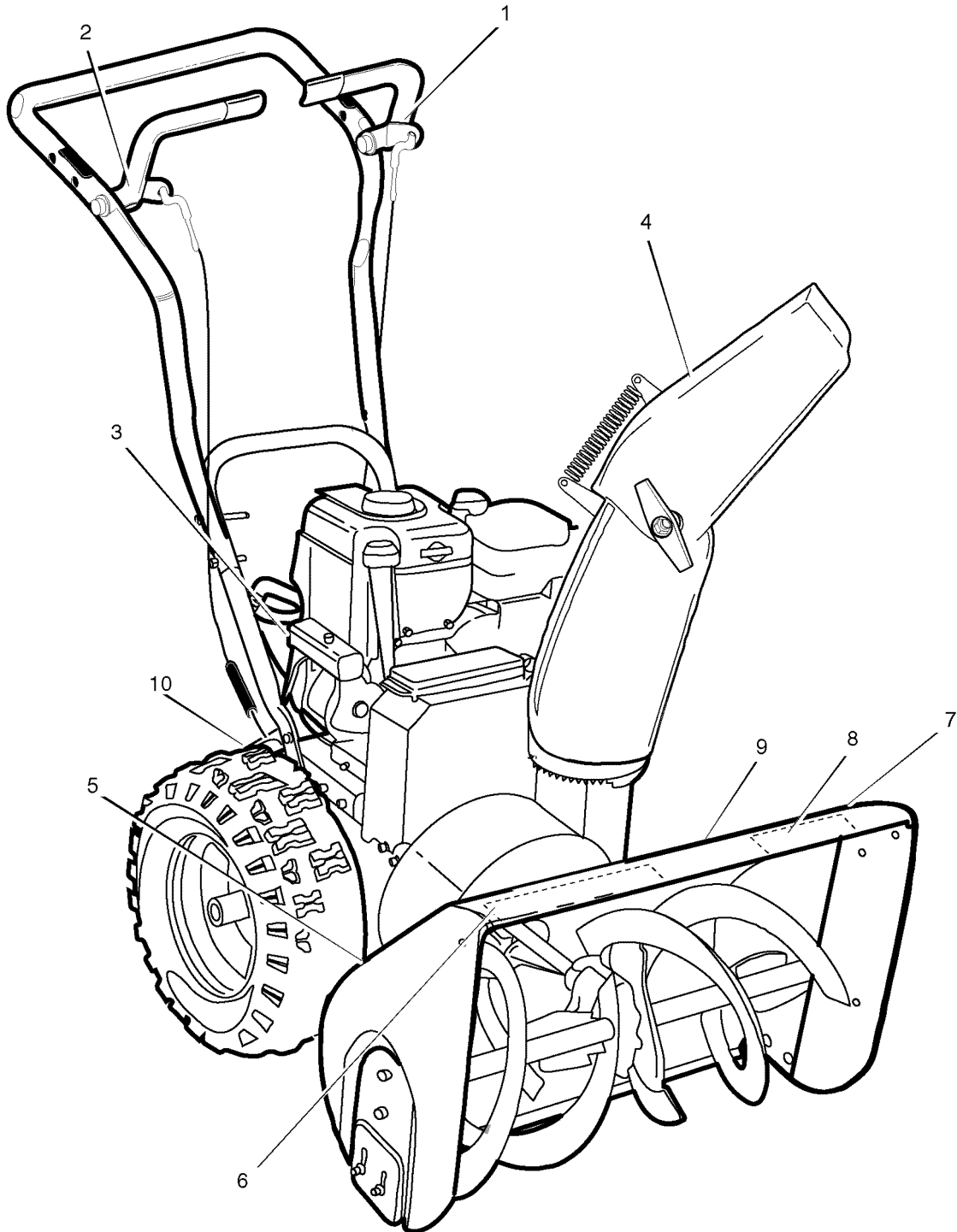
The above parts group applies to the following Mfg. Nos.:

1695361 - 6240810x54

Decals

NOTE: Unless noted otherwise,
use the standard hardware torque
specification chart.

0027



The above parts group applies to the following Mfg. Nos.:

1695361 - 6240810x54

Decals

REF NO	PART NO.	DESCRIPTION
1	1740722MA	DECAL, DRIVE SYMBOL
2	1740723MA	DECAL, AUGER SYMBOL
3	761333MA	DECAL, GEAR SELECT
4	586341MA	DECAL, ISO CHUTE
5	586342MA	DECAL, ISO AUGER
6	1740725MA	DECAL, CANADIANA
7	304427MA	DECAL, FACE HEAD PHONES
8	1740767MA	DECAL, 800/61 TOP AUGER WHITE
9	48X5386MA	DECAL, 104db CE
10	*	DECAL, ID PLATE

Footnotes

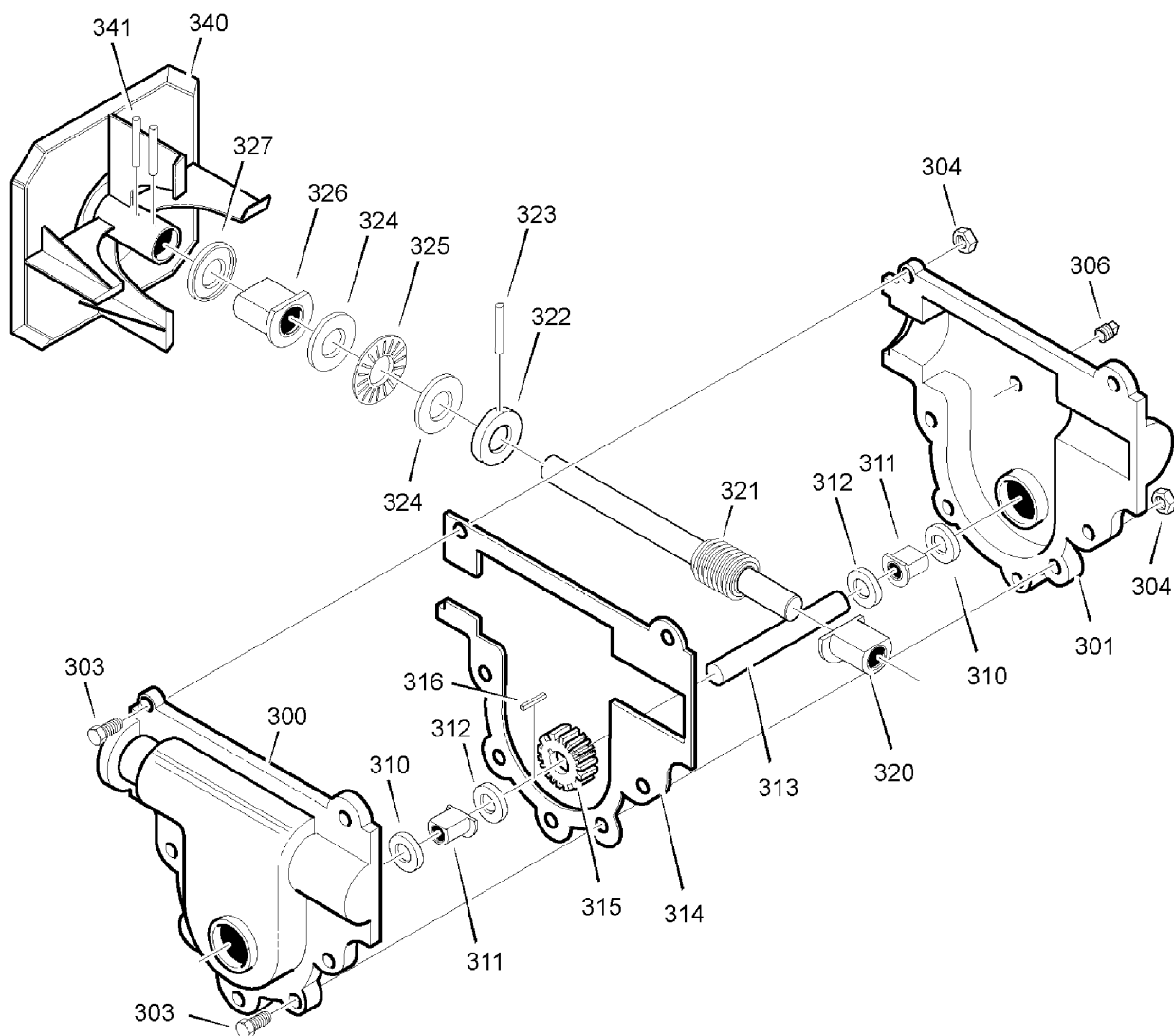
The above parts group applies to the following Mfg. Nos.:

1695361 - 6240810x54

Gear Case

0005

NOTE: Unless noted otherwise,
use the standard hardware torque
specification chart.



The above parts group applies to the following Mfg. Nos.:

1695361 - 6240810x54

Gear Case

REF NO	PART NO.	DESCRIPTION
300	10577MA	CASE, GEAR, RH
301	10576MA	CASE, GEAR, LH
303	710025MA	SCREW, 1/4-20 X 0.75
304	15X143MA	NUT, 1/4-20
306	9344MA	SCREW, 3/8-16 X 0.50
310	9566MA	SEAL, OIL
311	50304MA	BEARING, FLANGE
312	48275MA	WASHER, FLAT
313	340286MA	SHAFT, AUGER OUTPUT
314	51279MA	GASKET, GEAR BOX
315	51405MA	GEAR, WORM
316	431787MA	KEY, WOODRUFF #61
320	50221MA	BEARING, FLANGE
321	1501128MA	SHAFT, AUGER INPUT (IMPELLER)
322	580295MA	COLLAR, THRUST
323	454565MA	PIN, SPRING
324	48275MA	WASHER, FLAT
325	50684MA	BEARING, ROLL
326	50304MA	BEARING, FLANGE
327	9566MA	SEAL, OIL
340	1740910TMA	IMPELLER
341	454565MA	PIN, SPRING
--	333431MA	10oz TUBE LUBRIPLATE (NOT ILLUSTRATED)

Footnotes

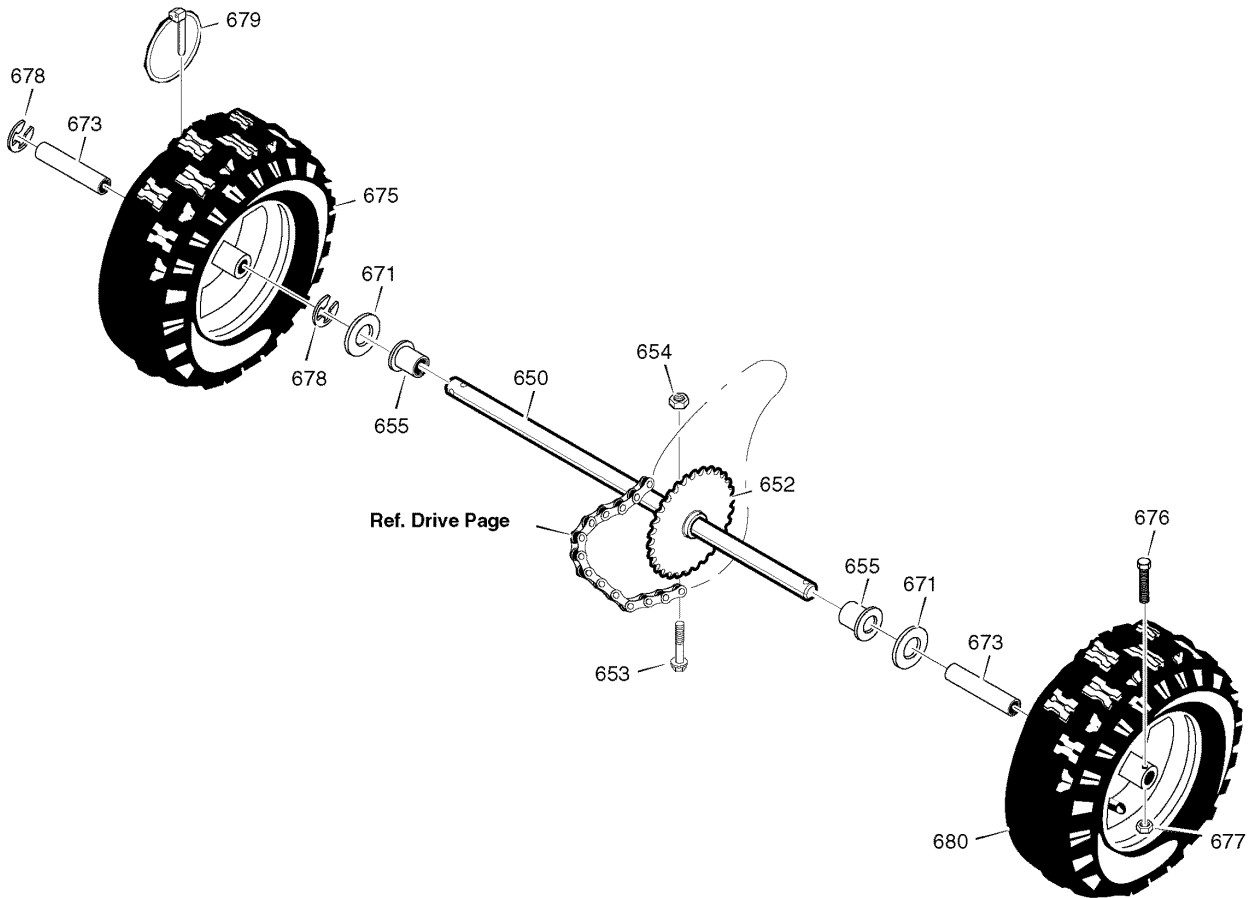
The above parts group applies to the following Mfg. Nos.:

1695361 - 6240810x54

Wheels

0023

**NOTE: Unless noted otherwise,
use the standard hardware torque
specification chart.**



The above parts group applies to the following Mfg. Nos.:

1695361 - 6240810x54

Wheels

REF NO	PART NO.	DESCRIPTION
650	1501562YZMA	SHAFT, AXLE
652	1501089MA	SPROCKET & HUB
653	01X193MA	SCREW, 1/4-20 X 1.75
654	15X145MA	NUT, 1/4-20 HEX NYLOCK
655	1501114MA	BEARING, AXLE
671	017X83MA	FLATWASHER
673	1501139MA	BUSHING, WHEEL
675	1501834MA	TIRE & RIM, RIGHT
676	577015MA	SCREW, 1/4-20 X 1.75 HH
677	15X145MA	NUT, 1/4-20 HEX NYLOCK
678	239MA	RING, RETAINER
679	73842MA	PIN, KLIK 0.25 X 1.38 DIA
680	1501835MA	TIRE & RIM, LEFT

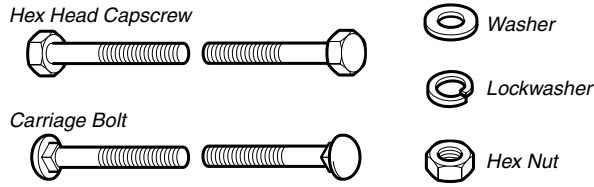
Footnotes

The above parts group applies to the following Mfg. Nos.:

1695361 - 6240810x54

Hardware Identification & Torque Specifications

Common Hardware Types

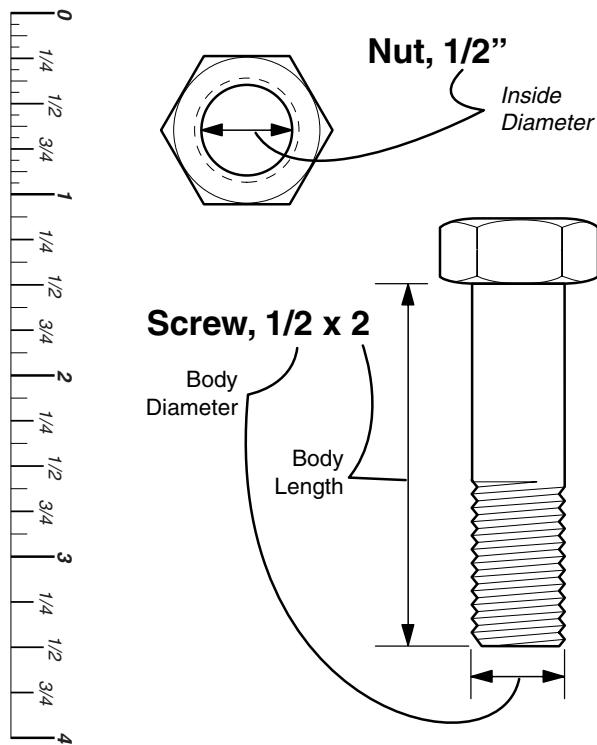


Standard Hardware Sizing

When a washer or nut is identified as 1/2", this is the *Nominal size*, meaning the *inside diameter* is 1/2 inch; if a second number is present it represents the *threads per inch*

When bolt or capscrew is identified as 1/2 - 16 x 2", this means the *Nominal size*, or *body diameter* is 1/2 inch; the second number represents the *threads per inch* (16 in this example, and the final number is the *body length* of the bolt or screw (in this example 2 inches long).

The guides and ruler furnished below are designed to help you select the appropriate hardware and tools.



Torque Specification Chart						
FOR STANDARD MACHINE HARDWARE (Tolerance ± 20%)						
Hardware Grade	No Marks SAE Grade 2		SAE Grade 5		SAE Grade 8	
	in/lbs ft/lbs	Nm.	in/lbs ft/lbs	Nm.	in/lbs ft/lbs	Nm.
8-32	19	2.1	30	3.4	41	4.6
8-36	20	2.3	31	3.5	43	4.9
10-24	27	3.1	43	4.9	60	6.8
10-32	31	3.5	49	5.5	68	7.7
1/4-20	66	7.6	8	10.9	12	16.3
1/4-28	76	8.6	10	13.6	14	19.0
5/16-18	11	15.0	17	23.1	25	34.0
5/16-24	12	16.3	19	25.8	27	34.0
3/8-16	20	27.2	30	40.8	45	61.2
3/8-24	23	31.3	35	47.6	50	68.0
7/16-14	30	40.8	50	68.0	70	95.2
7/16-20	35	47.6	55	74.8	80	108.8
1/2-13	50	68.0	75	102.0	110	149.6
1/2-20	55	74.8	90	122.4	120	163.2
9/16-12	65	88.4	110	149.6	150	204.0
9/16-18	75	102.0	120	163.2	170	231.2
5/8-11	90	122.4	150	204.0	220	299.2
5/8-18	100	136	180	244.8	240	326.4
3/4-10	160	217.6	260	353.6	386	525.0
3/4-16	180	244.8	300	408.0	420	571.2
7/8-9	140	190.4	400	544.0	600	816.0
7/8-14	155	210.8	440	598.4	660	897.6
1-8	220	299.2	580	788.8	900	1,244.0
1-12	240	326.4	640	870.4	1,000	1,360.0

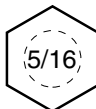
NOTES

- These torque values are to be used for all hardware excluding: locknuts, self-tapping screws, thread forming screws, sheet metal screws and socket head setscrews.
- Recommended seating torque values for locknuts:
 - for prevailing torque locknuts - use 65% of grade 5 torques.
 - for flange whizlock nuts and screws - use 135% of grade 5 torques.
- Unless otherwise noted on assembly drawings, all torque values must meet this specification.

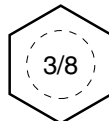
Wrench & Fastener Size Guide



1/4" Bolt or Nut
Wrench—7/16"



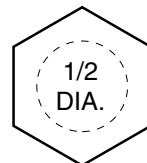
5/16" Bolt or Nut
Wrench—1/2"



3/8" Bolt or Nut
Wrench—9/16"



7/16" Bolt or Nut
Wrench (Bolt)—5/8"
Wrench (Nut)—11/16"



1/2" Bolt or Nut
Wrench—3/4"

