

- (en)** Parts List - Model 6210701x54NA
- (fr)** Liste de pièces - Modèle 6210701x54NA
- (de)** Teileliste - Modell 6210701x54NA
- (it)** Elenco pezzi - Modello 6210701x54NA
- (nl)** Lijst van onderdelen - Model 6210701x54NA
- (dk)** Rolle Liste - Model 6210701x54NA
- (no)** Deleliste - Modell 6210701x54NA
- (sv)** Reservdelsslista - Modell 6210701x54NA
- (fi)** Varaosaluettelo - Malli 6210701x54NA
- (es)** Lista de partes - Modelo 6210701x54NA
- (et)** Osa nimekiri - Mudel 6210701x54NA
- (el)** Κατάλογος μερών - πρότυπο 6210701x54NA
- (hu)** Tartalékalkatrészek - Modell 6210701x54NA
- (lv)** Pars caudex - Model 6210701x54NA
- (lt)** Dalių sąrašas - Modelis 6210701x54NA
- (pl)** Części zamienne - Model 6210701x54NA
- (cs)** Součástky výkaz - Model 6210701x54NA
- (sk)** Del seznam - Modelu 6210701x54NA
- (ru)** Список Частей - Модель 6210701x54NA



PRODUCT COMPONENTS	PAGES
Drive Components	4
Auger Components	8
Handle Assembly	10
Chute Guard	12
Decals	14
Torque Specification Chart	Inside Back Cover

Drive Components

REF NO	PART NO.	DESCRIPTION
1	1501812MA	Cover, Top
2	26X316MA	Screw
3	1501814MA	Base, Chute Rod
4	26X292MA	Screw
5	1501815MA	Cover, Chute Rod
6	790221	Primerbulb, Red
7	1501813MA	Bracket, Engine Chute
8	793006	Hose
9	780212MA	Screw
10	578408MA	Screw
11	1501724MA	Handle, Starter
12	----	Engine (Model # 1205020354E1)
13	01X215MA	Bolt
14	578109MA	Retainer
15	711627MA	Nut, Push Cap
17	760713MA	Wheel & Tire
18	71072MA	Washer
19	762280MA	Axle
20	71111MA	Nut
21	1502011E540MA	Frame, Motor Box
22	47792MA	Bolt
23	71007MA	Bolt
24	009x48MA	Bolt, Shoulder
25	762254MA	Bracket, Idler Arm
26	71044MA	Nut
27	762257MA	Pulley, V-Belt
28	762258MA	Bolt, Shoulder
29	762256MA	Pulley, Flat Idler
30	37X131MA	Belt
31	315312MA	Screw
32	762267MA	Guide, Belt
33	910828MA	Screw
34	71060MA	Washer
35	762255MA	Pulley
36	165X143MA	Spring
37	26X263MA	Screw
38	762288MA	Arm, Brake
39	762285MA	Clamp
40	312300MA	Nut
41	762287MA	Rod, Adjustment
42	762380MA	Guide, Belt
43	018X35MA	Lockwasher
44	1501919MA	Guide, Rope

Footnotes

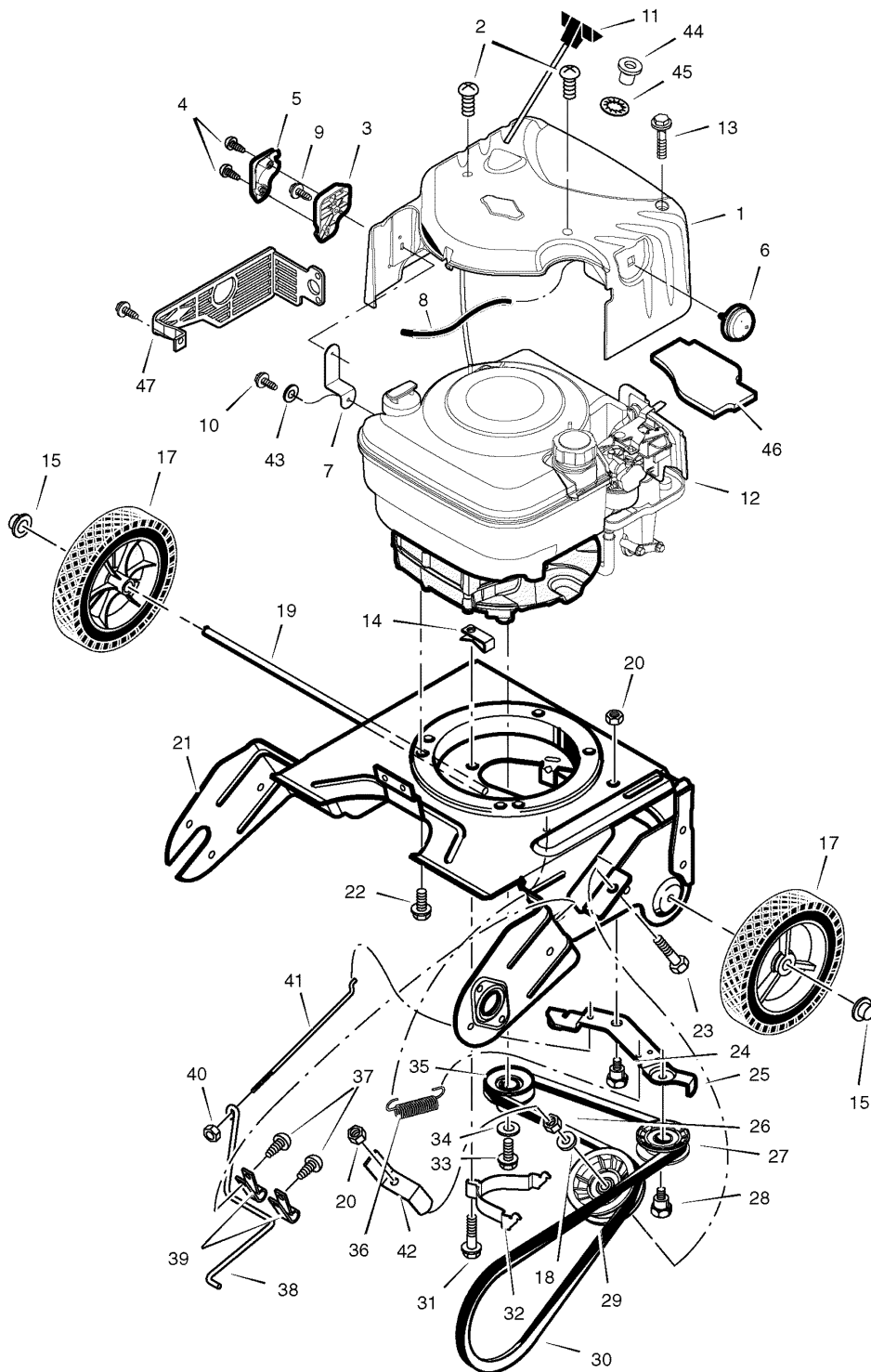
The above parts group applies to the following Mfg. Nos.:

6210701x54NA - Canadiana Single Stage Snow Thrower (2007)

Drive Components

NOTE: Unless noted otherwise,
use the standard hardware torque
specification chart.

0003



The above parts group applies to the following Mfg. Nos.:

6210701x54NA - Canadiana Single Stage Snow Thrower (2007)

Drive Components

REF NO	PART NO.	DESCRIPTION
45	028X84MA	Spring Grip Washer
46	1501920MA	Seal, Foam
47	1502130MA	Guard, Muffler
--	1741416	Book, Instruction

Footnotes

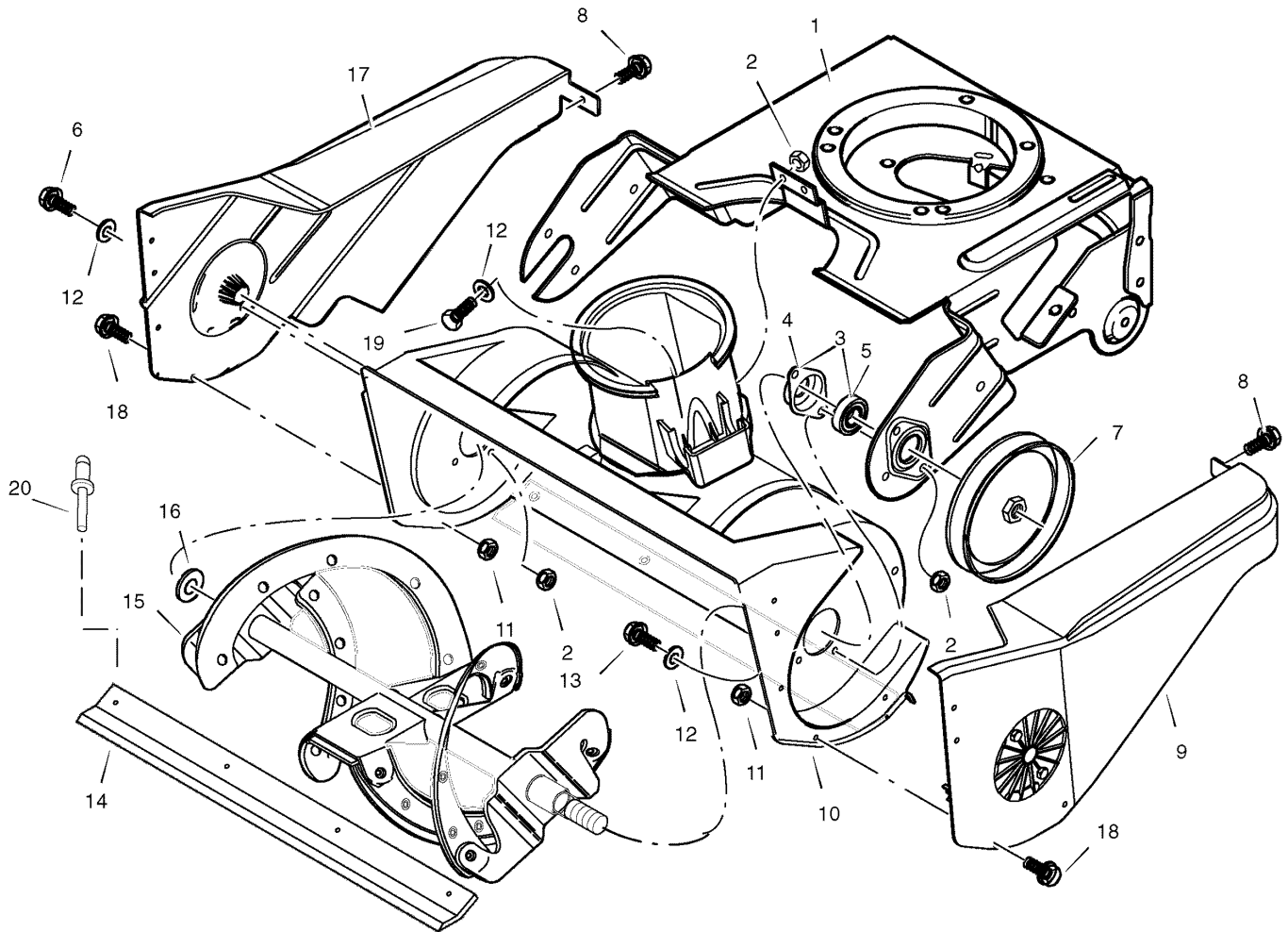
The above parts group applies to the following Mfg. Nos.:

6210701x54NA - Canadiana Single Stage Snow Thrower (2007)

Auger Components

NOTE: Unless noted otherwise,
use the standard hardware torque
specification chart.

0007



The above parts group applies to the following Mfg. Nos.:

6210701x54NA - Canadiana Single Stage Snow Thrower (2007)

Auger Components

REF NO	PART NO.	DESCRIPTION
1	1502011E540MA	Frame, Motor Box
2	15X143MA	Nut
4	580251MA	Retainer, Bearing
5	43846MA	Bearing
6	302628MA	Bolt
7	338965MA	Pulley, Auger
8	26X263MA	Screw
9	762277MA	Cover, Left Belt
10	1501927MA	Assembly, Auger Housing
11	312300MA	Nut
12	71067MA	Washer
13	579052MA	Screw
14	55323MA	Blade, Scraper
15	327072MA	Auger Assembly
16	580969MA	Washer
17	762278MA	Cover, Right
18	12342MA	Screw
19	302628MA	Bolt
20	577707MA	Rivet

Footnotes

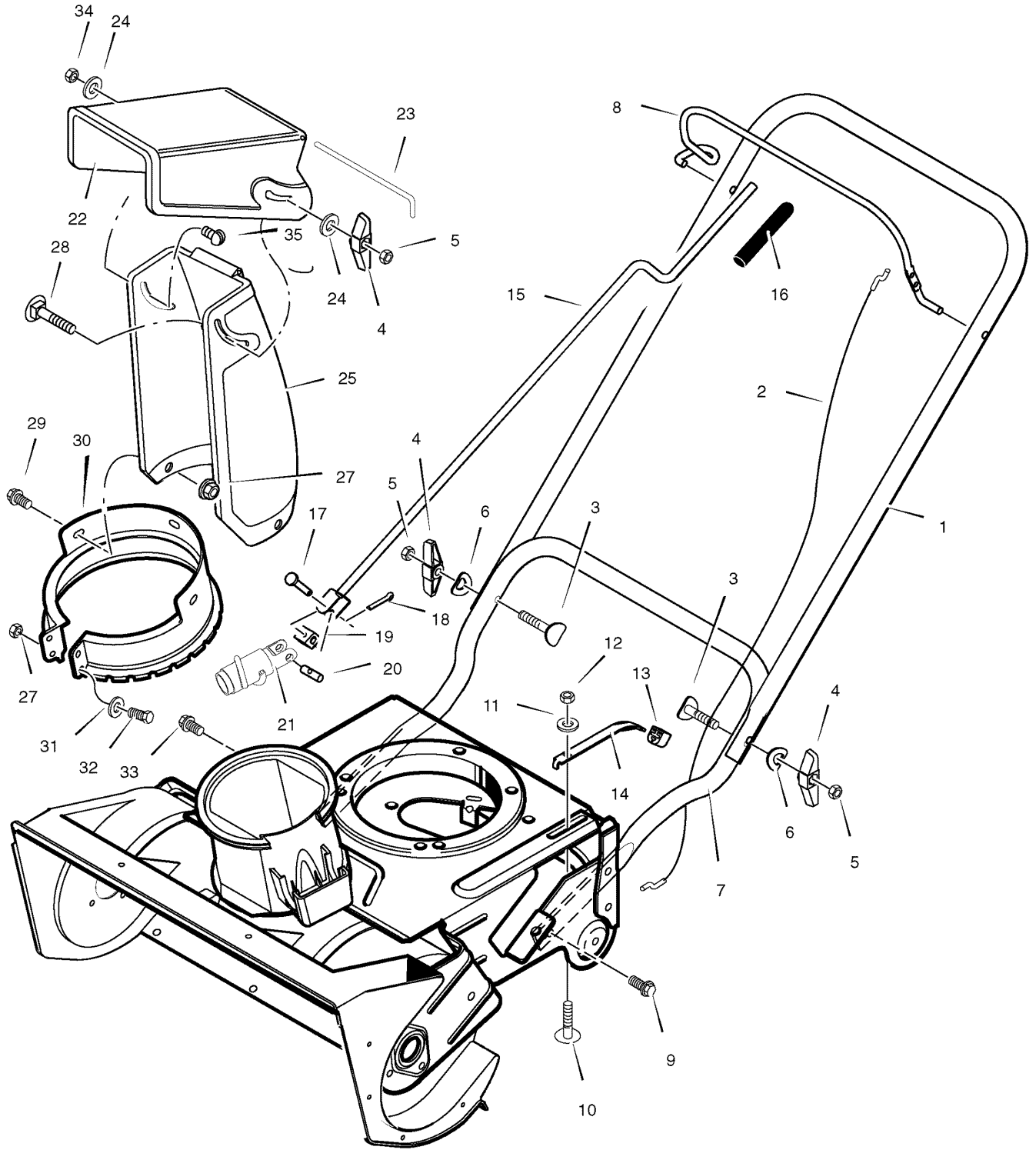
The above parts group applies to the following Mfg. Nos.:

6210701x54NA - Canadiana Single Stage Snow Thrower (2007)

Handle Assembly

0005

NOTE: Unless noted otherwise,
use the standard hardware torque
specification chart.



The above parts group applies to the following Mfg. Nos.:
6210701x54NA - Canadiana Single Stage Snow Thrower (2007)

Handle Assembly

REF NO	PART NO.	DESCRIPTION
1	762252E701MA	Handle, Upper
2	762259MA	Cable, Auger Drive
3	337584MA	Bolt
4	57171MA	Knob
5	71037MA	Nut
6	311936MA	Washer
7	762250E701MA	Handle, Lower
8	762251E701MA	Lever, Auger Drive
9	25x021MA	Screw, 5/16-18x.75
10	340715MA	Bolt
11	712123MA	Washer
12	780029MA	Nut
13	762281MA	Bushing, Tensioner
14	762282MA	Bracket, Cable Tensioner
15	762362MA	Rod, Crank
16	762289MA	Grip, Crank Rod
17	578309MA	Pin, Clevis
18	579493MA	Pin, Cotter
19	578063MA	Block, Universal Pivot
20	578060MA	Pin
21	585196MA	Gear, Worm
22	325847MA	Deflector
23	308931MA	Pin, Pivot
24	71071MA	Washer
25	334234MA	Chute, Discharge
27	15X143MA	Nut
28	302843MA	Bolt
29	313686MA	Screw
30	1501846MA	Ring, Chute
31	71067MA	Washer
32	302628MA	Bolt
33	25x021MA	Screw, 5/16-18x.75
34	71391MA	Locknut
35	578088MA	Screw

Footnotes

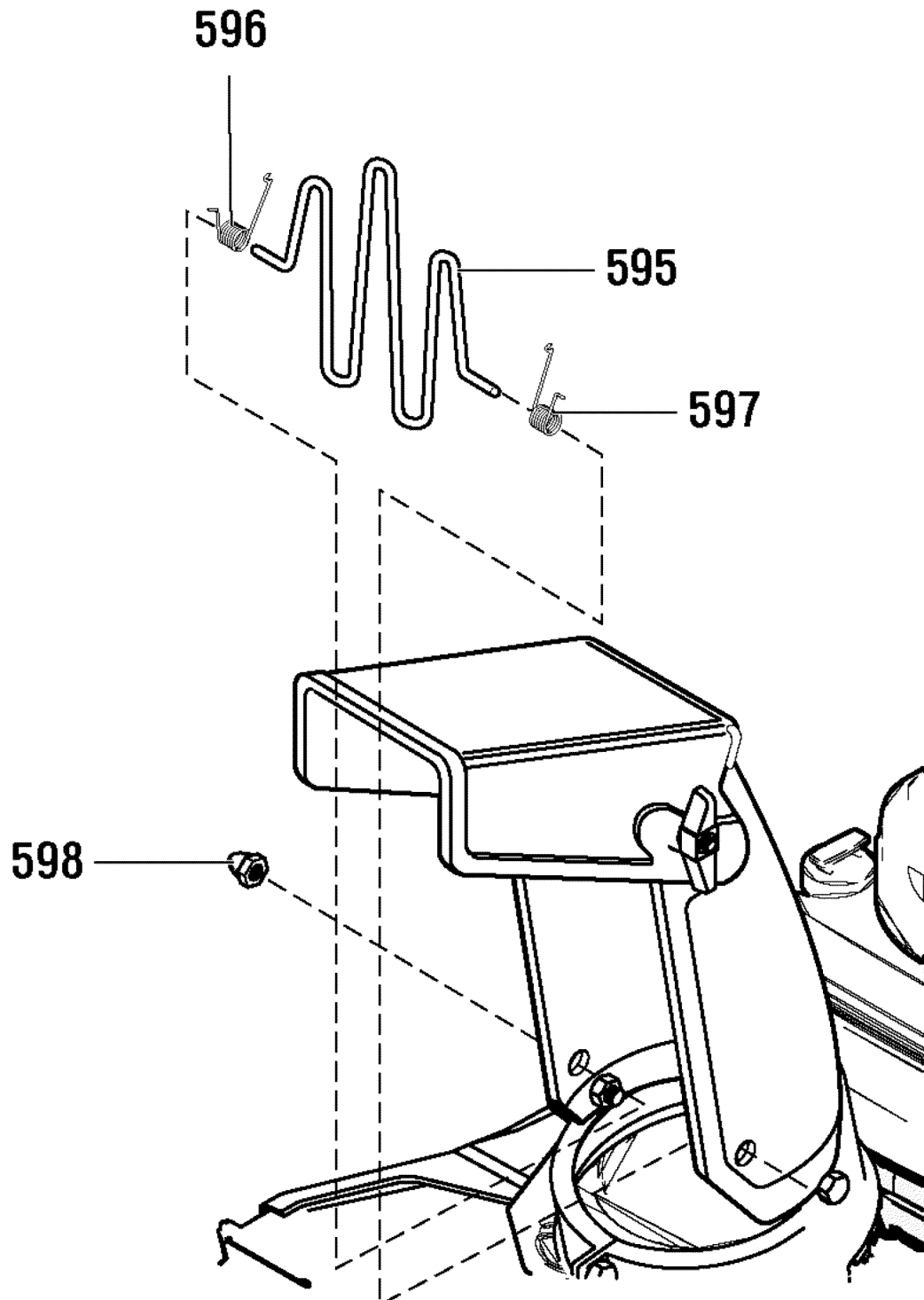
The above parts group applies to the following Mfg. Nos.:

6210701x54NA - Canadiana Single Stage Snow Thrower (2007)

Chute Guard

NOTE: Unless noted otherwise,
use the standard hardware torque
specification chart.

0009



The above parts group applies to the following Mfg. Nos.:

6210701x54NA - Canadiana Single Stage Snow Thrower (2007)

Chute Guard

REF NO	PART NO.	DESCRIPTION
595	311206MA	GUARD, WIRE CHUTE
596	51776MA	SPRING, TORSION
597	51777MA	SPRING, TORSION
598	49106MA	NUT, ACORN

Footnotes

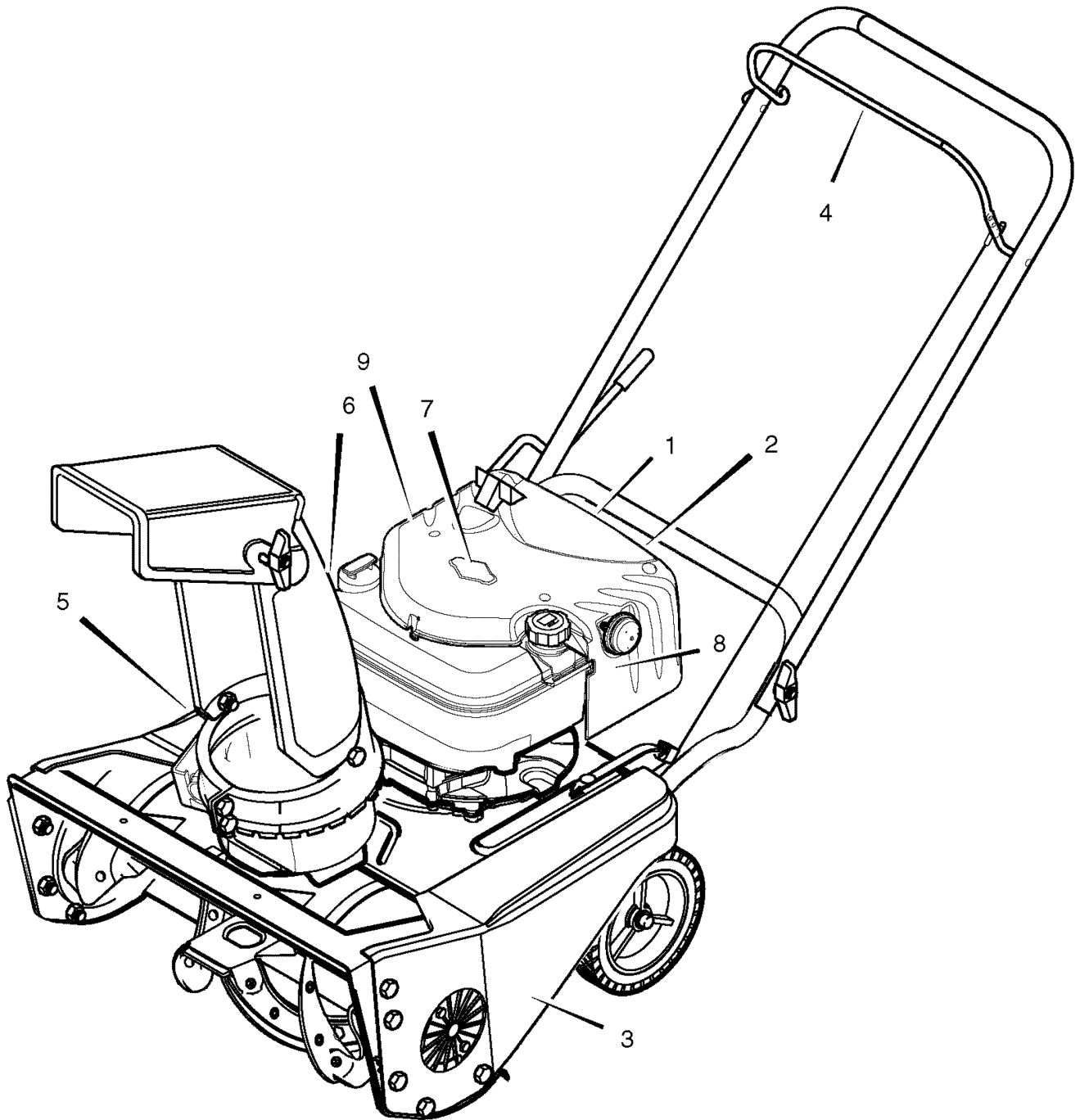
The above parts group applies to the following Mfg. Nos.:

6210701x54NA - Canadiana Single Stage Snow Thrower (2007)

Decals

NOTE: Unless noted otherwise,
use the standard hardware torque
specification chart.

0011



The above parts group applies to the following Mfg. Nos.:
6210701x54NA - Canadiana Single Stage Snow Thrower (2007)

Decals

REF NO	PART NO.	DESCRIPTION
1	1741365MA	Decal, 650/cm
2	48X5955MA	Decal, Choke
3	48X304MA	Decal, Belt Instruction (inside cover)
4	48X5998MA	Decal, Auger Control Lever
5	48X5995MA	Decal, Danger Auger (Foot)
6	48X5994MA	Decal, Danger Chute (Hand)
7	48X5533MA	Decal, Briggs & Stratton
8	48X5996MA	Decal, Primer Bulb
9	48X5999MA	Decal, Hot Surface

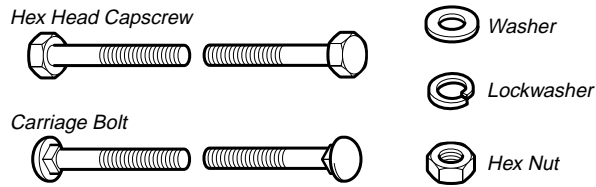
Footnotes

The above parts group applies to the following Mfg. Nos.:

6210701x54NA - Canadiana Single Stage Snow Thrower (2007)

Hardware Identification & Torque Specifications

Common Hardware Types

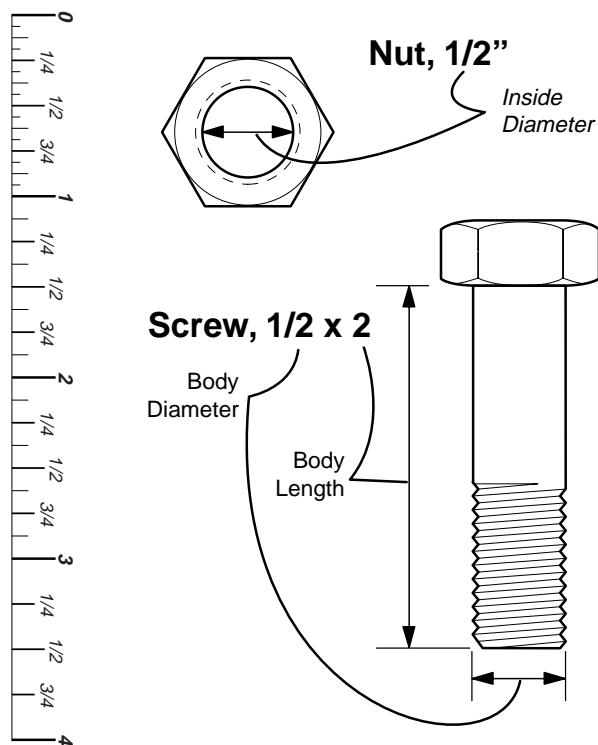


Standard Hardware Sizing

When a washer or nut is identified as 1/2", this is the *Nominal size*, meaning the *inside diameter* is 1/2 inch; if a second number is present it represents the *threads per inch*

When bolt or capscrew is identified as 1/2 - 16 x 2", this means the *Nominal size*, or *body diameter* is 1/2 inch; the second number represents the *threads per inch* (16 in this example, and the final number is the *body length* of the bolt or screw (in this example 2 inches long).

The guides and ruler furnished below are designed to help you select the appropriate hardware and tools.



Torque Specification Chart

FOR STANDARD MACHINE HARDWARE (Tolerance ± 20%)

Hardware Grade	No Marks SAE Grade 2		SAE Grade 5		SAE Grade 8	
	in/lbs ft/lbs	Nm.	in/lbs ft/lbs	Nm.	in/lbs ft/lbs	Nm.
8-32	19	2.1	30	3.4	41	4.6
8-36	20	2.3	31	3.5	43	4.9
10-24	27	3.1	43	4.9	60	6.8
10-32	31	3.5	49	5.5	68	7.7
1/4-20	66	7.6	8	10.9	12	16.3
1/4-28	76	8.6	10	13.6	14	19.0
5/16-18	11	15.0	17	23.1	25	34.0
5/16-24	12	16.3	19	25.8	27	34.0
3/8-16	20	27.2	30	40.8	45	61.2
3/8-24	23	31.3	35	47.6	50	68.0
7/16-14	30	40.8	50	68.0	70	95.2
7/16-20	35	47.6	55	74.8	80	108.8
1/2-13	50	68.0	75	102.0	110	149.6
1/2-20	55	74.8	90	122.4	120	163.2
9/16-12	65	88.4	110	149.6	150	204.0
9/16-18	75	102.0	120	163.2	170	231.2
5/8-11	90	122.4	150	204.0	220	299.2
5/8-18	100	136	180	244.8	240	326.4
3/4-10	160	217.6	260	353.6	386	525.0
3/4-16	180	244.8	300	408.0	420	571.2
7/8-9	140	190.4	400	544.0	600	816.0
7/8-14	155	210.8	440	598.4	660	897.6
1-8	220	299.2	580	788.8	900	1,244.0
1-12	240	326.4	640	870.4	1,000	1,360.0

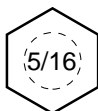
NOTES

- These torque values are to be used for all hardware excluding: locknuts, self-tapping screws, thread forming screws, sheet metal screws and socket head setscrews.
- Recommended seating torque values for locknuts:
 - for prevailing torque locknuts - use 65% of grade 5 torques.
 - for flange whizlock nuts and screws - use 135% of grade 5 torques.
- Unless otherwise noted on assembly drawings, all torque values must meet this specification.

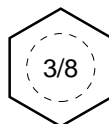
Wrench & Fastener Size Guide



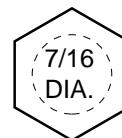
1/4" Bolt or Nut
Wrench—7/16"



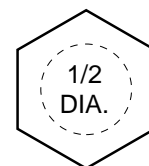
5/16" Bolt or Nut
Wrench—1/2"



3/8" Bolt or Nut
Wrench—9/16"



7/16" Bolt or Nut
Wrench (Bolt)—5/8"
Wrench (Nut)—11/16"



1/2" Bolt or Nut
Wrench—3/4"

