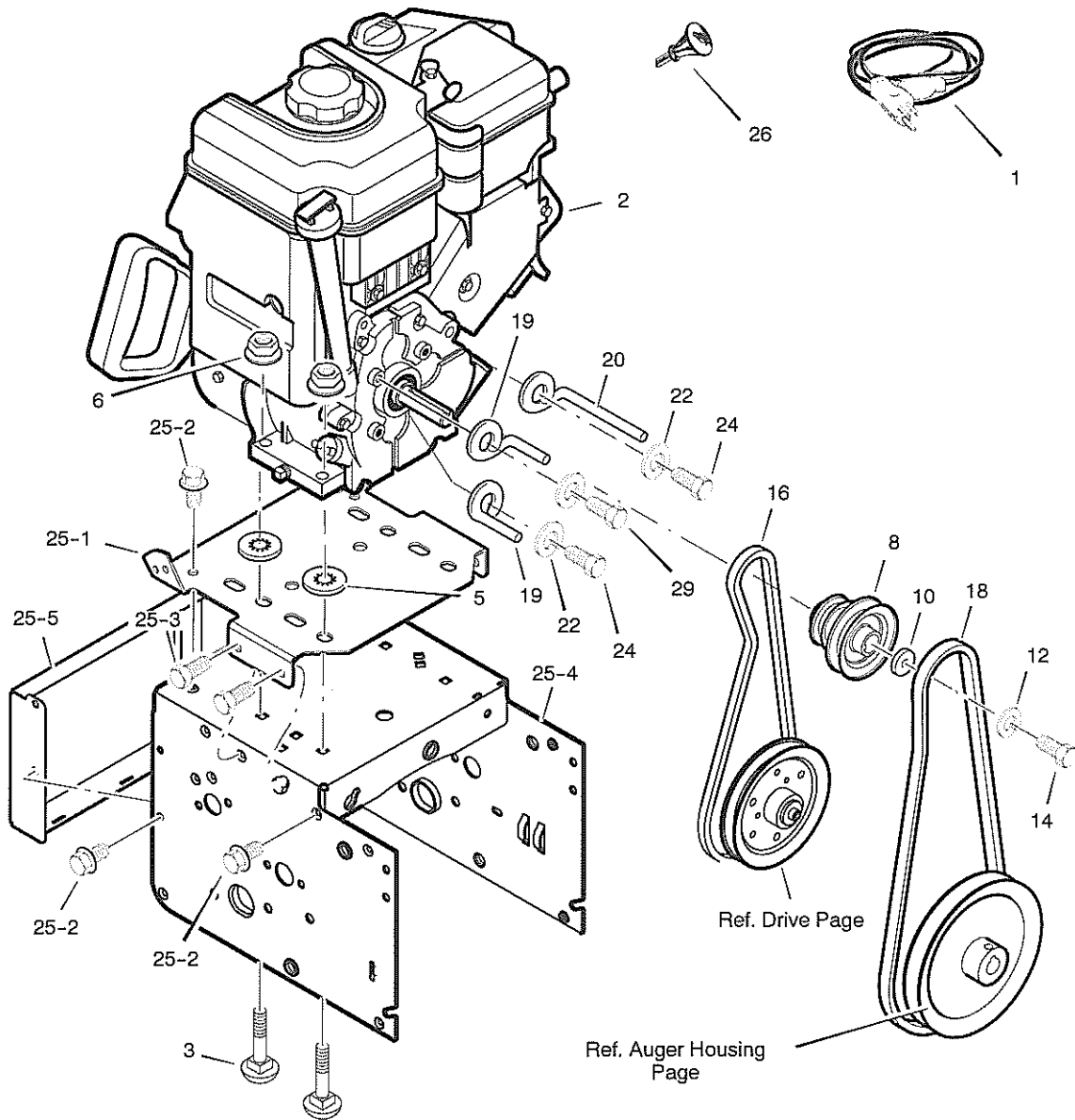


# MODEL 630953x54

# REPAIR PARTS ENGINE

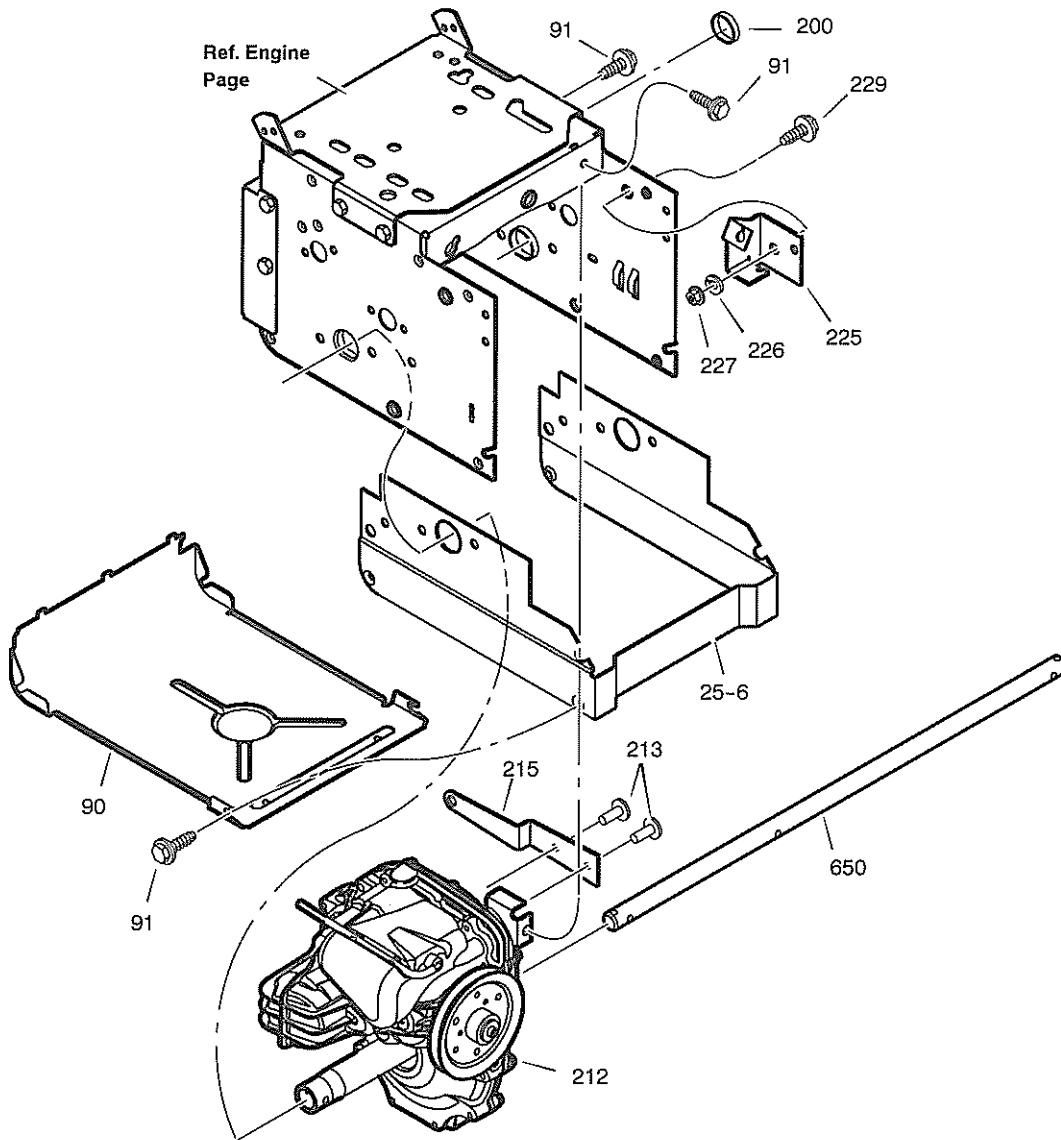


Key No.	Part No.	Description
1	1502114	CORD, STARTER
2	-----	ENGINE
3	002x97	BOLT, CARRIAGE 5/16-18
5	028x76	RETAINER, PUSH
6	710026	NUT, HEX 5/16-18
8	1501109	PULLEY, ENGINE
10	710247	WASHER
12	71063	WASHER .38ID
14	71015	SCREW, 3/8-24X1.00
16	37x127	BELT, HYDRO DRIVE
18	585416	BELT, AUGER V 4L
19	1501368	GUIDE, BELT
20	1501201	GUIDE, BELT

Key No.	Part No.	Description
22	71060	WASHER, SPTLK .31X.58X.08
24	710097	SCREW, 5/16-24X 0.75
25	-----	FRAME ASSEMBLY
25-1	1501062E245	PLATE, ENGINE MOUNT
25-2	310169	SCREW, TAP 1/4-20 X .63
25-3	25x020	SCREW, TAP 5/16-18 X .50
25-4	1501295E245	FRAME, MOTOR BOX
25-5	1501333E245	PANEL, BACK - HYDRO
26	1501214	KEY, ENGINE
29	06x117	SCREW
--	406986	OWNER'S MANUAL EURO
--	408553	OWNER'S MANUAL SCAN
--	408554	OWNER'S MANUAL EBLOC

# MODEL 630953x54

# REPAIR PARTS HYDRO DRIVE

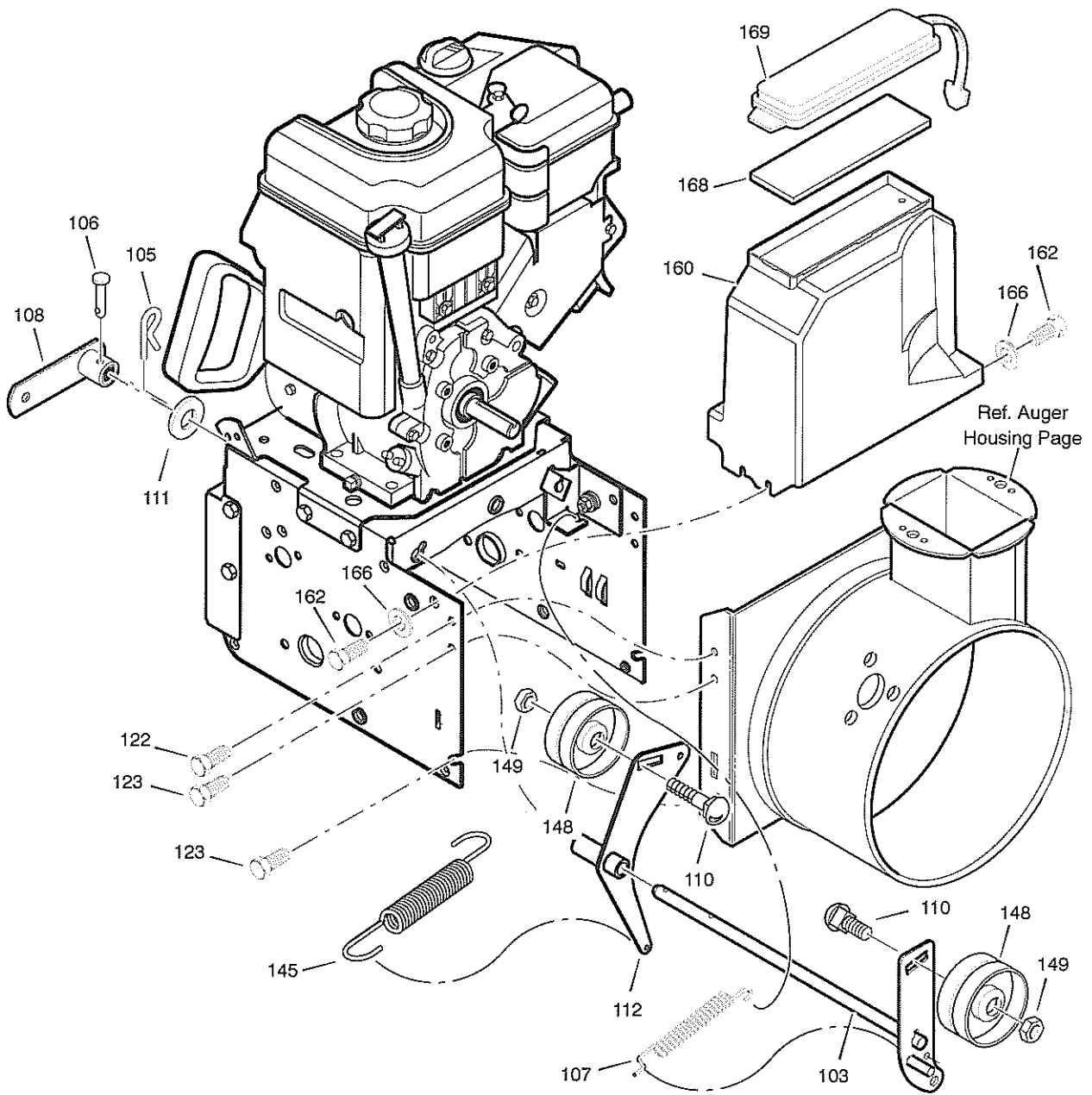


Key No.	Part No.	Description
90	1501311E717	COVER, BOTTOM
91	310169	SCREW, 1/4-20 X 0.62
25-6	1501334E245	FRAME, EXTENSION - HYDRO
200	1501496	PLUG, HEYCO
212	*	TRANSMISSION, HYDRO (314-0410) *
213	021X11	RIVET, BLIND
215	1501366	ARM, CONTROL EXTENSION
225	1501361	BRACKET, DRIVE CABLE
226	71063	WASHER
227	71045	NUT, HEX JAM - 3/8-16
229	025X19	SCREW
650	1501566	AXLE, WHEEL

\* For service on the HYDRO-GEAR Transmission, model number 1501353:  
CONTACT: Your local HYDRO-GEAR Authorized service dealer.

# MODEL 630953x54

# REPAIR PARTS FRAME



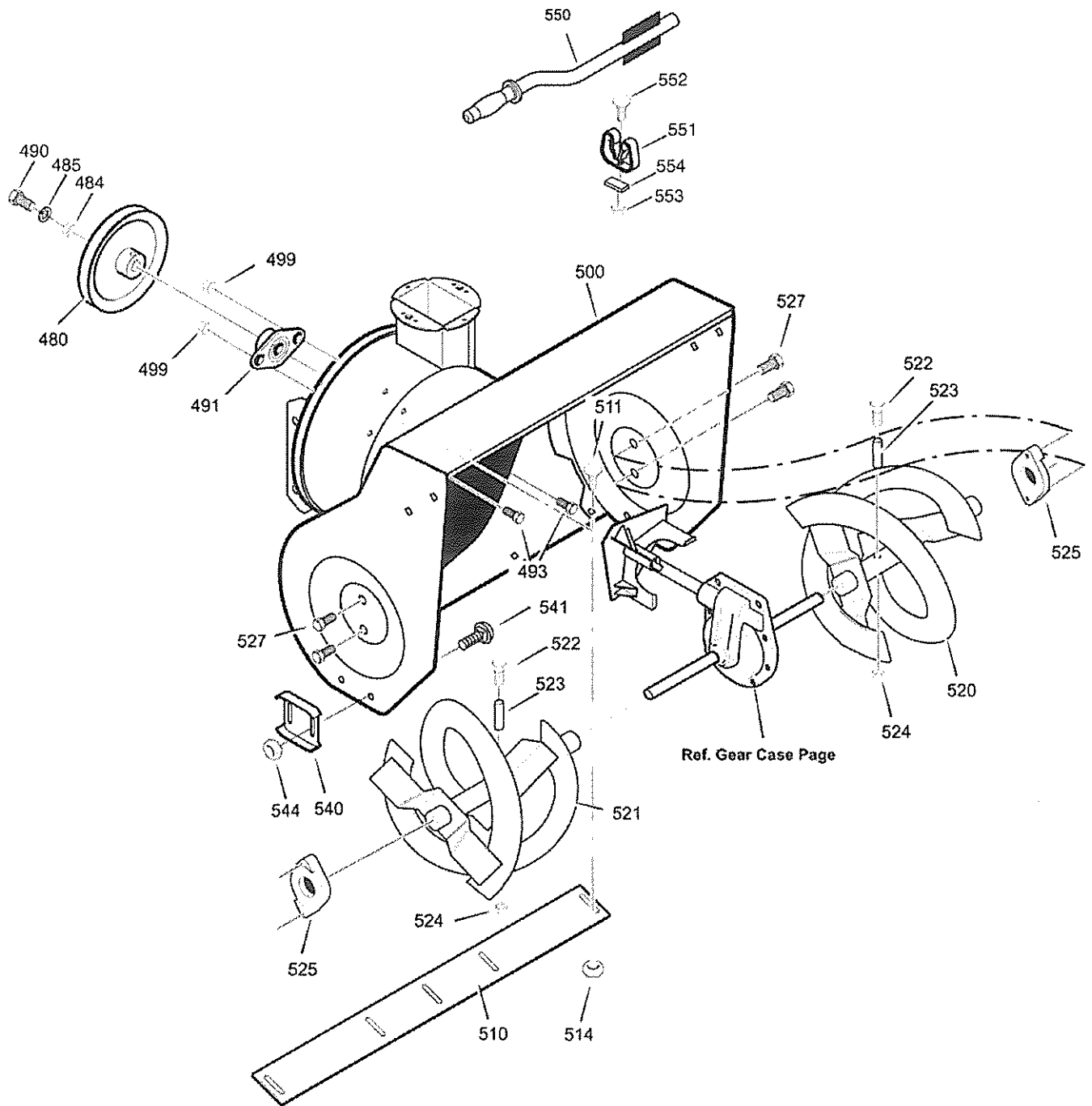
# MODEL 630953x54

# REPAIR PARTS FRAME

Key No.	Part No.	Description
103	1501782 YZ	IDLER ASSEMBLY, AUGER
105	711682	PIN, HAIR .38DIA X 1.64LG
106	761761	PIN, CLEVIS 3/16" DIA
107	165x159	SPRING, TENSION
108	761675 YZ	ASSY., SPRING ATTACH
110	585781	BOLT, 3/8-16 X 1.25 CARR.
111	711617	WASHER, FLAT
112	1501370 YZ	BRACKET, IDLER
122	25x020	SCREW, TAP 5/16-18 X 0.50
123	25x021	SCREW, TAP 5/16-18 X 0.75
145	165x155	SPRING, CLUTCH
148	1502120	PULLEY, IDLER
149	590	NUT, JAM 3/8-16
160	1502170	COVER, BELT
162	26X306	SCREW, TAP
167	71067	WASHER, FLAT
168	761187	PAD, FOAM
169	761167	LID, TOOL BOX

# MODEL 630953x54

# REPAIR PARTS AUGER HOUSING



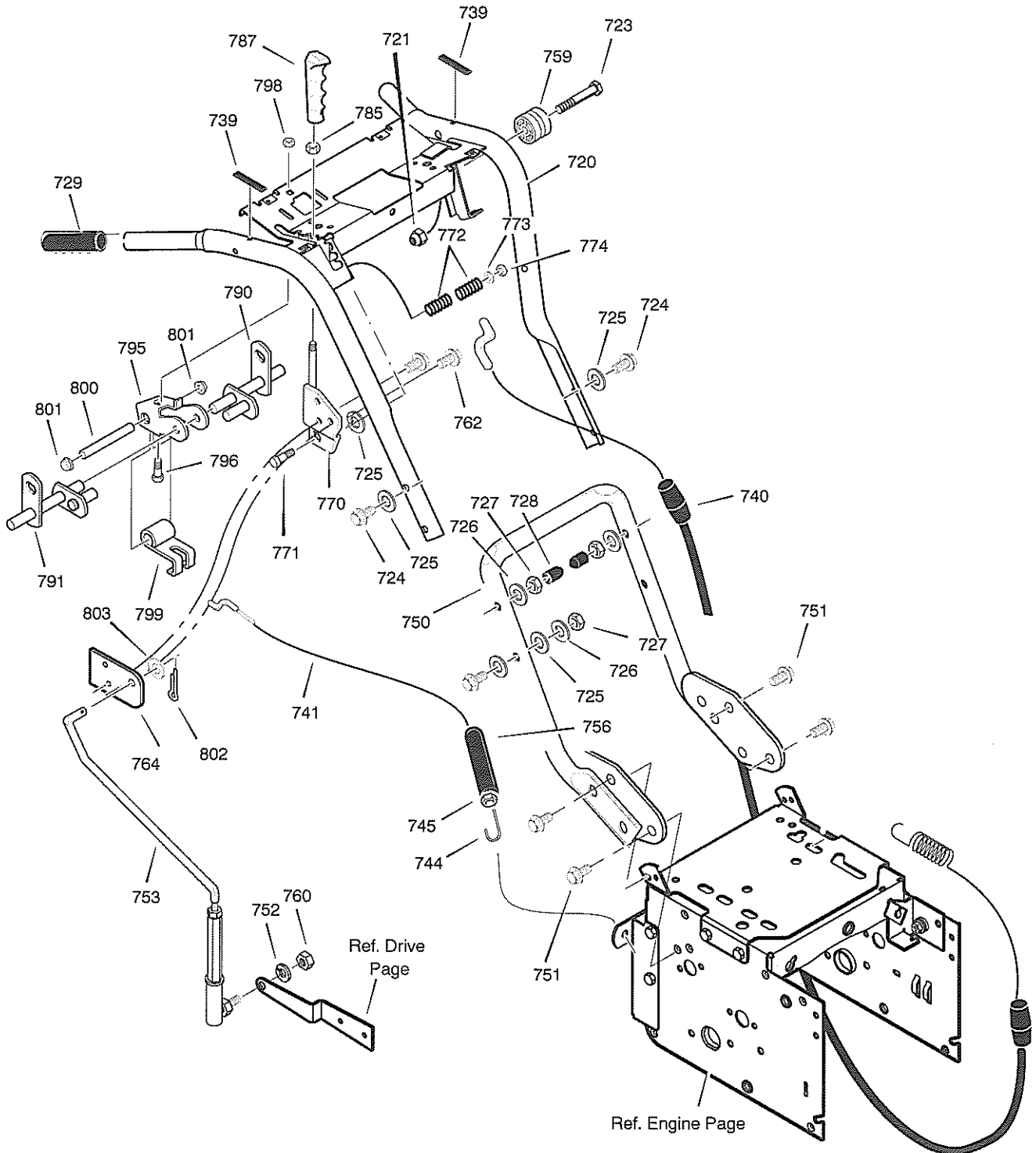
# MODEL 630953x54

# REPAIR PARTS AUGER HOUSING

Key No.	Part No.	Description
480	1740177	PULLEY, 4L 8.40 OD
484	19111507	WASHER
485	71060	WASHER
490	74950512	CAPSCREW
491	1740171	BEARING, FLANGE
493	199879	BOLT, HEX 5/16-18 X .50
499	710026	NUT, 5/16-18 HEXWDFLLK
500	1740120E245	HOUSING, ASSY
510	760654E736	BLADE, SCRAPER
511	340720	BOLT, 5/16-18 X .75
514	710026	NUT, 5/16-18
520	1740168E736	AUGER, ASSY, LH
521	1740167E736	AUGER, ASSY, RH
522	9624	SCREW, 1/4-20 X 1.75
523	3943	SPACER, SLEEVE
524	73800400	NUT, 1/4-20
525	1740169	BEARING, AUGER SHAFT
527	179582	SCREW, 5/16-18 X .075
540	1740176E736	SKID, HEIGHT ADJUST
541	577400	BOLT, 5/16-18 X .75
544	710026	NUT, 5/16-18
550	1501576	BRUSH, CLEANOUT
551	1501672	CLIP, RETAINER
552	06x115	SCREW
553	15x146	NUT
554	578063	BLOCK
--	1501216	KIT, SHEAR BOLT

# MODEL 630953x54

# REPAIR PARTS HANDLE



# MODEL 630953x54

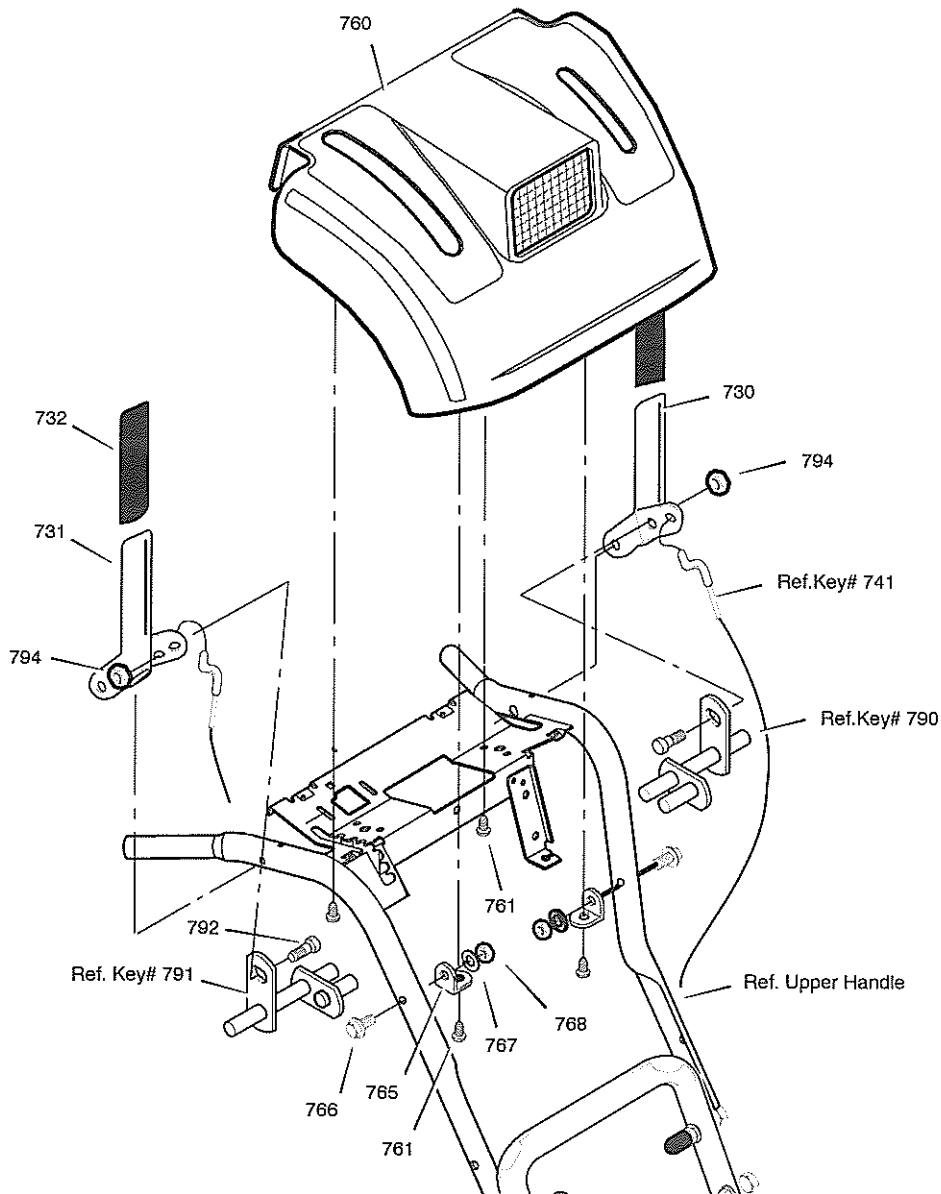
# REPAIR PARTS HANDLE

Key No.	Part No.	Description
720	1501381E717	ASSY., HANDLE
721	15x116	NUT, HEX NYLOCK
723	01x129	BOLT
724	7288	SCREW
725	71072	WASHER
726	71062	WASHER
727	71044	NUT
728	7289	STOP, PLASTIC
729	337399	GRIP, HANDLE
739	4049	BUMPER
740	1501363	CABLE, DRIVE
741	1501451	CABLE, AUGER
744	1673	SPRING, AUGER CLUTCH
745	15x145	NUT, HEX - 1/4-20
750	1501449E717	HANDLE, LOWER
751	25x021	SCREW
753	1501465	ASSEMBLY, ROD
759	579860	SPOOL, CABLE
756	308146	BOOT, SPRING
760	71042	NUT, 5/16-24
762	310169	SCREW 1/4-20X0.63
764	1501367 YZ	BRACKET, CONTROL
770	1501375	BRACKET, SHIFT
771	01x157	SCREW
772	50786	SPRING
773	71072	WASHER
774	71046	NUT, HEX, 3/8-16
785	71045	NUT, HEX, 3/8-16
787	304728	KNOB, SHIFT
790	578926E701	ROD, ASSY LH
791	578924E701	ROD, ASSY RH
795	579002	BRACKET, CAM
796	002x53	SCREW
798	71038	NUT, NYLOCK
799	8417	CAM LOCK
800	584673	PIN, SPRING PIVOT
801	73664	NUT, PUSH ON
802	71081	PIN, COTTER
803	71071	WASHER



# MODEL 630953x54

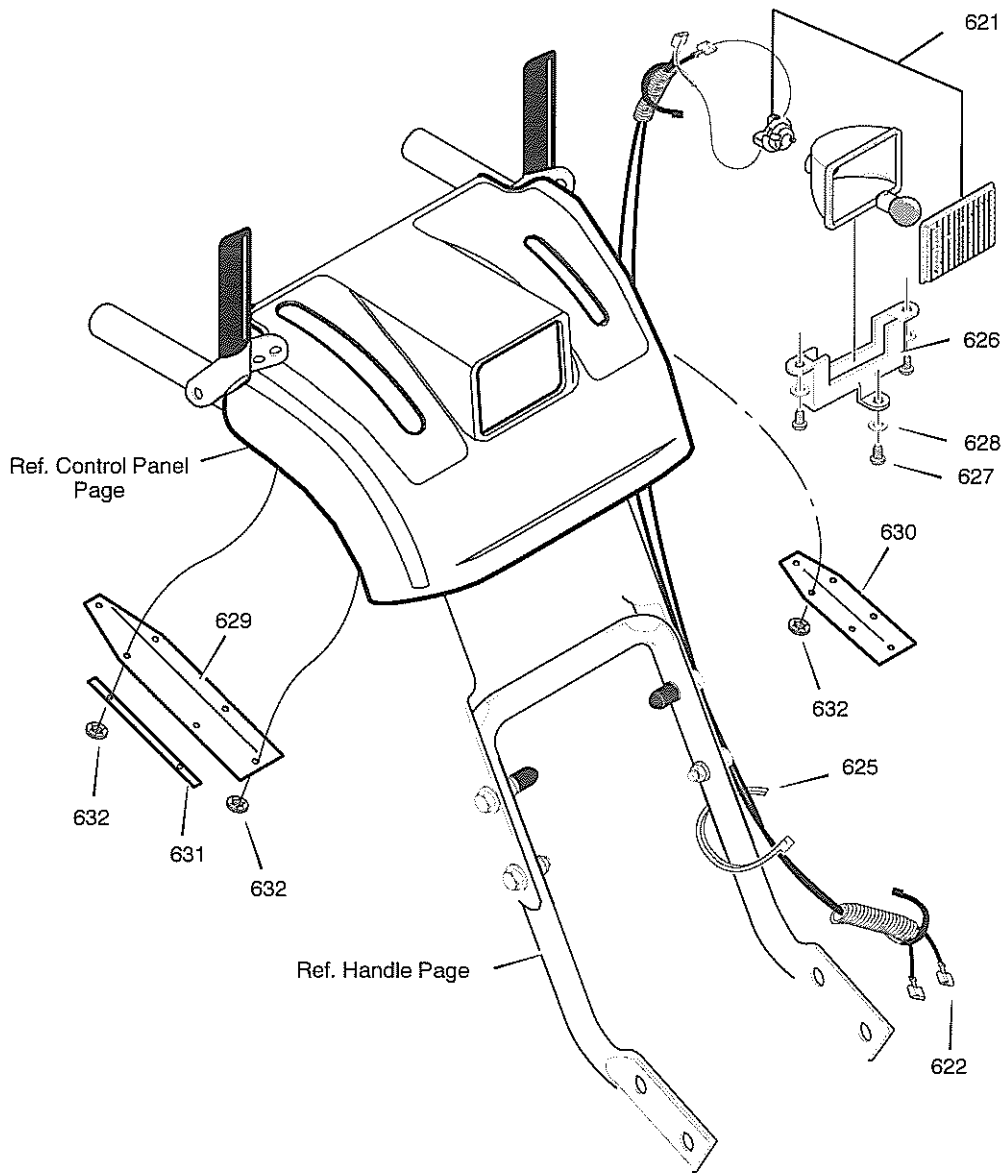
# REPAIR PARTS CONTROL PANEL



Key No.	Part No.	Description	Key No.	Part No.	Description
730	1501358E717	CLUTCH HANDLE LH	766	302900	SCREW, 5/16-18 X 1.75
731	1501357E717	CLUTCH HANDLE RH	767	71060	WASHER
732	337380	GRIP, CLUTCH LEVER	768	15x144	NUT, 5/16-18
760	1501486	PANEL, CONTROL	792	905531	BOLT, 1/4-20 X 0.50
761	316042	SCREW	794	908913	NUT, 1/4-20
765	578866E717	BRACKET, PANEL			

# MODEL 630953x54

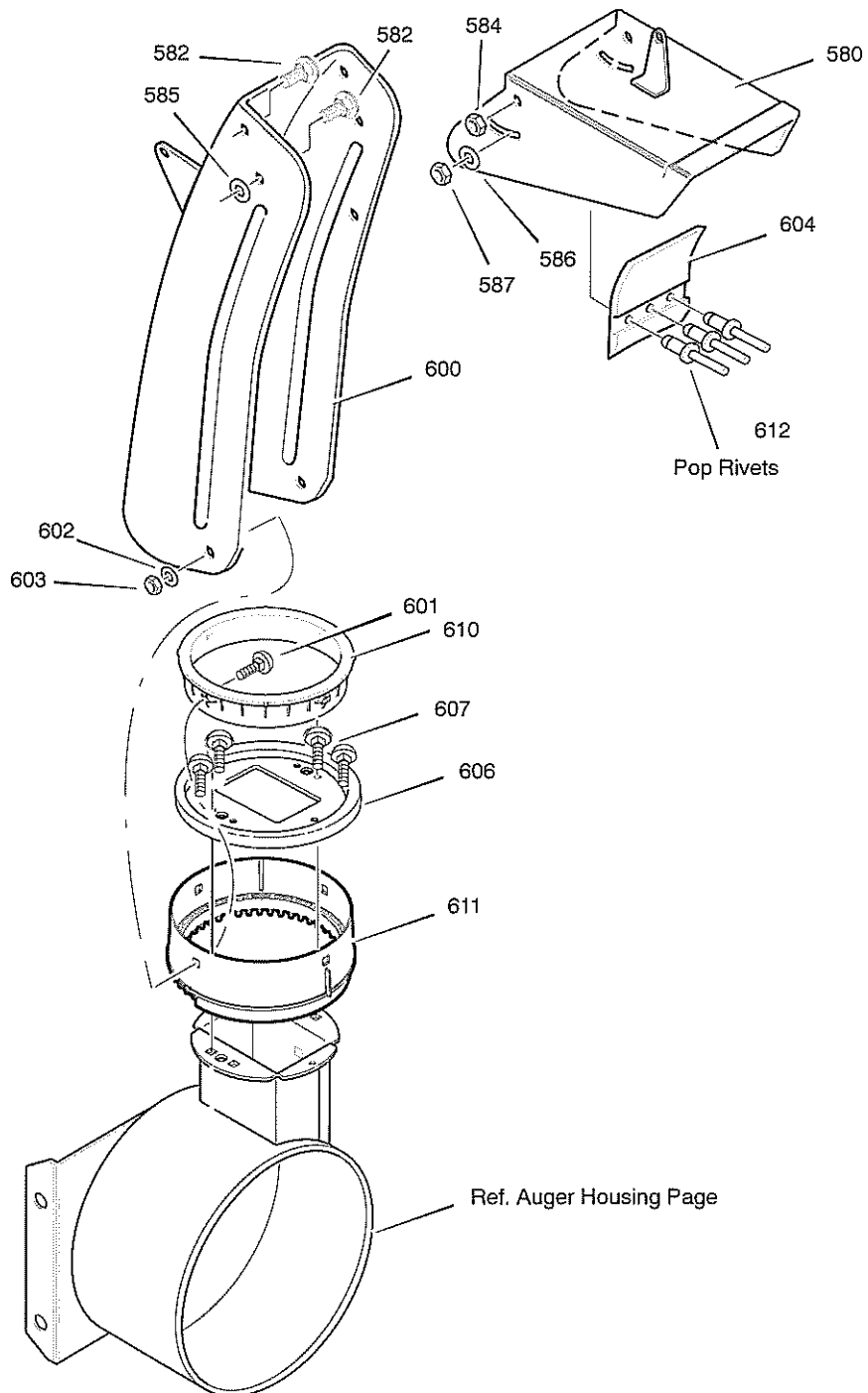
# REPAIR PARTS HEADLIGHT



Key No.	Part No.	Description
621	762343	LIGHT, HALOGEN
622	1501455	HARNESS, WIRE
625	071372	TIE, CABLE
626	578921	BRACKET, LIGHT
627	901696	SCREW #8 X .50
628	901736	WASHER, FLAT
629	1501401	COVER
630	1501402	COVER
631	1501330	FRAME
632	028x79	NUT, PUSH

# MODEL 630953x54

# REPAIR PARTS DISCHARGE CHUTE



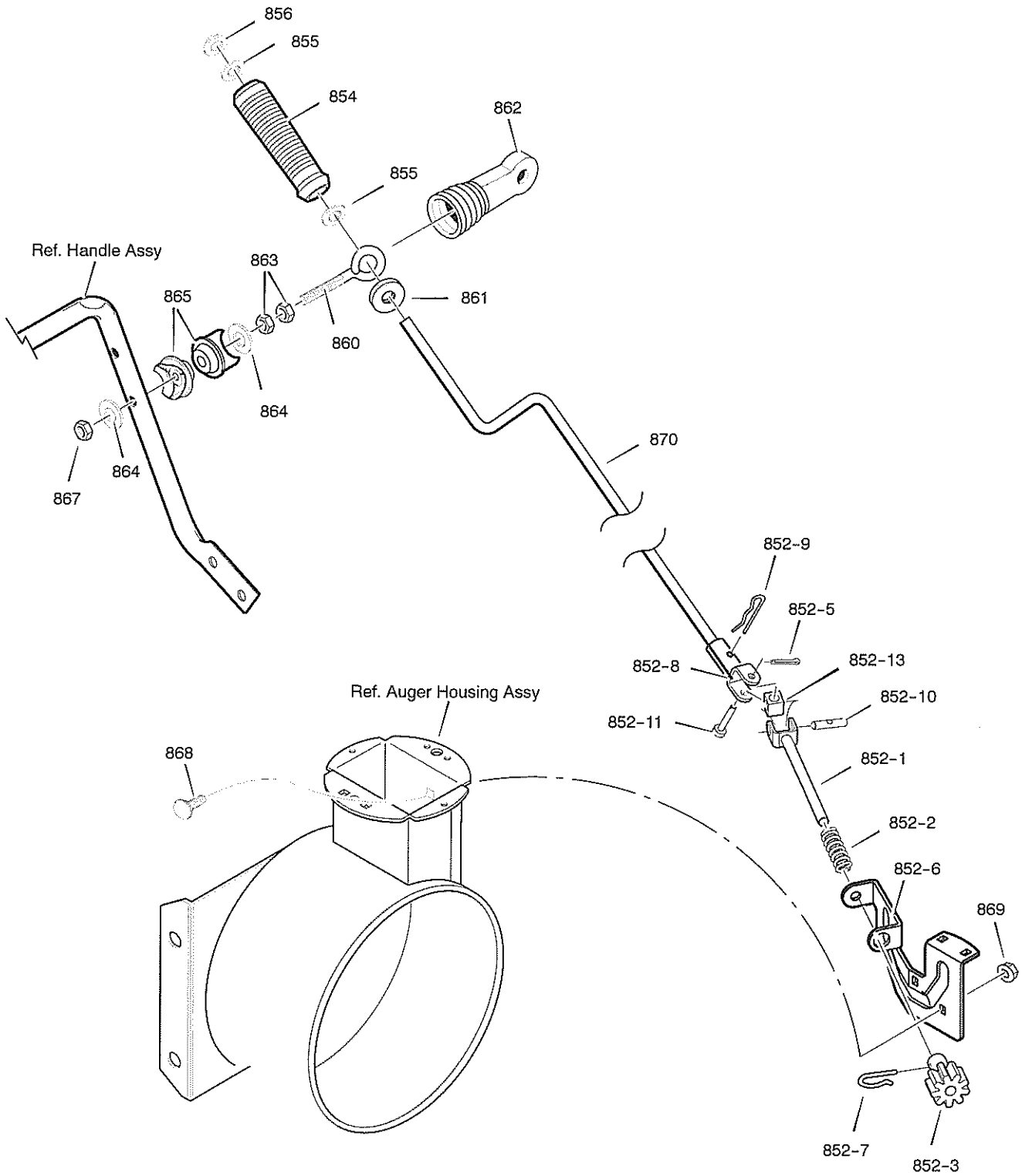
# MODEL 630953x54

# REPAIR PARTS DISCHARGE CHUTE

Key No.	Part No.	Description
580	761168E701	CHUTE, UPPER W/REMOTE
582	72270506	SCREW, 5/16-18 X 0.75
584	71038	NUT
586	6711	WASHER, PLASTIC
587	71038	NUT
600	761329E701	CHUTE, LOWER W/REMOTE
601	2x100	BOLT
602	71071	WASHER, FLAT
603	71038	NUT
604	762322	FLAP
606	1501932 YZ	CHUTE COLLAR
607	405024	BOLT
610	337227	RETAINER, RING INNER
611	1501282	RETAINER, RING OUTER
612	178775	Pop Rivet

# MODEL 630953x54

# REPAIR PARTS CHUTE ROD



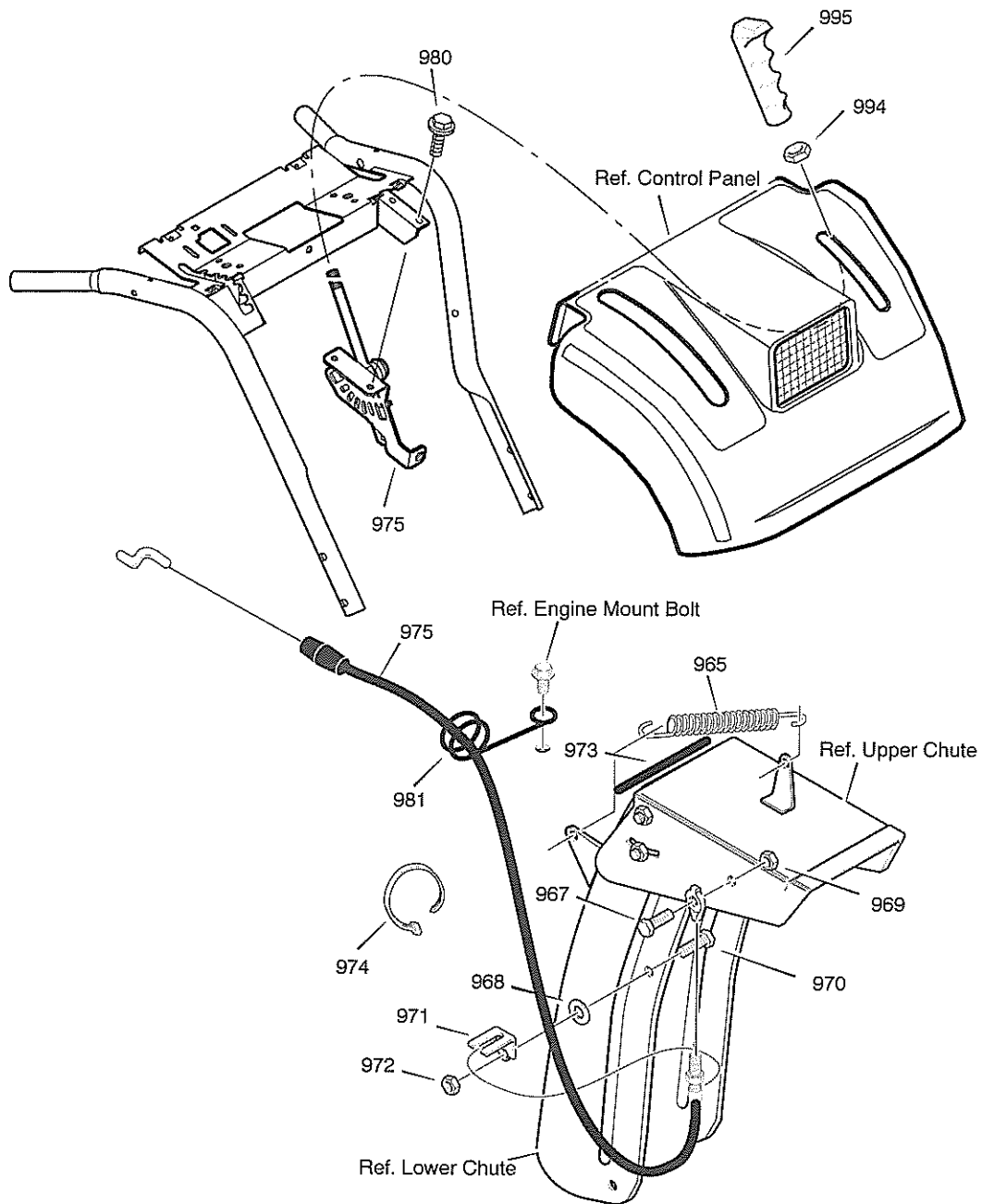
# MODEL 630953x54

# REPAIR PARTS CHUTE ROD

Key No.	Part No.	Description
852-1	1501533 YZ	ASSEMBLY, YOKE & ROD
852-2	164x37	SPRING
852-3	1501067	GEAR, CHUTE ROTATION 9T
852-5	579493	PIN, COTTER
852-6	1501306E717	BRACKET, CHUTE GEAR
852-7	1501293	PIN, HAIR
852-8	1501075 YZ	ASSEMBLY, YOKE ADAPTER YZ
852-9	711682	PIN, HAIR
852-10	578060	PIN, UNIVERSAL JOINT
852-11	578309	PIN, CLEVIS
852-13	578063	HOUSING, UNIVERSAL
854	307399	KNOB, SLEEVE
855	309312	FLATWASHER
856	73664	NUT, PUSH ON 3/8"
860	1501456	EYE BOLT 3/8-16X6.50
861	148	GROMMET, EYE BOLT
862	1501457	BOOT, EYE BOLT
863	71045	NUT, 3/8-16 HEXJAM
864	71072	FLATWASHER .406X.81X.066
865	309344	ADAPTER, BOOT
867	71046	NUT, 3/8-16 HEXNYL
868	002x98	BOLT, CARRIAGE 1/4-20 X 1.00
869	73800400	NUT, 1/4-20
870	1501074 YZ	CRANK, ASSY CHUTE

# MODEL 630953x54

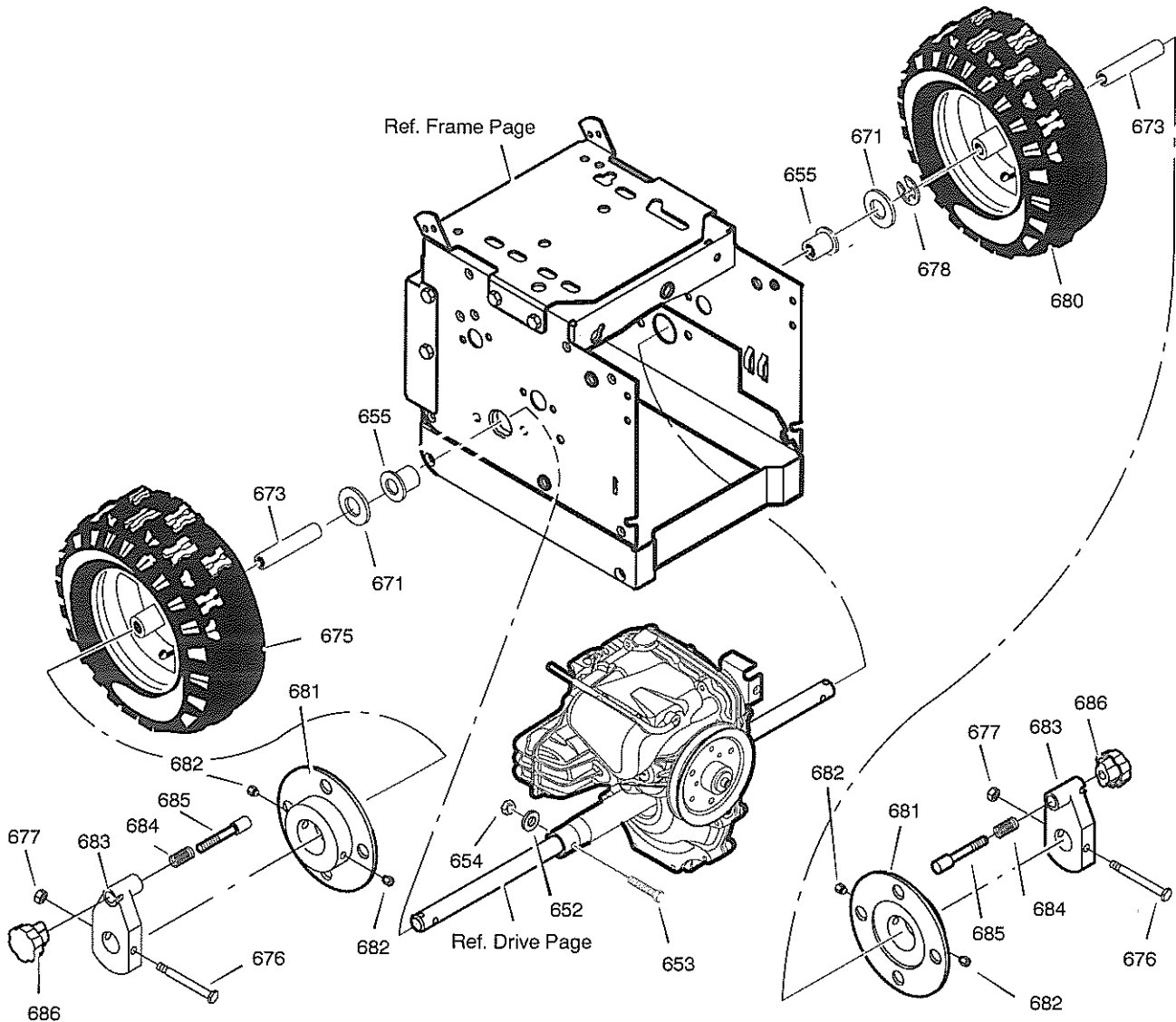
# REPAIR PARTS REMOTE CONTROL



Key No.	Part No.	Description	Key No.	Part No.	Description
965	318468	TENSION SPRING	973	1001221	TRIM STRIP, BLACK
967	310088	BOLT, SHOULDER	974	071372	TIE, CABLE
968	73787	FLATWASHER	975	1501393	CABLE, CHUTE DEFLECTOR
969	15x143	NUT	980	313676	SCREW
970	313676	SCREW, 5/16-18 X 0.75	981	780220	WIRE FORM, CHUTE CABLE
971	306447 YZ	BRACKET, CABLE CHUTE	994	71045	NUT, 3/8-16
972	71391	NUT, 5/16-18	995	304728	KNOB, SHIFT

# MODEL 630953x54

# REPAIR PARTS WHEELS



Key No.	Part No.	Description
652	3943	SPACER
653	01x193	SCREW, 1/4-20X1.75
654	15x145	NUT, 1/4-20
655	1501114	BEARING, AXLE
671	712120	FLATWASHER
673	1501138	BUSHING, WHEEL
675	1501836	TIRE & RIM, RIGHT
676	73839	SCREW, 1/4-20X2.25
677	15x145	NUT, 1/4-20

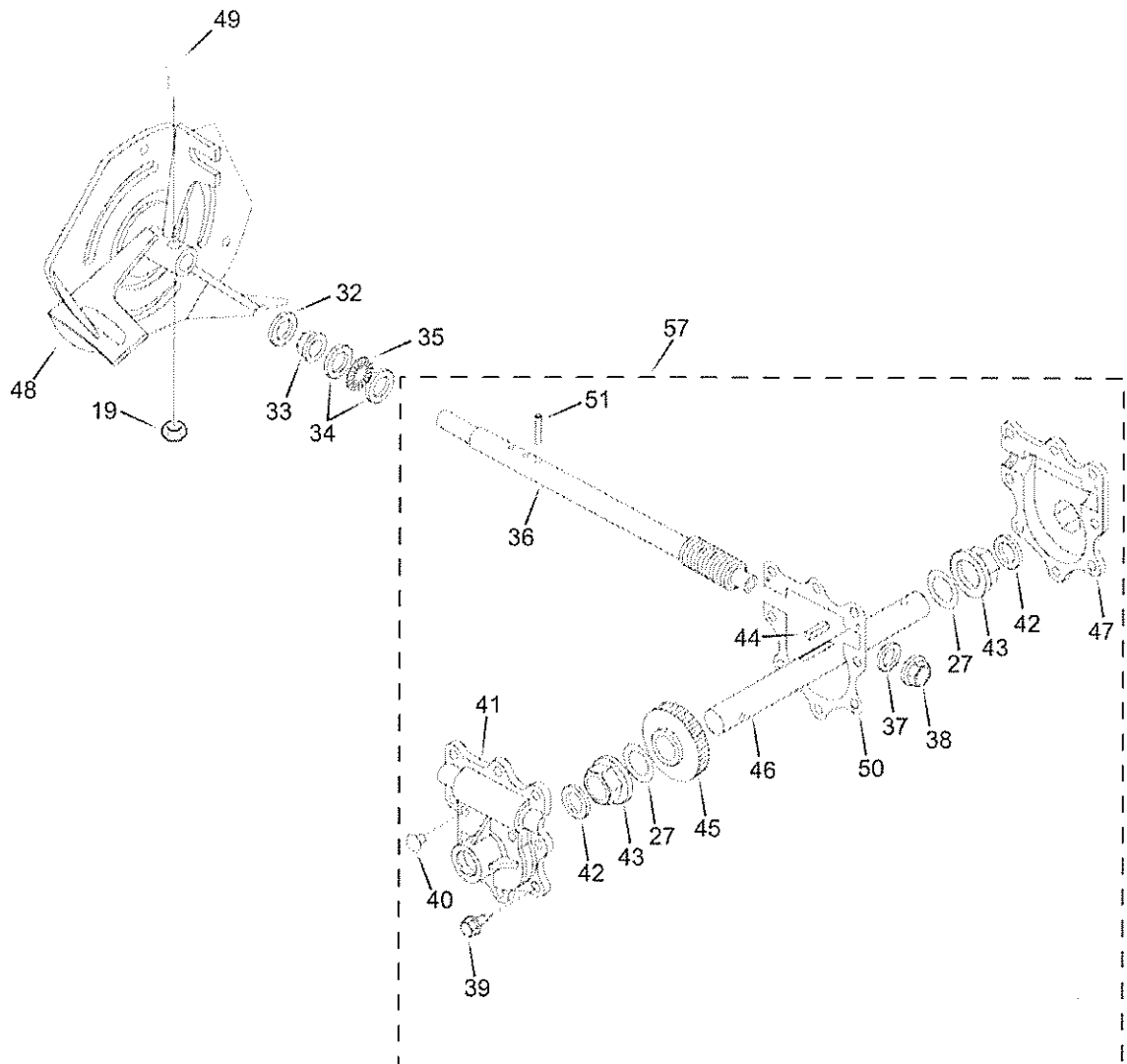
Key No.	Part No.	Description
678	239	RING, RET
680	1501837	TIRE & RIM, LEFT
681	1501032E	DISC, WHEEL
682	2001066	SCREW
683	1501857	HUB, WHEEL LOCK
684	164X34	SPRING *
685	1501856 YZ	PIN, LOCK *
686	1501855	KNOB *

\* NOTE: These parts are included with key 683.



# MODEL 630953x54

# REPAIR PARTS GEAR CASE



Key No.	Part No.	Description	Key No.	Part No.	Description
19	73800400	NUT, HEX LOCK 1/4-20	41	1740307	HOUSING, GEARCASE, RH
27	1740303	WASHER, THRUST, 1"	42	1740305	SEAL, OIL
32	1740292	O-RING	43	1740304	BUSHING, FLANGE, 1"
33	1740293	BUSHING, FLANGE 3/4	44	1740300	KEY, SQUARE 1/4 X 1/4 X 7/8
34	1740295	WASHER, THRUST 3/4	45	1740302	GEAR, WORM
35	1740294	BEARING, THRUST 3/4	46	1740301	SHAFT, AUGER
36	1740297	SHAFT, IMPELLER	47	1740290	HOUSING, GEARCASE, LH
37	1740298	WASHER, THRUST 5/8	48	1740170E736	IMPELLER ASSEMBLY
38	1740299	BUSHING, FLANGE 5/8	49	1740426	SCREW, HEX HEAD 1/4-20 X 1-5/8
39	150078	SCREW, HEX HEAD 5/16-18 x 3/4	50	1740306	GASKET, GEARCASE
40	1740308	PLUG, CASE	51	1740296	PIN, ROLL 3/16 X 1-1/8
			57	1740181	GEARCASE ASSEMBLY COMPLETE